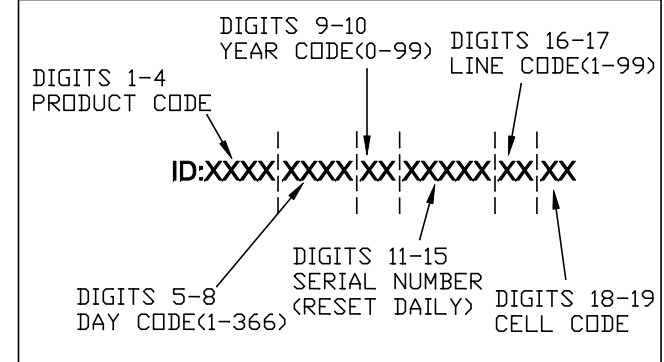


**ID No. FORMAT**



**FONT INFORMATION**

SIZE	FONT	SIZE mm
CRM FSK 433.92 MHz RX ONLY	ARIAL NARROW - BOLD	1.8
SW: V1.0.0	ARIAL NARROW - BOLD	1.8
HW: V3.4.0	ARIAL NARROW - BOLD	1.8
SCHRADER ELECTRONICS	ARIAL NARROW - BOLD	1.8
SEL P/N: 70503657	ARIAL NARROW - BOLD	1.8
FCCID: MRXCR4	ARIAL NARROW - BOLD	1.8

**MATERIAL INFORMATION**

BLANK LABEL No.: 20546564
MATERIAL: WOODFREE PAPER
FINISH: GLOSS WHITE POLYESTER FILM
COLOUR: WHITE
TEXT: BLACK
INK DETAILS: 64mm x 360m TR6070 GRADE RESIN RIBBON

- NOTES:**
1. ALL DIMENSIONS IN mm
  2. GENERAL TOLERANCE  $\pm 0.25$ mm
  3. FONT SIZE TOLERANCES:  $\pm 5\%$
  4. TYPE 39 BARCODE, 6mm HIGH
  5. EXACT POSITIONING OF CYBERFLEET LOGO TBD BY MANUFACTURING

**DRAFT**

02	UPDATE TO INCLUDE FCCID ON LABEL	XX	XXXX	XX/XXX/XXXX
01	INITIAL RELEASE	DD	4359	08/FEB/2013
ISSUE	DESCRIPTION	BY	ECN	DATE
INDICATES KEY CONTROL CHARACTERISTIC	THIRD ANGLE PROJECTION	THIS DRAWING IS CONFIDENTIAL AND PROPRIETARY TO SCHRADER ELECTRONICS LIMITED. THE INFORMATION CONTAINED WITHIN IT MAY NOT BE USED, DISCLOSED OR REPRODUCED IN WHOLE OR IN PART, WITHOUT THE EXPRESSED WRITTEN CONSENT OF SCHRADER ELECTRONICS LIMITED. NO RIGHT IS GRANTED TO DISCLOSE OR USE ANY INFORMATION CONTAINED WITHIN THIS DRAWING		
NO. OF KCC ON DRAWING <b>N/A</b>		 <b>SCHRADER ELECTRONICS</b> CAD FORMAT PROGECAD 2010 THIS IS A CAD PRODUCED DRAWING, DO NOT MANUALLY ALTER		
DESIGNED BY DAVID DRENNAN	DATE 04/FEB/2013			
DRAWN BY DAVID DRENNAN	DATE 26/AUG/2014	MATERIAL <b>SEE NOTES</b>	GENERAL TOLERANCE UNLESS OTHERWISE SPECIFIED .X $\pm 0.2$ .XX $\pm 0.05$ .XXX $\pm 0.01$ ANGULAR $\pm 1^\circ$	
CHECKED BY	DATE	FINISH <b>SEE NOTES</b>	DO NOT SCALE ALL DIMENSIONS IN MILLIMETERS UNLESS OTHERWISE STATED	
APPROVED BY	DATE	MASS (g) <b>N/A</b>	SIZE <b>A3</b>	SHEET NO. SCALE <b>1 OF 1 1:1</b>
SQA APPROVAL <b>N/A</b>	DATE <b>N/A</b>	TITLE <b>CYBERFLEET RECEIVER MODULE PRINTED LABEL</b>		
PRODUCTION APPROVAL <b>N/A</b>	DATE <b>N/A</b>	DRAWING NO. <b>205461124</b>		ISSUE <b>02</b>

Label Location

