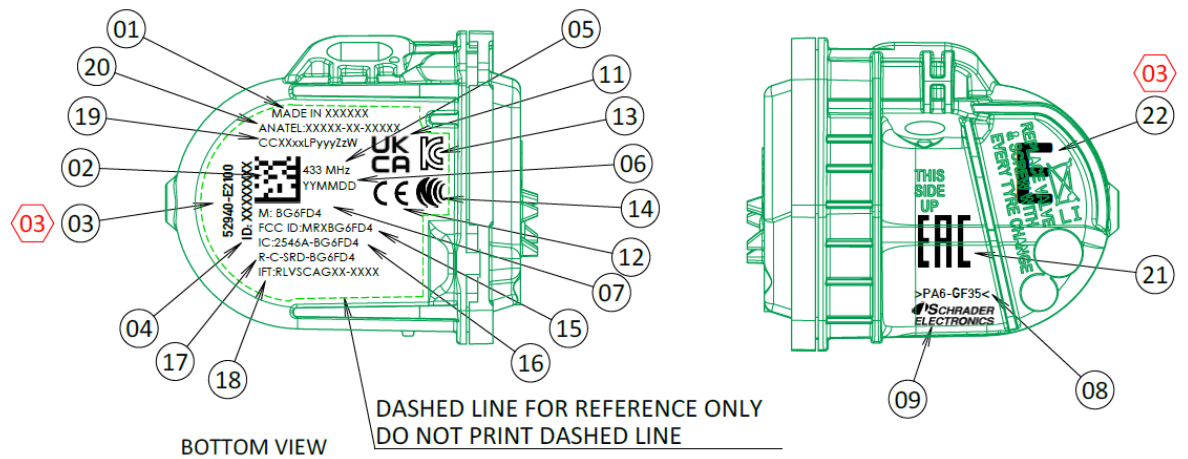


BG6FD4 Label Drawing



LABEL No.	REGION	AUTHORITY	SYMBOL	REF. CODE/ TEXT [TEXT FONT: DIN1451]	REQ. ON SENSOR	SIZE REQUIRED	
						SYMBOL	TEXT
11	UK	UKCA		N/A	SYMBOL	3.0mm	N/A
12	EUROPE	RED		N/A	SYMBOL	3.0mm	N/A
13	S.KOREA	KCC		N/A	SYMBOL	3.0mm	N/A
14	TAIWAN	NCC		N/A	SYMBOL	3.0mm	N/A
15	USA	FCC	N/A	FCC ID:MRXBG6FD4	TEXT	N/A	0.9mm
16	CANADA	IC	N/A	IC:2546A-BG6FD4	TEXT	N/A	0.9mm
17	S.KOREA	KCC	N/A	R-C-SRD-BG6FD4	TEXT	N/A	0.9mm
18	MEXICO	IFT	N/A	IFT:RLVSCAGXX-XXXX	TEXT	N/A	0.9mm
19	TAIWAN	NCC	N/A	CCXXxxLPyyyZzW	TEXT	N/A	0.9mm
20	BRAZIL	ANATEL	N/A	ANATEL:XXXX-XX-XXXX	TEXT	N/A	0.9mm
21	RUSSIA	EAC		N/A	SYMBOL	5.0mm	N/A