

EMC Test Report

regarding

USA: CFR Title 47, Part 15.231 (Emissions)
Canada: ISED RSS-210v10/GENv5 (Emissions)

for



BG2BP4

Category: TPMS Transmitter

Judgments:

15.231/RSS-210v10 Compliant Transmitter

Testing Completed: March 4, 2022



Prepared for:

Schrader Electronics

11 Technology Park, Belfast Road, Antrim Northern Ireland BT41 1QS United Kingdom

Phone: +44 28 9448 3067, Fax: +44 28 9446 8440

Contact: James Kyle, jakyle@schrader.co.uk

Data Recorded by:

John Nantz
John Nantz

Reviewed by:

Dr. Joseph Brunett
Dr. Joseph Brunett, EMC-002790-NE

Prepared by:

Dr. Joseph Brunett
Dr. Joseph Brunett, EMC-002790-NE

Date of Issue:

March 7, 2022

Revision History

Rev. No.	Date	Details	Revised By
r0	March 7, 2022	Initial Release.	J. Brunett
r1	March 7, 2022	Correct Spur limit.	J. Brunett

Contents

Revision History	2
Table of Contents	2
1 Test Report Scope and Limitations	4
1.1 Laboratory Authorization	4
1.2 Report Retention	4
1.3 Subcontracted Testing	4
1.4 Test Data	4
1.5 Limitation of Results	4
1.6 Copyright	4
1.7 Endorsements	4
1.8 Test Location	5
1.9 Traceability and Equipment Used	5
2 Test Specifications and Procedures	6
2.1 Test Specification and General Procedures	6
3 Configuration and Identification of the Equipment Under Test	7
3.1 Description and Declarations	7
3.1.1 EUT Configuration	8
3.1.2 Modes of Operation	8
3.1.3 Variants	8
3.1.4 Test Samples	8
3.1.5 Functional Exerciser	8
3.1.6 Modifications Made	8
3.1.7 Production Intent	8
3.1.8 Declared Exemptions and Additional Product Notes	8
4 Emissions	9
4.1 General Test Procedures	9
4.1.1 Radiated Test Setup and Procedures	9
4.1.2 Conducted Emissions Test Setup and Procedures	11
4.1.3 Power Supply Variation	11
4.2 Intentional Emissions	12
4.2.1 Fundamental Emission Pulsed Operation	12
4.2.2 Fundamental Emission Bandwidth	15
4.2.3 Fundamental Emission Field Strength	17
4.3 Unintentional Emissions	18
4.3.1 Transmit Chain Spurious Emissions	18
5 Measurement Uncertainty and Accreditation Documents	19

List of Tables

1	Test Site List.	5
2	Equipment List.	5
3	EUT Declarations.	7
4	Fundamental Emission Pulsed Operation.	12
5	Fundamental Emission Bandwidth.	15
6	Fundamental Emission Field Strength.	17
7	Transmit Chain Spurious Emissions.	18
8	Measurement Uncertainty.	19

List of Figures

1	Photos of EUT.	7
2	EUT Test Configuration Diagram.	8
3	Radiated Emissions Diagram of the EUT.	9
4	Radiated Emissions Test Setup Photograph(s).	10
5	Fundamental Emission Pulsed Operation.	13
5	Fundamental Emission Pulsed Operation.	14
6	Fundamental Emission Bandwidth.	16
7	Accreditation Documents	19

1 Test Report Scope and Limitations

1.1 Laboratory Authorization

Test Facility description and attenuation characteristics are on file with the FCC Laboratory, Columbia, Maryland (FCC Reg. No: US5348 and US5356) and with ISED Canada, Ottawa, ON (File Ref. No: 3161A and 24249). Amber Helm Development L.C. holds accreditation under NVLAP Lab Code 200129-0.

1.2 Report Retention

For equipment verified to comply with the regulations herein, the manufacturer is obliged to retain this report with the product records for the life of the product, and no less than ten years. A copy of this Report will remain on file with this laboratory until April 2032.

1.3 Subcontracted Testing

This report does not contain data produced under subcontract.

1.4 Test Data

This test report contains data included within the laboratory's scope of accreditation. Any data in this report that is not covered under the laboratory's scope is clearly identified.

1.5 Limitation of Results

The test results contained in this report relate only to the item(s) tested. Any electrical or mechanical modification made to the test item subsequent to the test date shall invalidate the data presented in this report. Any electrical or mechanical modification made to the test item subsequent to this test date shall require reevaluation.

1.6 Copyright

This report shall not be reproduced, except in full, without the written approval of Amber Helm Development L.C.

1.7 Endorsements

This report shall not be used to claim product endorsement by any accrediting, regulatory, or governmental agency.

1.8 Test Location

The EUT was fully tested by **Amber Helm Development L.C.**, headquartered at 92723 Michigan Hwy-152, Sister Lakes, Michigan 49047 USA. Table 1 lists all sites employed herein. Specific test sites utilized are also listed in the test results sections of this report where needed.

Table 1: Test Site List.

Description	Location	Quality Num.
OATS (3 meter)	3615 E Grand River Rd., Williamston, Michigan 48895	OATSC

1.9 Traceability and Equipment Used

Pertinent test equipment used for measurements at this facility is listed in Table 2. The quality system employed at Amber Helm Development L.C. has been established to ensure all equipment has a clearly identifiable classification, calibration expiry date, and that all calibrations are traceable to the SI through NIST, other recognized national laboratories, accepted fundamental or natural physical constants, ratio type of calibration, or by comparison to consensus standards.

Table 2: Equipment List.

Description	Manufacturer/Model	SN	Quality Num.	Cal/Ver By / Date Due
Spectrum Analyzer	R & S / FPC1500	101692	RSFPC15001	RS / Oct-2022
Spectrum Analyzer	R & S / FSV30	101660	RSFSV30001	RS / Apr-2023
Biconical	EMCO / 93110B	9802-3039	BICEMCO01	Keysight / Aug-2023
Log Periodic Antenna	EMCO / 3146	9305-3614	LOGEMCO01	Keysight / Aug-2023
BNC-BNC Coax	WRTL / RG58/U	001	CAB001-BLACK	AHD / Mar-2022
3.5-3.5MM Coax	PhaseFlex / PhaseFlex	001	CAB015-PURP	AHD / Jul-2022
Quad Ridge Horn	Singer / A6100	C35200	HQR1TO18S01	Keysight / Aug-2022

2 Test Specifications and Procedures

2.1 Test Specification and General Procedures

The goal of Schrader Electronics is to demonstrate that the Equipment Under Test (EUT) complies with the Rules and/or Directives below. Detailed in this report are the results of testing the Schrader Electronics BG2BP4 for compliance to:

Country/Region	Rules or Directive	Referenced Section(s)
United States	Code of Federal Regulations	CFR Title 47, Part 15.231
Canada	ISED Canada	ISED RSS-210v10/GENv5

It has been determined that the equipment under test is subject to the rules and directives above at the date of this testing. In conjunction with these rules and directives, the following specifications and procedures are followed herein to demonstrate compliance (in whole or in part) with these regulations.

ANSI C63.4:2014	"Methods of Measurement of Radio-Noise Emissions from Low-Voltage Electrical and Electronic Equipment in the Range of 9 kHz to 40 GHz"
ANSI C63.10:2013	"American National Standard of Procedures for Compliance Testing of Unlicensed Wireless Devices"
TP0102RA	"AHD Internal Document TP0102 - Radiated Emissions Test Procedure"
ISED Canada	"The Measurement of Occupied Bandwidth"

3 Configuration and Identification of the Equipment Under Test

3.1 Description and Declarations

The equipment under test is a UHF transmitter for automotive tire pressure monitoring. The EUT is approximately 4 x 4 x 1.5 cm in dimension, and is depicted in Figure 1. It is powered by 3 VDC Lithium cell battery. In use, this device is permanently installed in the tire of a motor vehicle. Table 3 outlines provider declared EUT specifications.



Figure 1: Photos of EUT.

Table 3: EUT Declarations.

General Declarations	
Equipment Type:	TPMS Transmitter
Country of Origin:	Not Declared
Nominal Supply:	3 VDC
Oper. Temp Range:	Not Declared
Frequency Range:	433.92 MHz
Antenna Dimension:	Not Declared
Antenna Type:	PCB Edge Plated
Antenna Gain:	Not Declared
Number of Channels:	1
Channel Spacing:	Not Applicable
Alignment Range:	Not Declared
Type of Modulation:	FSK
United States	
FCC ID Number:	MRXBG2BP4
Classification:	DSC
Canada	
IC Number:	2456A-BG2BP4
Classification:	Remote Control Device

3.1.1 EUT Configuration

The EUT is configured for testing as depicted in Figure 2.

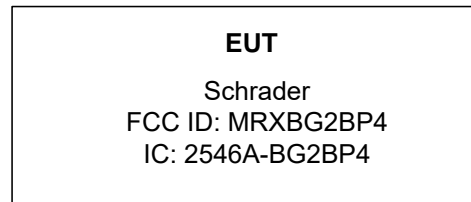


Figure 2: EUT Test Configuration Diagram.

3.1.2 Modes of Operation

This device is capable of three key modes of operation. Upon manually activated LF interrogation (through the use of special LF tool at a vehicle dealership), the EUT responds with a transmission containing a number of frames used to configure the device with the vehicle (LEARN MODE). When the EUT is placed in the vehicle tire and the vehicle drives, it can, in the worst case, periodically transmit where the duration of each transmission is always less than 1 second and the silent period between transmissions is at least 30 times the duration of the transmission, and never less than 10 seconds (ROLL MODE). (See duty cycle table and operational description exhibit for details.) In the case of an emergency condition (delta Pressure), the EUT will transmit tire pressure and temperature information throughout the duration of the condition.

3.1.3 Variants

There is only a single variant of the EUT, as tested.

3.1.4 Test Samples

Three samples in total were provided; two normal operating samples and one CW sample. The normal operating samples were tested for LF activation response using a LF diagnostic tool provided by the manufacturer.

3.1.5 Functional Exerciser

Normal operating EUT functionality was verified by observation of transmitted signal.

3.1.6 Modifications Made

There were no modifications made to the EUT by this laboratory.

3.1.7 Production Intent

The EUT appears to be a production ready sample.

3.1.8 Declared Exemptions and Additional Product Notes

The EUT is permanently installed in a transportation vehicle. As such, digital emissions are exempt from US and Canadian digital emissions regulations (per FCC 15.103(a) and IC correspondence on ICES-003).

The EUT also employs some modes of operation that alert the vehicle user of sudden changes in tire pressure. Such alert modes fall under FCC 15.231(a)(4), and may operate during the pendency of the alarm condition. A detailed list of all operating modes is included in the Description of Operation exhibit included in this application.

4 Emissions

4.1 General Test Procedures

4.1.1 Radiated Test Setup and Procedures

Radiated electromagnetic emissions from the EUT are first pre-scanned in our screen room. Spectrum and modulation characteristics of all emissions are recorded. Instrumentation, including spectrum analyzers and other test equipment as detailed in Section 1.8 are employed. After pre-scan, emission measurements are made on the test site of record. If the EUT connects to auxiliary equipment and is table or floor standing, the configurations prescribed in relevant test standards are followed. Alternatively, a layout closest to normal use (as declared by the provider) is employed if the resulting emissions appear to be worst-case in such a configuration. See Figure 3. All intentionally radiating elements that are not fixed-mounted in use are placed on the test table lying flat, on their side, and on their end (3-axes) and the resulting worst case emissions are recorded. If the EUT is fixed-mounted in use, measurements are made with the device oriented in the manner consistent with installation and then emissions are recorded. If the EUT exhibits spurious emissions due to internal receiver circuitry, such emissions are measured with an appropriate carrier signal applied.

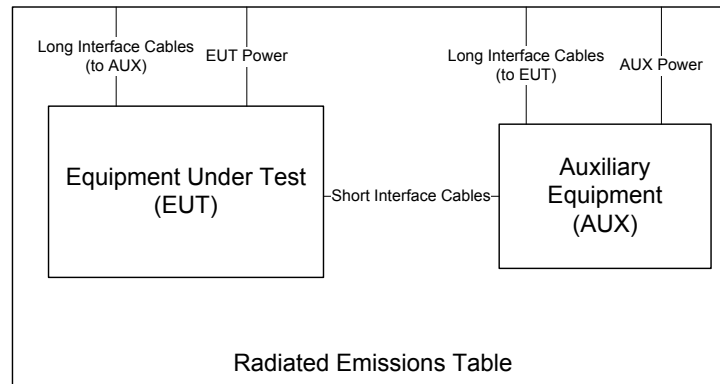


Figure 3: Radiated Emissions Diagram of the EUT.

For devices with intentional emissions below 30 MHz, a shielded loop antenna and/or E-field and H-Field broadband probes are used depending on the regulations. Shielded loops are placed at a 1 meter receive height at the desired measurement distance. For exposure in this band, the broadband probes employed are 10cm diameter single-axis shielded transducers and measurements are repeated and summed over three axes.

Emissions between 30 MHz and 1 GHz are measured using calibrated broadband antennas. For both horizontal and vertical polarizations, the test antenna is raised and lowered from 1 to 4 m in height until a maximum emission level is detected. The EUT is then rotated through 360° in azimuth until the highest emission is detected. The test antenna is then raised and lowered one last time from 1 to 4 m and the worst case value is recorded. Emissions above 1 GHz are characterized using standard gain or broadband ridge-horn antennas on our OATS with a 4×5 m rectangle of ECCOSORB absorber covering the OATS ground screen and a 1.5m table height. Care is taken to ensure that test receiver resolution and video bandwidths meet the regulatory requirements, and that the emission bandwidth of the EUT is not reduced. Photographs of the test setup employed are depicted in Figure 4.

Where regulations allow for direct measurement of field strength, power values (dBm) measured on the test receiver / analyzer are converted to $\text{dB}\mu\text{V}/\text{m}$ at the regulatory distance, using

$$E_{dist} = 107 + P_R + K_A - K_G + K_E - C_F$$

where P_R is the power recorded on spectrum analyzer, in dBm, K_A is the test antenna factor in dB/m, K_G is the combined pre-amplifier gain and cable loss in dB, K_E is duty correction factor (when applicable) in dB, and C_F is a distance conversion (employed only if limits are specified at alternate distance) in dB. This field strength value is then compared with the regulatory limit. If effective isotropic radiated power (EIRP) is computed, it is computed as

$$EIRP(\text{dBm}) = E_{3m}(\text{dB}\mu\text{V}/\text{m}) - 95.2.$$

When presenting data at each frequency, the highest measured emission under all possible EUT orientations (3-axes) is reported.

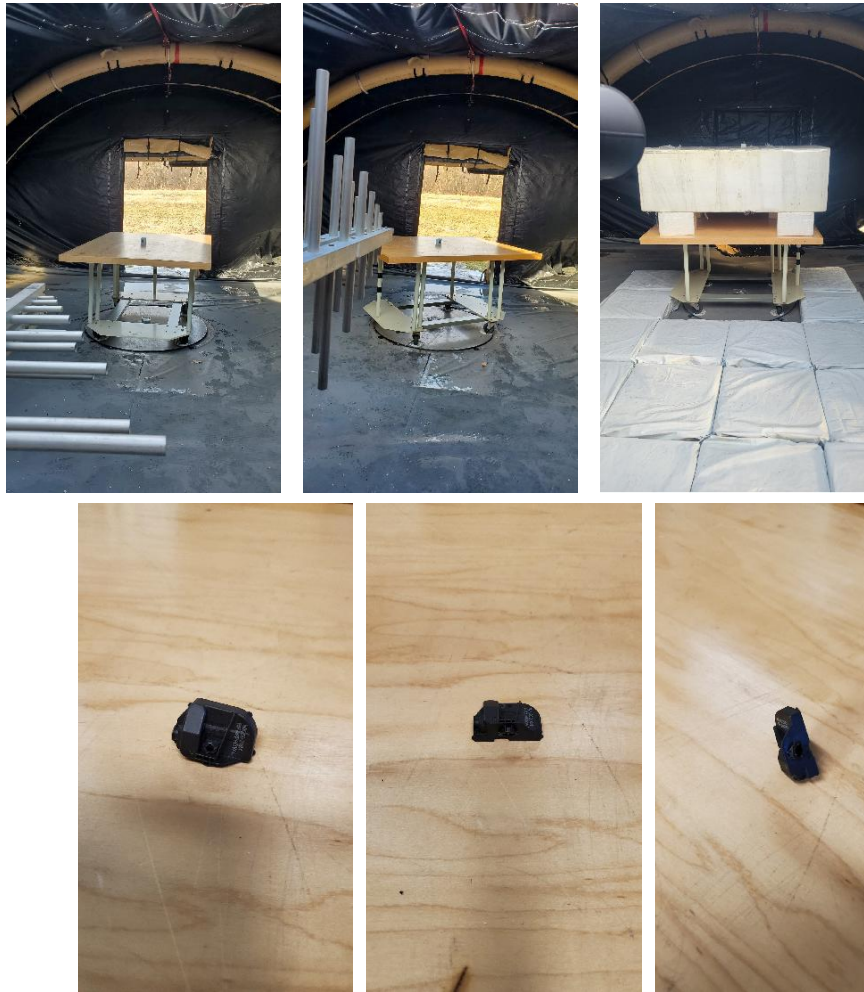


Figure 4: Radiated Emissions Test Setup Photograph(s).

4.1.2 Conducted Emissions Test Setup and Procedures

The EUT is not subject to measurement of power line conducted emissions as it is powered solely by its internal battery.

4.1.3 Power Supply Variation

Tests at extreme supply voltages are made if required by the procedures specified in the test standard, and results of this testing are detailed in this report.

In the case the EUT is designed for operation from a battery power source, the extreme test voltages are evaluated over the range specified in the test standard; no less than $\pm 10\%$ of the nominal battery voltage declared by the manufacturer. For all battery operated equipment, worst case intentional and spurious emissions are re-checked employing a new (fully charged) battery.

4.2 Intentional Emissions

4.2.1 Fundamental Emission Pulsed Operation

Test Setup & Procedure The test equipment and facilities were setup in accordance with the standards and procedures listed in Section 2.1. Environmental conditions were set at the appropriate temperature and thermal balance was checked with a thermocouple based probe. Duty cycle is reported for all relevant modes of operation. The test equipment employed includes RSFSV30001, LOGEMCO01.

Measurement Results The details and results of testing the EUT are summarized in Table 4. Plots showing the measurements made to obtain these values are provided in Figure 5.

Table 4: Fundamental Emission Pulsed Operation.

Detector	Span	IF Bandwidth	Video Bandwidth	Test Date:	21-Feb-22
Pk		1 MHz	3 MHz	Test Engineer:	Joseph Brunett
				EUT:	Schrader BG2BP4
				EUT Mode:	Modulated
				Meas. Distance:	10 cm

FCC/IC											
R0	Frequency (MHz)	EUT Test Mode*	Overall Transmission			Internal Frame Characteristics			Computed Duty Cycle		
			Min. Repetition Rate (sec)	Max. No. of Frames	Total Transmission Length (sec)	Max. Frame Length (ms)	Min. Frame Period (ms)	Frame Encoding	(%)	(dB)	
R1	433.92	Roll Mode – PERIODIC TX (see Figure 5(a))	17.40	4	0.388	8.320	>100 ms	In worst case Roll (periodic tx) mode the EUT transmits 4 FSK frames every 17.4 seconds. Therein, worst case transmission of one 8.32 ms FSK frame may occur in any given 100ms window.	8.3	-20.0	
R2	433.92	LEARN Mode – MANUAL ACTIV. (see Figure 5(b))	2.2	9 ASK + 4 FSK	0.946	8.360	>100 ms	In worst case LEARN (manual activated tx) mode the EUT transmits 9 ASK + 4 FSK frames after activation. Therein, worst case transmission of one 8.36 ms FSK frame may occur in any given 100ms window.	8.4	-20.0	
#	C1	C2	C3	C4	C5	C6	C7	#	C8	C9	
	(ROW)	(COLUMN)	NOTES:								
	R0	C8	Example Calculation: Worst Case Duty (%) = 8.36 ms / 100 ms) x 100 = 8.36 % = -20.0 dB Field Strength Duty								

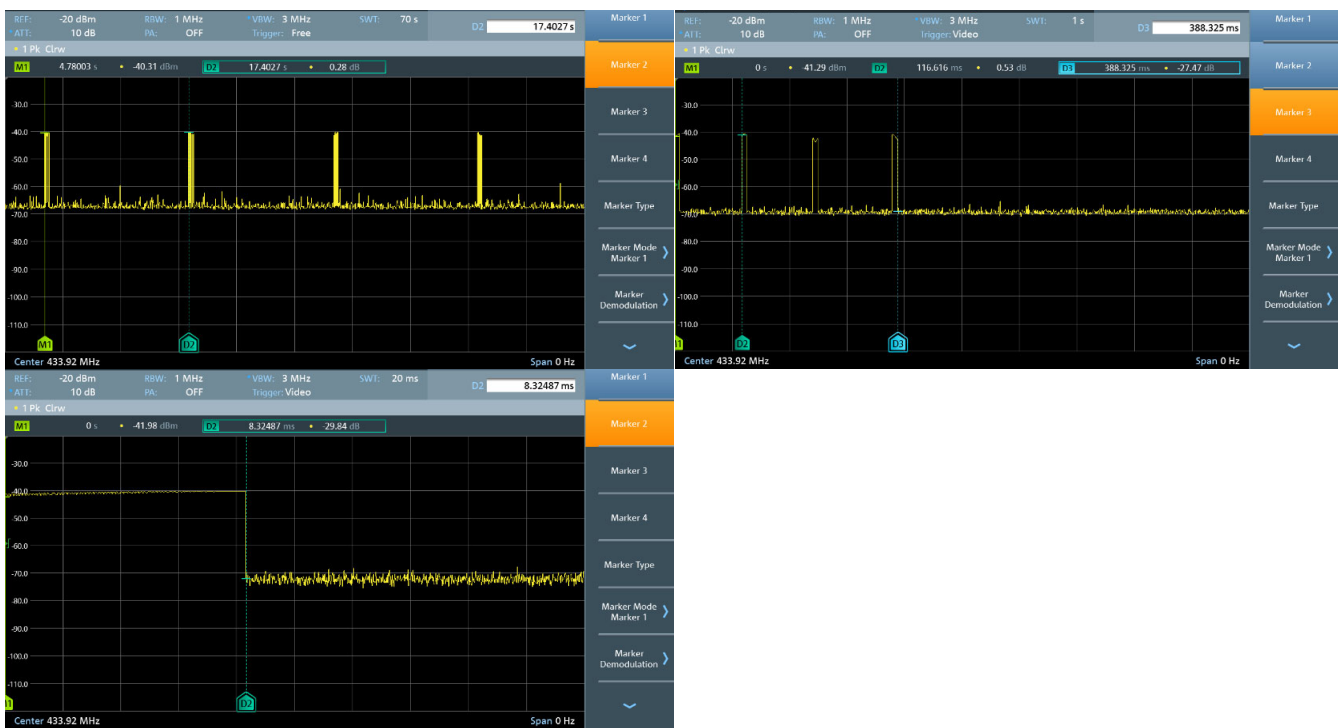


Figure 5(a): Fundamental Emission Pulsed Operation.

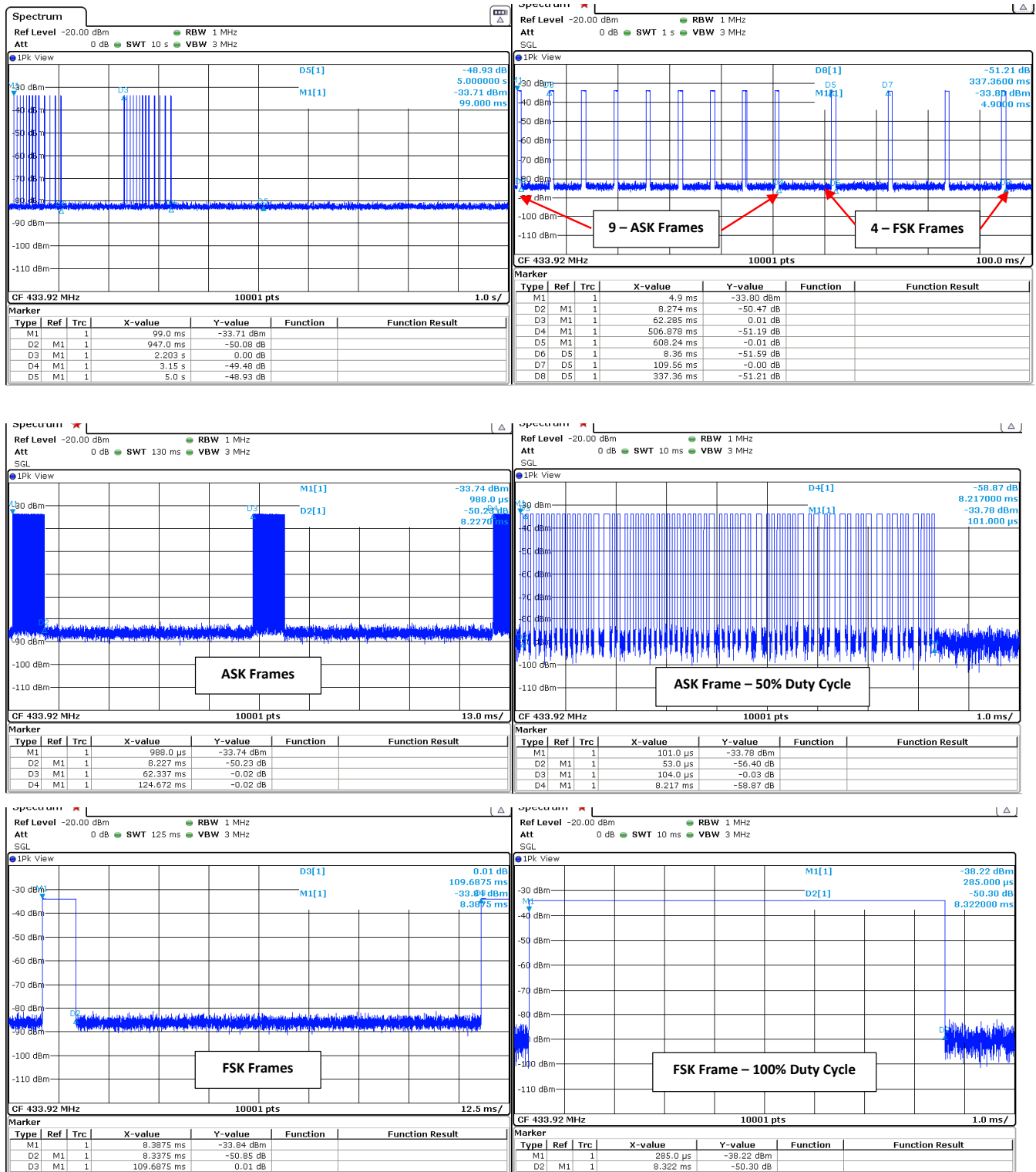


Figure 5(b): Fundamental Emission Pulsed Operation.

4.2.2 Fundamental Emission Bandwidth

Test Setup & Procedure The test equipment and facilities were setup in accordance with the standards and procedures listed in Section 2.1. Environmental conditions were set at the appropriate temperature and thermal balance was checked with a thermocouple based probe. Emission bandwidth (EBW) of the EUT is measured with the device placed in the test mode(s) with the shortest available frame length and minimum frame spacing. The 20 dB EBW is measured as the max-held peak-detected signal when the IF bandwidth is greater than or equal to 1% of the receiver span. For complex modulations other than ASK and FSK, the 99% emission bandwidth per IC test procedures has a different result, and is also reported. The test equipment employed includes RSFSV30001, LOGEMCO01.

Measurement Results The details and results of testing the EUT are summarized in Table 5. Plots showing the measurements made to obtain these values are provided in Figure 6.

Table 5: Fundamental Emission Bandwidth.

Detector	IF Bandwidth	Video Bandwidth	Test Date:	21-Feb-22
Pk	10 kHz	30 kHz	Test Engineer:	John Nantz
			EUT:	Schrader BG2BP4
			EUT Mode:	Normal
			Meas. Distance:	10 cm

						FCC/IC
R0	Modulation	Center Frequency (MHz)	20 dB EBW (MHz)	99% OBW (MHz)	EBW Limit (MHz)	Pass/Fail
R1	ASK+FSK	433.92	116.7	128.685	1.0848	
R2						
#	C1	C2	C3	C4	C5	C6

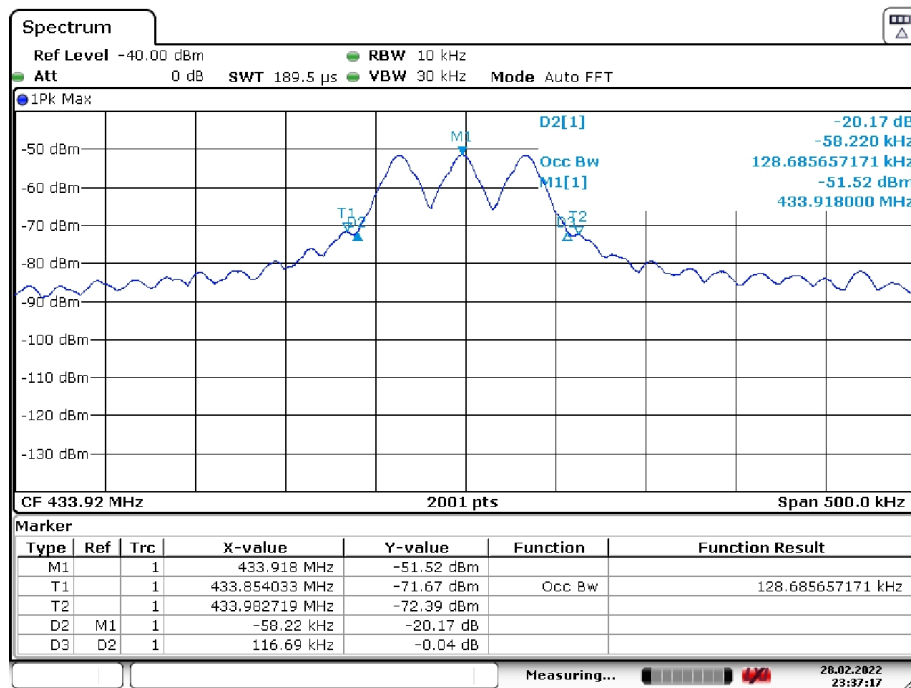


Figure 6: Fundamental Emission Bandwidth.

4.2.3 Fundamental Emission Field Strength

Test Setup & Procedure The test equipment and facilities were setup in accordance with the standards and procedures listed in Section 2.1. Environmental conditions were set at the appropriate temperature and thermal balance was checked with a thermocouple based probe. Fundamental emissions are measured at the regulatory distance on our OATS. The test equipment employed includes RSFSV30001, LOGEMCO01.

Measurement Results The details and results of testing the EUT are summarized in Table 6.

Table 6: Fundamental Emission Field Strength.

Frequency Range 25 MHz ≤ f ≤ 1 000 MHz	Det Pk	IF Bandwidth 1 MHz	Video Bandwidth 3 MHz	Test Date: 21-Feb-22
				Test Engineer: John Nantz
				EUT: Schrader BG2BP4
				EUT Mode: CW
				Meas. Distance: 3 meters

FCC/IC													
R0	Freq. MHz	Ant. Used	Ant. Pol.	Table Azim. deg	Ant Height m	Ka dB/m	Kg dB	E3(Pk) dBμV/m	E3(Avg) dBμV/m	FCC/IC E3(Pk) Lim. dBμV/m	FCC/IC E3(Avg) Lim. dBμV/m	Pass dB	Comments
R1	433.9	LOGEMCO01	H		1.0	16.3	-1.5	59.5	39.5	92.8	72.8	33.3	side
R2	433.9	LOGEMCO01	V		1.3	16.3	-1.5	61.3	41.3	92.8	72.8	31.5	end
R3													
R4													
R5													
#	C1	C2	C3	C4	C5	C6	C7	C8	C9	C10	C11	C12	C13

(ROW) (COLUMN) NOTES:
R0 C9 Avg data computed from Peak Measured Data and EUT Duty Cycle. EUT in CW mode.

4.3 Unintentional Emissions

4.3.1 Transmit Chain Spurious Emissions

The results for the measurement of transmit chain spurious emissions at the nominal voltage and temperature are provided in Table 7.

Table 7: Transmit Chain Spurious Emissions.

Frequency Range	Det	IF Bandwidth	Video Bandwidth	Test Date:	21-Feb-22
25 MHz ≤ f ≤ 1 000 MHz	Pk/QPk	120 kHz	300 kHz	Test Engineer:	Joseph Brunett
f > 1 000 MHz	Pk	1 MHz	3 MHz	EUT:	Schrader BG2BP4
f > 1 000 MHz	Avg	1 MHz	10kHz	EUT Mode:	CW
				Meas. Distance:	3 meters

Transmitter Unintentional Spurious Emissions													FCC/IC
#	Freq. MHz	Ant. Used	Ant. Pol.	Table Azim. deg	Ant Height m	Ka dB/m	Kg dB	E3(Pk) dBμV/m	E3(Avg)* dBμV/m	FCC/IC E3lim (Pk) dBμV/m	FCC/IC E3lim (Avg) dBμV/m	Pass dB	Comments
1	867.8	LOGEMCO01	H	90.0	1.00	22.2	-2.8	17.3	-2.7	72.8	52.8	55.5	max all, background
2	867.8	LOGEMCO01	V	.0	1.25	22.2	-6.9	25.9	5.9	72.8	52.8	46.9	max all, background
3	1301.8	HQR1TO18S01	H/V	max all	1.50	32.4	-3.5	44.1	24.1	74.0	54.0	29.9	max all
4	1735.7	HQR1TO18S01	H/V	max all	1.50	30.4	-4.2	44.7	24.7	74.0	54.0	29.3	max all
5	2169.6	HQR1TO18S01	H/V	max all	1.50	29.8	-4.8	43.2	23.2	74.0	54.0	30.8	max all
6	2603.5	HQR1TO18S01	H/V	max all	1.50	30.1	-5.3	40.6	20.6	74.0	54.0	33.4	max all
7	3037.4	HQR1TO18S01	H/V	max all	1.50	30.7	-5.7	40.7	20.7	74.0	54.0	33.3	max all
8	3471.4	HQR1TO18S01	H/V	max all	1.50	31.3	-6.1	44.1	24.1	74.0	54.0	29.9	max all
9	3905.3	HQR1TO18S01	H/V	max all	1.50	31.8	-6.4	42.6	22.6	74.0	54.0	31.4	max all
10	4339.2	HQR1TO18S01	H/V	max all	1.50	32.1	-6.7	54.1	34.1	74.0	54.0	19.9	max all
11													
12													
13													
14													
15													

*Avg data computed from Peak Measured Data and EUT Duty Cycle. EUT in CW mode.

5 Measurement Uncertainty and Accreditation Documents

The maximum values of measurement uncertainty for the laboratory test equipment and facilities associated with each test are given in the table below. This uncertainty is computed for a 95.45% confidence level based on a coverage factor of $k = 2$.

Table 8: Measurement Uncertainty.

Measured Parameter	Measurement Uncertainty [†]
Radio Frequency	$\pm(f_{Mkr}/10^7 + RBW/10 + (SPN/(PTS - 1))/2 + 1 \text{ Hz})$
Conducted Emm. Amplitude	$\pm 1.9 \text{ dB}$
Radiated Emm. Amplitude ($f < 30 \text{ MHz}$)	$\pm 3.1 \text{ dB}$
Radiated Emm. Amplitude (30 – 200 MHz)	$\pm 4.0 \text{ dB}$
Radiated Emm. Amplitude (200 – 1000 MHz)	$\pm 5.2 \text{ dB}$
Radiated Emm. Amplitude ($f > 1000 \text{ MHz}$)	$\pm 3.7 \text{ dB}$

[†]Ref: CISPR 16-4-2:2011+A1:2014



Figure 7: Accreditation Documents