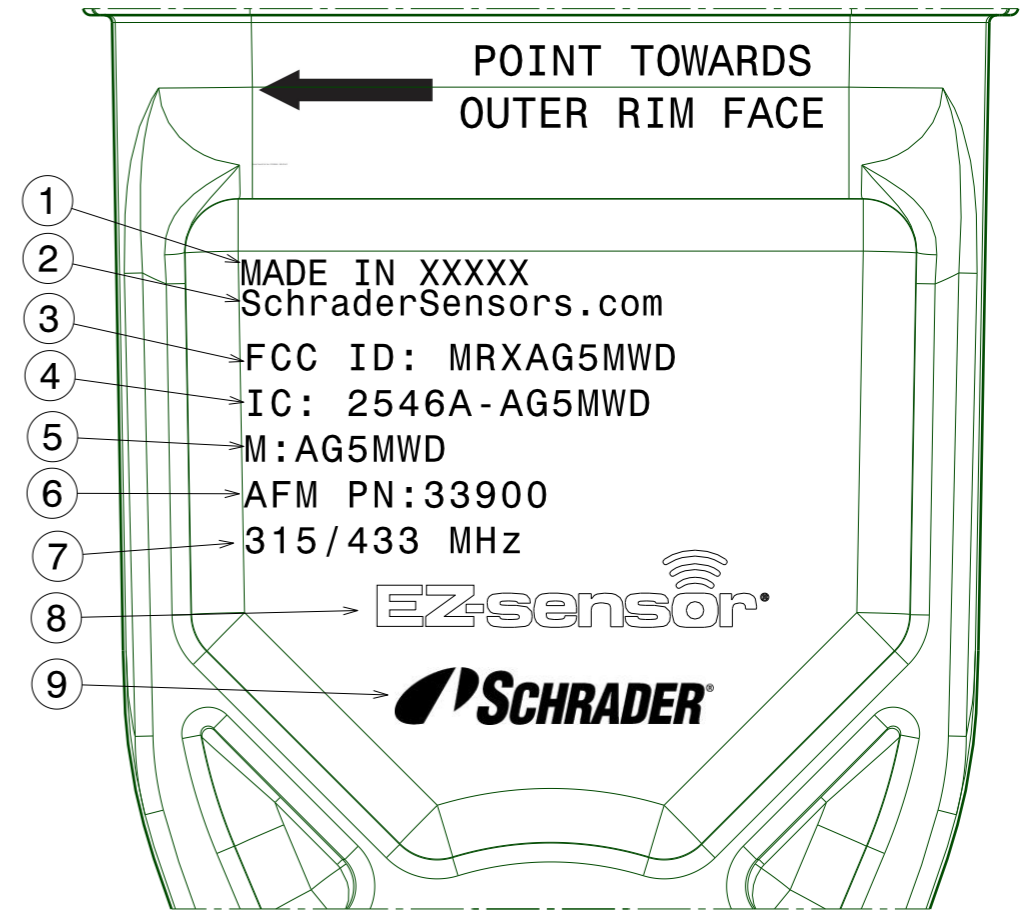
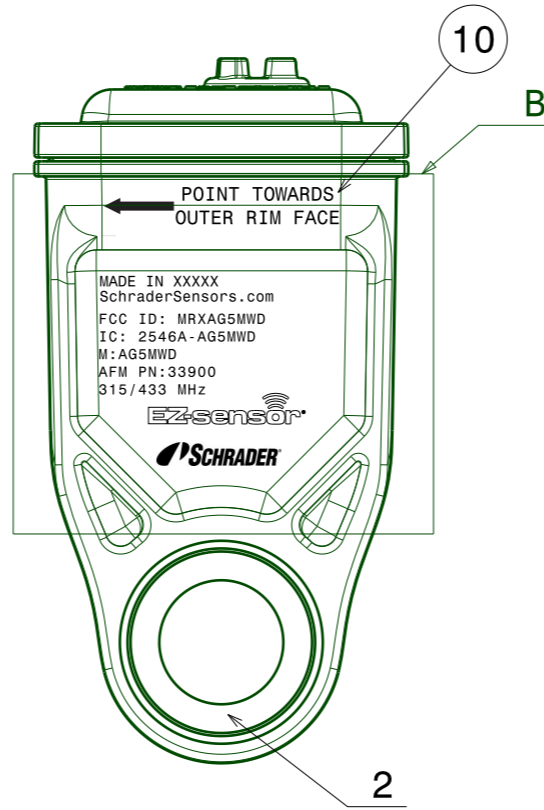
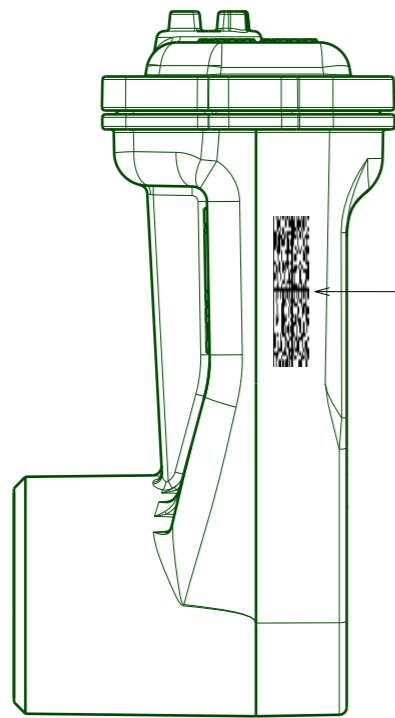


GRID REF.	REV	REVISION DESCRIPTION	BY	ECO	DATE
N/A	01	INITIAL RELEASE	MD	ECO-252048	29/AUG/18



Detail B
Scale: 5:1

LABEL No.	ITEM	DETAIL
1	ENCLOSURE	22MM
2	INSERT	ORIENTATING
-	MCH ID	01303

PRODUCTION LOCATION	COUNTRY OF MANUFACTURE
ANTRIM	UK

Item	DESCRIPTION	IDENTIFICATION
1	COUNTRY OF MANUFACTURE	MADE IN [SEE TABLE]
2	COMPANY WEBSITE	SchraderSensors.com
3	U.S. APPROVAL ID	FCC ID:MRXAG5MWD
4	CANADA APPROVAL ID	IC: 2546A-AG5MWD
5	MODEL	M:AG5MWD
6	AFTERMARKET PART NUMBER	AFM PN:33900
7	OPERATING FREQUENCY	315 / 433 MHz
8	PRODUCT BRANDING	EZ-SENSOR LOGO
9	COMPANY BRANDING	SCHRADER LOGO
10	MOUNTING INSTRUCTION	POINT TOWARDS OUTER RIM FACE [ARROW SYMBOL]
11		2D MATRIX

FOR REFERENCE ONLY, CHECK LATEST REVISION BEFORE USE. REFER TO PLM FOR CONTROLLED DATA, CHANGE HISTORY AND APPROVALS		TECHNOLOGY PARK, ANTRIM, UK, BT41 1QS	
PART NUMBER 70103104237	THIS DRAWING IS CONFIDENTIAL AND PROPRIETARY OF SCHRADER ELECTRONICS LIMITED. THE INFORMATION CONTAINED WITHIN IT MAY NOT BE USED, DISCLOSED OR REPRODUCED IN WHOLE OR PART, WITHOUT THE EXPRESSED WRITTEN CONSENT OF SCHRADER ELECTRONICS LIMITED. NO RIGHT IS GRANTED TO DISCLOSE OR USE ANY INFORMATION CONTAINED WITHIN THIS DRAWING. SCHRADER ELECTRONICS LIMITED IS PART OF THE SENSATA TECHNOLOGIES GROUP.	TITLE EZ SENSOR GEN6 MB (90 DEG) TX DB	
MATERIAL N/A			
MASS (g) N/A			
PROJECT NO. N/A	INTERPRET DRAWING PER ASME Y14.5-2009	SIZE A3	DRAWING NO. 00007836
REVISION SYMBOL 	DO NOT SCALE DRAWING	THIRD ANGLE PROJECTION	DRAWING REV. 01
		SCALE 2:1	CATIA R19
		SHEET 1 OF 1	