

NOTES:
 1 TEXT FONT SIZE TO BE 1mm MINIMUM UNLESS OTHERWISE SPECIFIED
 2 TEXT FONT: DIN 1451

DRAFT - FOR TECHNICAL FEEDBACK OR QUOTATION PURPOSES ONLY

PART NO. 70503113265	DRAWING VERSION 3	3D CAD VERSION 01	SUPPLIERS - PLEASE NOTE WHEN IN COMMUNICATION WITH SENSATA ABOUT DRAFT ITEMS, PLEASE USE PART NUMBER TOGETHER WITH 3D CAD VERSION AS UNIQUE IDENTIFIER OF REFERENCED 3D CAD MODEL
-------------------------	----------------------	----------------------	---

REV	REVISION DESCRIPTION	BY	ECO	DATE
01	INITIAL DRAFT RELEASE	R.R.		03/MAR/2022

TABLE 4

MECH CODE	SCHRADER PART NO.	FORD ASSEMBLY PART NO.	FORD CONTENT IN FINAL TEST MATRIX
1761	70803113265	PC3T-1A180-CA	N/A
1794		PC3T-1A180-GA	N/A
1772	70803113601	PC3T-1A180-DA	N/A
1795		PC3T-1A180-HA	N/A

TABLE 3

PRODUCTION LOCATION	COUNTRY OF MANUFACTURE
ANTRIM	MADE IN UK
AGUASCALIENTES	MADE IN MEXICO
CHANGZHOU	MADE IN CHINA

TABLE 2

PRODUCT MARKINGS






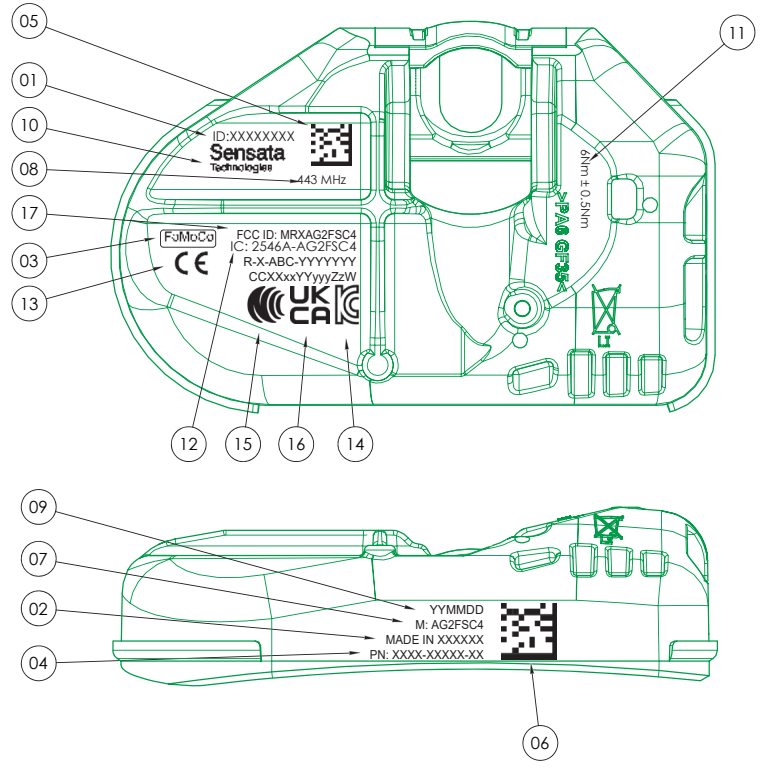


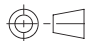
LABEL No.	DESCRIPTION	TEXT/ LOGO [TEXT FONT: DIN1451]	SIZE
01	ASIC ID (IN FORMAT HEXADEMICAL)	ID:XXXXXXXX	LEGIBLE
02	COUNTRY OF MANUFACTURE (SEE TABLE 3)	MADE IN XXXXXX	LEGIBLE
03	CUSTOMER LOGO	FoMoCo	LEGIBLE
04	FORD ASSEMBLY NO.	SEE TABLE 4	LEGIBLE
05	LASER MARKING 2D VERIFICATION DATA MATRIX	N/A	4mm X 4mm
06	MANUFACTURING TRACABILITY 2D DATA MATRIX	N/A	5.5mm X 5.5mm
07	MODEL NO.	M:AG2FSC4	LEGIBLE
08	OPERATING FREQUENCY	433 MHz	LEGIBLE
09	PRODUCTION DATE	YYMMDD	LEGIBLE
10	SENSATA TECHNOLOGIES LOGO		LEGIBLE
11	TORQUE	6Nm ± 0.5Nm	LEGIBLE

TABLE 1

COUNTRY APPROVALS

LABEL No.	REGION	AUTHORITY	SYMBOL	REF. CODE/ TEXT [TEXT FONT: DIN1451]	REQ. ON SENSOR	SIZE REQUIRED	
						SYMBOL	TEXT
12	CANADA	IC	N/A	IC: 2546A-AG2FSC4	TEXT	N/A	LEGIBLE
13	EUROPE	RED		N/A	SYMBOL	3.0mm	N/A
14	KOREA SOUTH	KCC		R-X-ABC-YYYYYY	TEXT & SYMBOL	3.0mm	LEGIBLE
15	TAIWAN	NCC		CCXxxYyyyZzW	TEXT & SYMBOL	3.0mm	LEGIBLE
16	UK	UK SI		N/A	SYMBOL	3.0mm	N/A
17	USA	FCC	N/A	FCC ID: MRXAG2FSC4	TEXT	N/A	LEGIBLE



FOR REFERENCE ONLY. CHECK LATEST REVISION BEFORE USE. REFER TO PLM FOR CONTROLLED DATA, CHANGE HISTORY AND APPROVALS.		TECHNOLOGY PARK, ANTRIM, UK, BT41 1QS			
MATERIAL	THIS DRAWING IS CONFIDENTIAL AND PROPRIETARY OF SCHRADER ELECTRONICS LIMITED. THE INFORMATION CONTAINED WITHIN IT MAY NOT BE USED, DISCLOSED OR REPRODUCED IN WHOLE OR PART, WITHOUT THE EXPRESSED WRITTEN CONSENT OF SCHRADER ELECTRONICS LIMITED. NO RIGHT IS GRANTED TO DISCLOSE OR USE ANY INFORMATION CONTAINED WITHIN THIS DRAWING. SCHRADER ELECTRONICS LIMITED IS PART OF THE SENSATA TECHNOLOGIES GROUP.		PART NUMBER 70503113265		
MASS (g)			FORD G2T GEN6 EZ TX 433 VALVE TYPE 1 LASER ETCHED DRAWING - DRAFT		TITLE
PROJECT NO. PRJ0012357	REVISION SYMBOL 	INTERPRET DRAWING PER ASME Y14.5-2009 SEE NOTES FOR GENERAL TOLERANCE			
UNLESS OTHERWISE SPECIFIED DIMENSIONS ARE IN MILLIMETERS	DO NOT SCALE DRAWING	THIRD ANGLE PROJECTION 	SIZE A3	DRAWING NO. 00016076	DRAWING REV. 01
			SCALE 2:1	SOLIDWORKS 2020	SHEET 1 OF 1