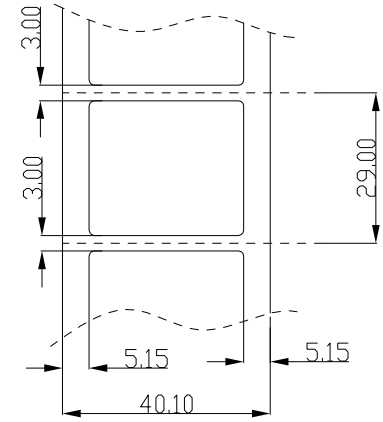
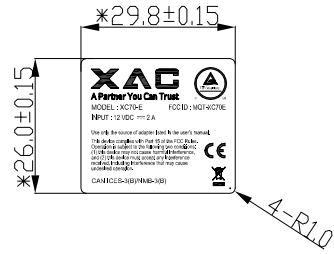


P/N

241994000



- NOTES
- 1.) SURFACE MATERIAL: PET 0.05mmTHK.(+/-10%) WITH BACK ACRYLIC ADHESIVE.
 - 2.) PRINT: PERMANENT BLACK OPAQUE INK.
 - 3.) FINISH: SURFACE WITH PET COATING.
 - 4.) TOTAL THICKNESS TO BE 0.13±0.02mm.
 - 5.) LINER SPEC: ROLL TYPE, GLASSING PAPER, 82 gw/m² (REF.) SURFACE WITH SILICON COATING.
 - 6.) LABEL MARKING TO COMPLY WITH UL'S RECOGNIZED COMPONENT MARKING AND LABELING SYSTEMS. ALL LABEL MATERIAL AND ADHESIVE MUST BE UL COMPLIANT/CERTIFIED
 - 7.) FINISHED: MEET XAC's RoHS REQUIREMENT
 - 8.) CRITICAL DIMENSIONS WITH " * " MARK.

3						UNLESS OTHERWISE SPECIFIED TOLERANCES ARE :	MODEL NO	XC70-ID		0 ← mm → 25	XAG XAC Automation Corp. A Partner You Can Trust	
						X. .035 ANGLE .05~	APPROVED	DATE	DO NOT SCALE DRAWING			
2						.X .020 RADIUS R0.5	CHECKED	DATE	TITLE			
1						.XX .010	DESIGNER	DATE	LABEL RATING XC70-E<ROHS>			
						.XXX .005	FINISH :	DATE	PAPER SIZE: A3		DWG NO. 241994000_A01	VER. A01
REV LTR	DATE	EC NO.	REV. DESCRIPTION	DESIGNER	APPROVED	MATERIAL : SEE NOTE		2019.10.17				