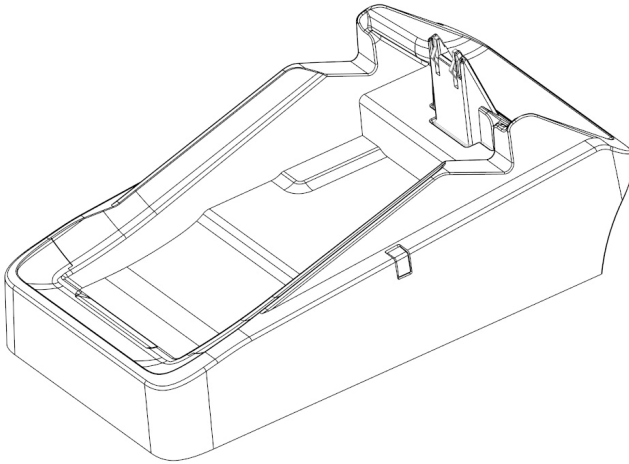


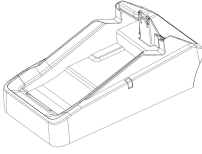
TERMINAL PAYMENT CRADLE

XC60

INSTALLATION GUIDE



1. PACKAGE CONTENT



■ XC60



■ Power adaptor

2. DEVICE OVERVIEW

Device Overview (Figure 1):

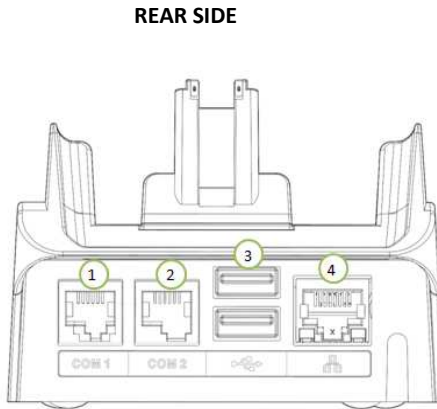


Figure 1

BACK AREA	1	COM1
	2	COM2
	3	USB Host
	4	LAN

FRONT SIDE

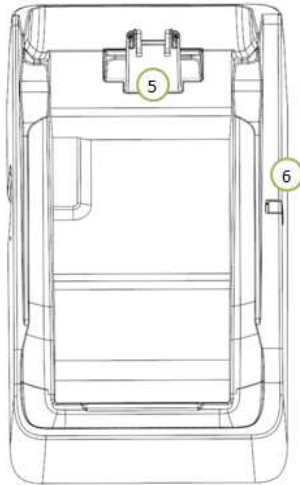


Figure 2

FRONT AREA	5	Charging Contact
	6	Status LED

LEFT SIDE

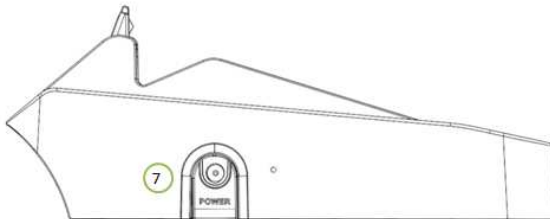


Figure 3

SIDE AREA	7	DC JACK
-----------	---	---------

■ **XC60 Power spec:**

Input: 12V DC, 2A

■ **Power Adapter spec:**

Input: 100 ~240 ac

Output: 12V DC, 2A min



This symbol is intended to alert the user before starting using the POS.



Caution: This product shall be only used with a certified power supply unit which was investigated according to the standard of IEC 60950-1, UL 60950-1 and CAN/CSA C22.2 No. 60950-1-07, and marked "I.T.E. LPS", and with operating temperature: minimum 40°C, output rated: 12V DC, minimum 2 A.

■ **Operating Temperature: 0°C to 40°C**

3. POWER ON/OFF THE DEVICE

To power ON the device: Plug-in the DC JACK

To power OFF the device: Un-Plug the DC JACK

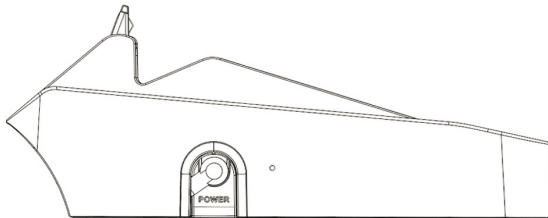


Figure 4

4. LED BEHAVIORS

Insert Power adapter and device will power up, there is a LED status:

- Location:
 - Top right corner (Figure 5)

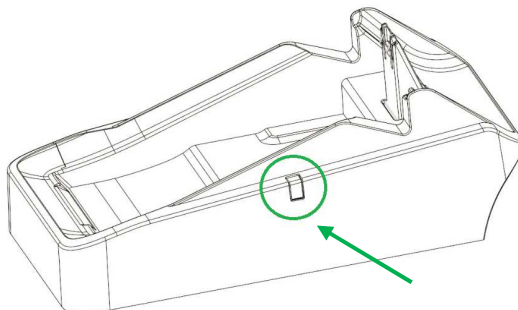


Figure 5

- Blinking Red - System update process
- Solid Red - System errors and can't operation
- Solid Orange – System power on
- Solid Green – System power on and under connection
- Blinking Green – System power on and in idle mode

5. CONNECT WITH xCL_AT-150/xCL_AT-100

Place xCL_AT-150/xCL_AT-100 on the XC60 for charging and as Figure 6.

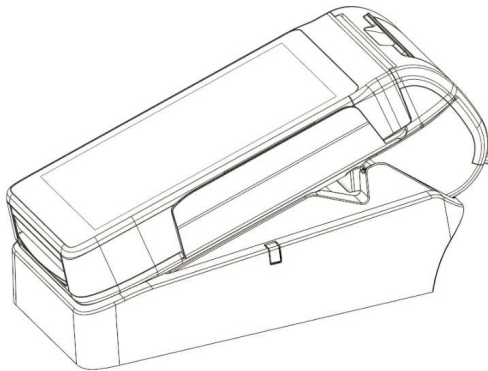


Figure 6

FEDERAL COMMUNICATIONS COMMISSION INTERFERENCE STATEMENT

This device complies with Part 15 of the FCC Rules. Operation is subject to the following two conditions: (1) This device may not cause harmful interference, and (2) this device must accept any interference received, including interference that may cause undesired operation.

Note: This equipment has been tested and found to comply with the limits for a Class A digital device, pursuant to part 15 of the FCC Rules. These limits are designed to provide reasonable protection against harmful interference when the equipment is operated in a commercial environment. This equipment generates, uses, and can radiate radio frequency energy and, if not installed and used in accordance with the instruction manual, may cause harmful interference to radio communications. Operation of this equipment in a residential area is likely to cause harmful interference in which case the user will be required to correct the interference at his own expense.

FCC Caution: Any changes or modifications not expressly approved by the party responsible for compliance could void the user's authority to operate this equipment.

This transmitter must not be co-located or operating in conjunction with any other antenna or transmitter.

Radiation Exposure Statement:

This equipment complies with FCC radiation exposure limits set forth for an uncontrolled environment. This equipment should be installed and operated with minimum distance 20cm between the radiator & your body.



XAC Automation Corporation
886-3-577-2738
www.xac.com.tw

The above information is the exclusive intellectual property of XAC Automation Corporation and shall not be disclosed, distributed or reproduced without permission of XAC Automation Corporation.

XAC AUTOMATION CORP. shall not be held liable for technical and editorial omissions or errors made herein; nor for incidental or consequential damages resulting from the furnishing, performance or use of his material.