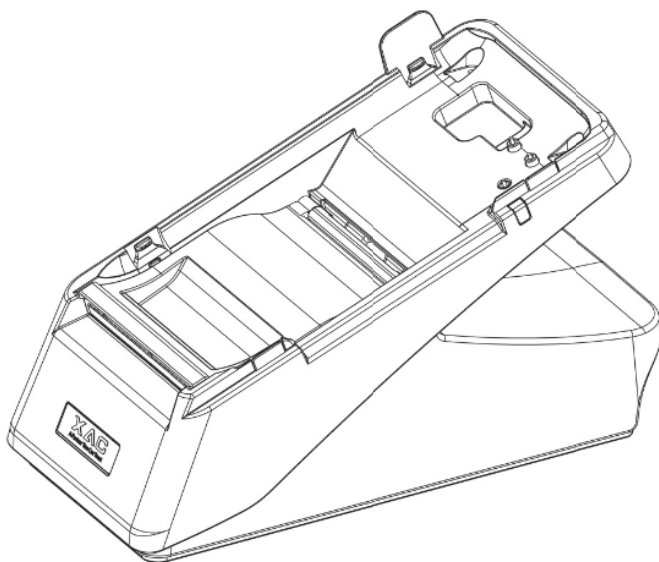


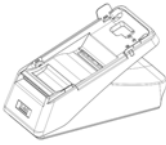
TERMINAL PAYMENT CRADLE

XC50

INSTALLATION GUIDE



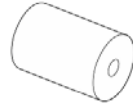
1. PACKAGE CONTENT



■ XC50



■ Power adaptor



■ Paper Roll

2. DEVICE OVERVIEW

XC50 Key Buttons & Interface Ports (**Figure 1**):

REAR

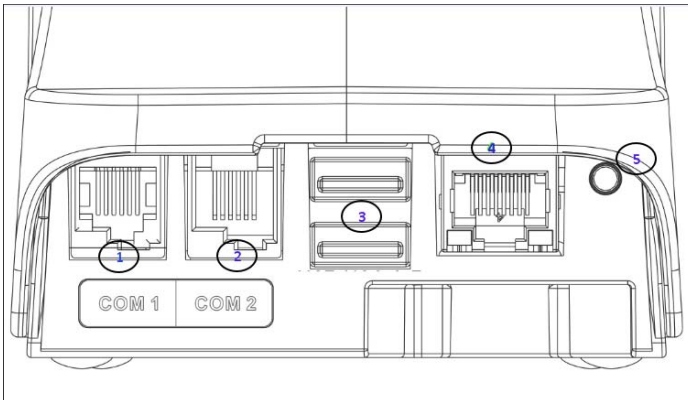


Figure 1

BACK AREA	1	COM1
	2	COM2
	3	USB
	4	RJ45
	5	Reset Button

FRONT

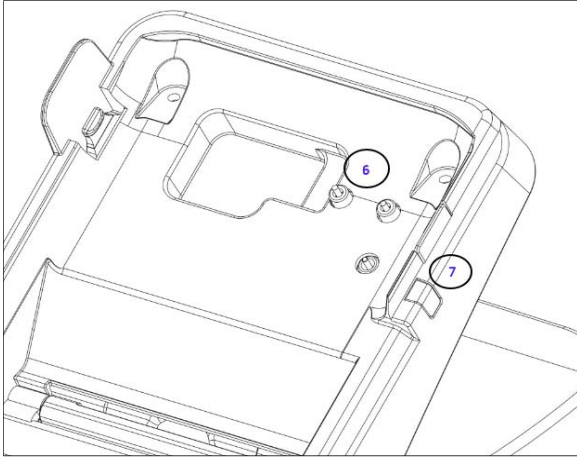


Figure 2

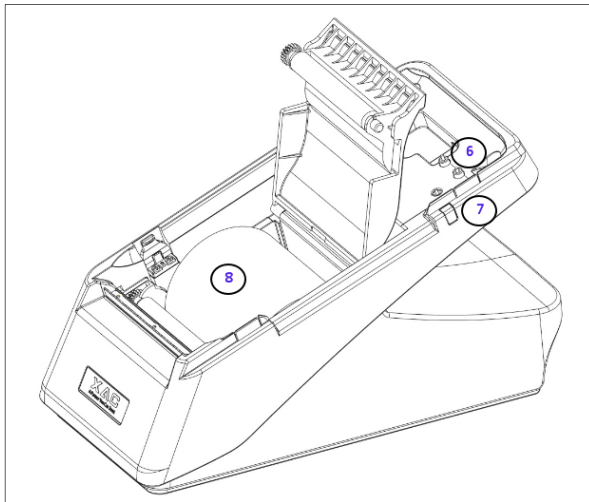


Figure 3

FRONT AREA	6	Charging Contact
	7	LED
	8	Paper Roll

BOTTOM

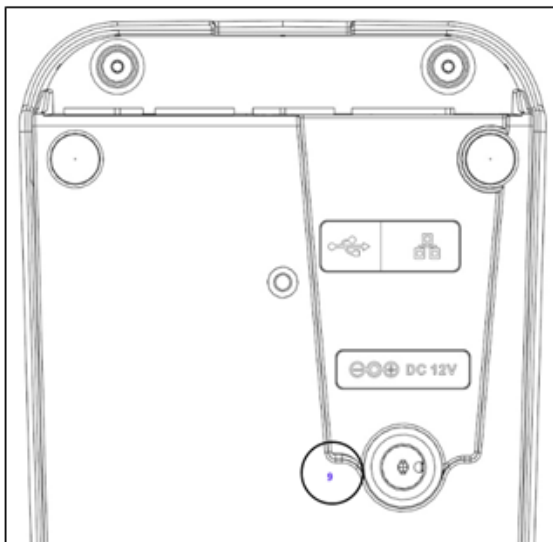


Figure 4

BOTTOM AREA	9	DC JACK
-------------	---	---------

■ XC50 Power spec:

Input: 12V DC, 3A

■ Power Adapter spec:

Input: 100 ~240 ac

Output: 12V DC, 3A



This symbol is intended to alert the user before starting using the POS.



Caution: This product shall be only used with a certified power supply unit which was

investigated according to the standard of IEC 60950-1, UL 60950-1 and CAN/CSA C22.2 No.

60950-1-07, CSA C22.2 No. 60950-1, and marked "I.T.E. LPS", and with operating temperature:

minimum 40°C, output rated: 12V DC, minimum 3 A.

- Operating Temperature: 0°C to 40°C

3. POWER ON/OFF THE DEVICE

To power on the device: Plug in the DC JACK

To power off the device: Plug off the DC JACK

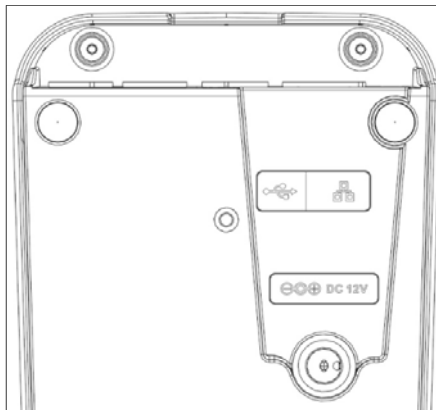


Figure 5

4. LED BEHAVIORS

Insert Power adapter and device will power up, there is a LED status:

- Location:
 - Top right corner (Figure 6)

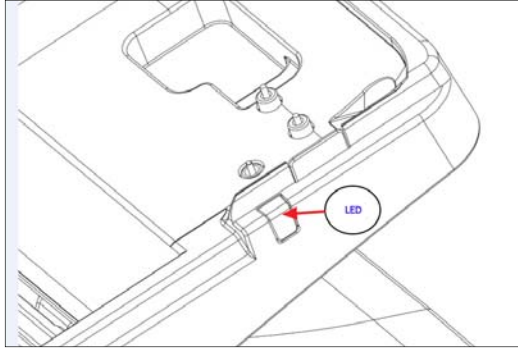


Figure 6

- Solid Red – XC50 is powered up and under booting process
- Solid Green – XC50 booting process is successfully completed
- Blinking Red –Firmware update process
- Red Light On –Error status (system errors and firmware upgrade failed)
- Solid Orange – For printer status

5. LOADING THE PAPER

Gently pop the printer cover's latch; then pull the cover (Figure 7). Load a roll of thermal paper into the printer. Load it so that the print-side of the paper will feed out facing the operator. Close the cover by pressing on the center of the printer cover. Use the serrated bar to tear off any excess paper.

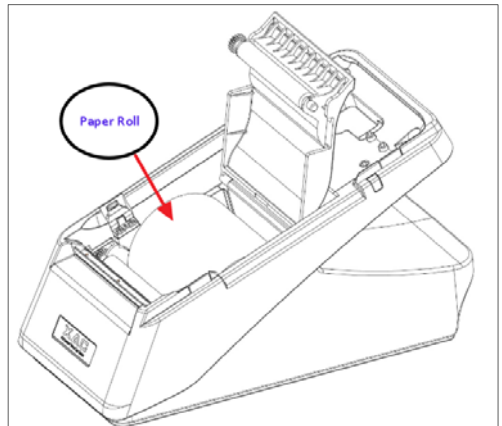
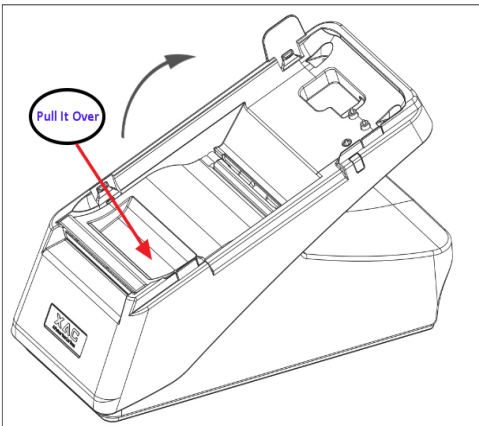


Figure 7

Federal Communication Commission Interference Statement

This device complies with Part 15 of the FCC Rules. Operation is subject to the following two conditions: (1) This device may not cause harmful interference, and (2) this device must accept any interference received, including interference that may cause undesired operation.

This equipment has been tested and found to comply with the limits for a Class B digital device, pursuant to Part 15 of the FCC Rules. These limits are designed to provide reasonable protection against harmful interference in a residential installation. This equipment generates, uses and can radiate radio frequency energy and, if not installed and used in accordance with the instructions, may cause harmful interference to radio communications. However, there is no guarantee that interference will not occur in a particular installation. If this equipment does cause harmful interference to radio or television reception, which can be determined by turning the equipment off and on, the user is encouraged to try to correct the interference by one of the following measures:

- Reorient or relocate the receiving antenna.
- Increase the separation between the equipment and receiver.
- Connect the equipment into an outlet on a circuit different from that
to which the receiver is connected.
- Consult the dealer or an experienced radio/TV technician for help.

FCC Caution: Any changes or modifications not expressly approved by the party responsible for compliance could void the user's authority to operate this equipment.

This transmitter must not be co-located or operating in conjunction with any other antenna or transmitter.

Radiation Exposure Statement:

This equipment complies with FCC radiation exposure limits set forth for an uncontrolled environment. This equipment should be installed and operated with minimum distance 20cm between the radiator & your body.

Note: The country code selection is for non-US model only and is not available to all US model. Per FCC regulation, all WiFi product marketed in US must fixed to US operation channels only.



XAC Automation Corporation
886-3-577-2738

The above information is the exclusive intellectual property of XAC Automation Corporation and shall not be disclosed, distributed or reproduced without permission of XAC Automation Corporation.