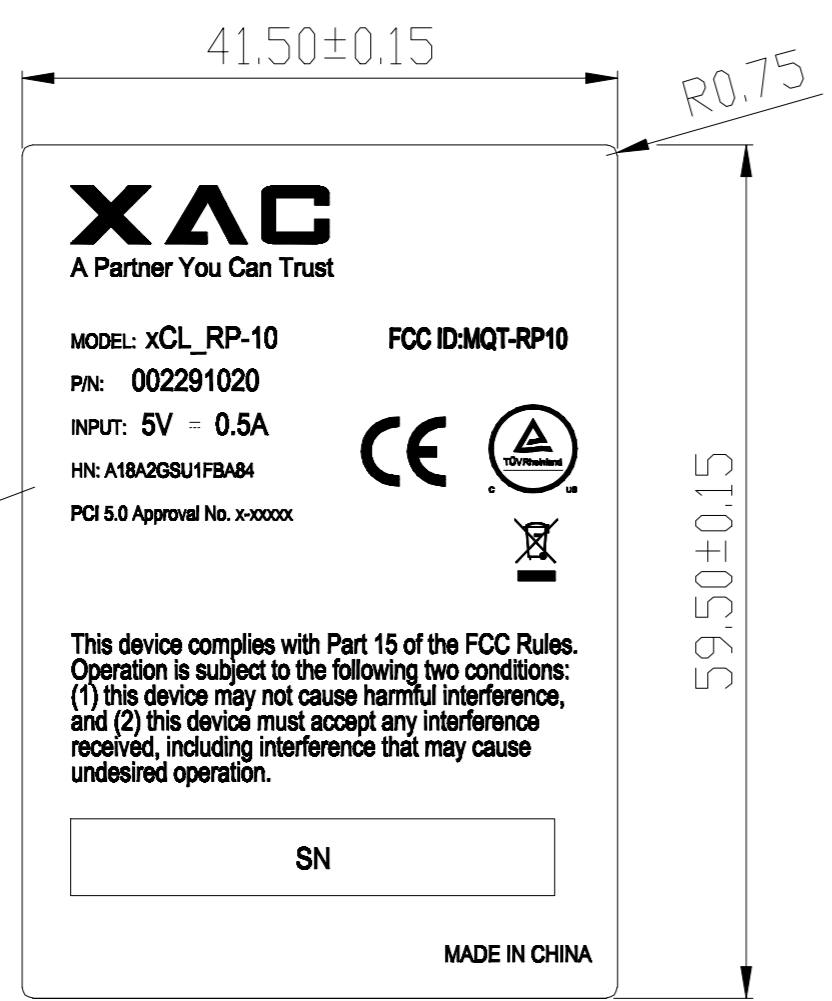
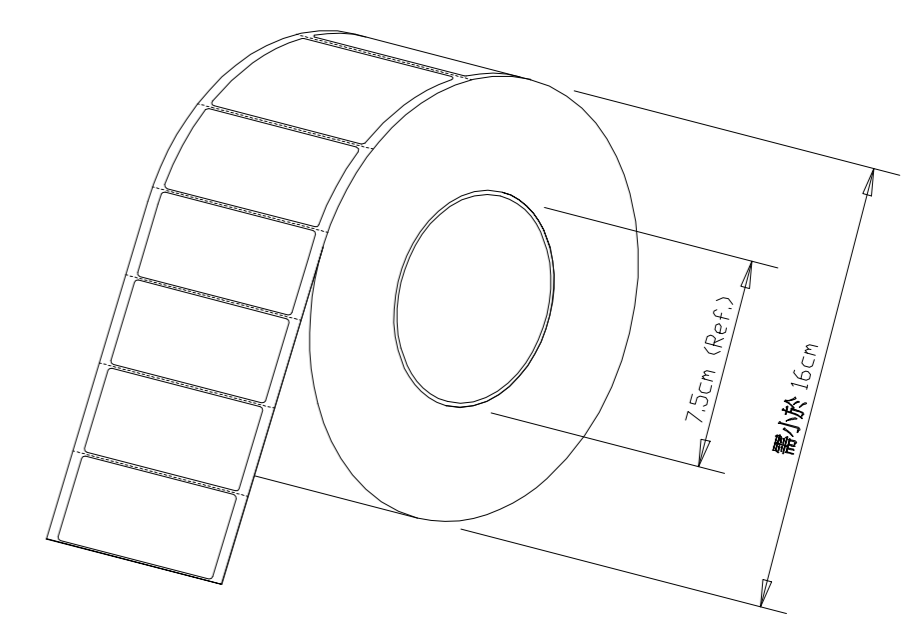
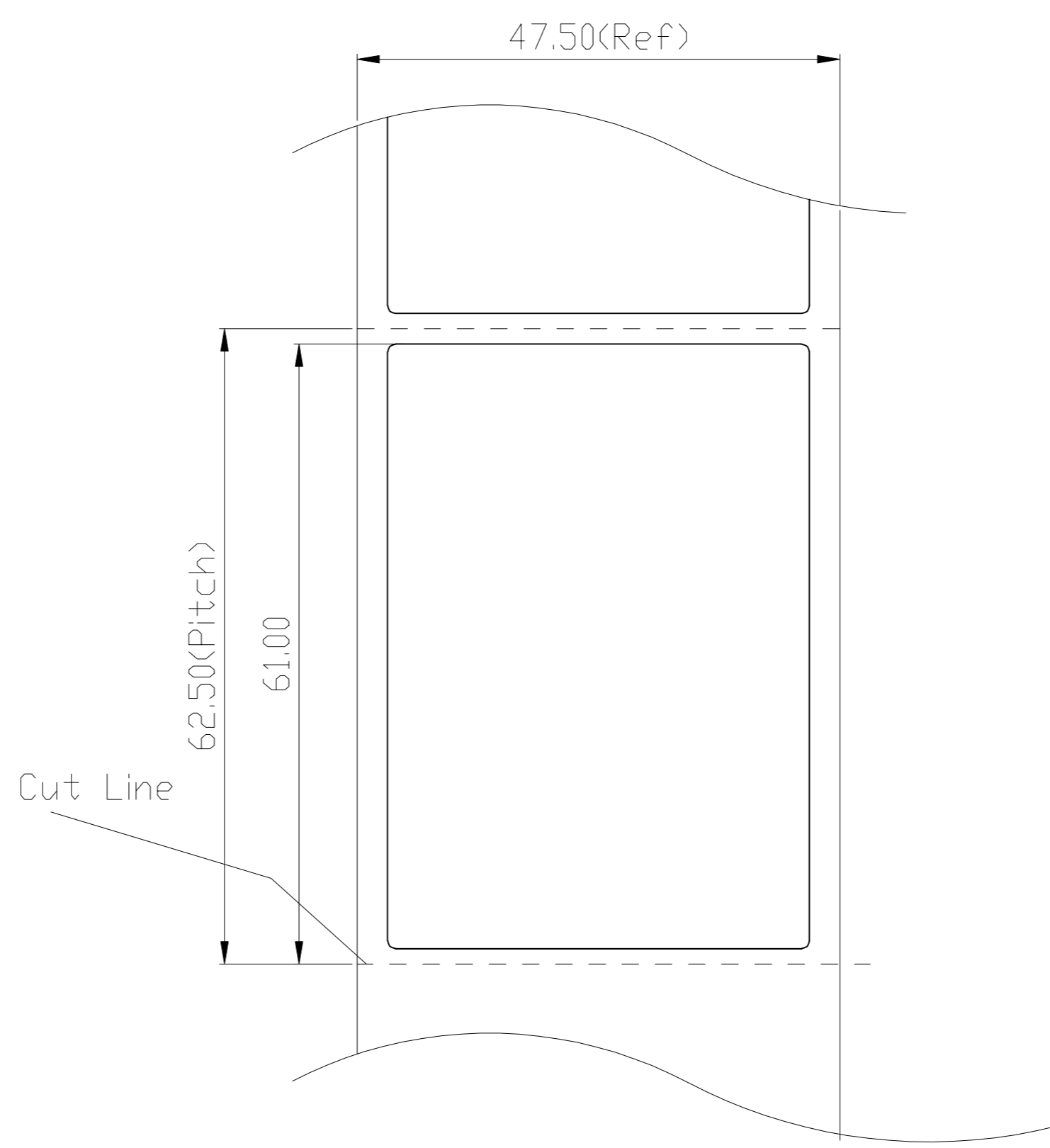


P / N 189616000



NOTE 8.9.10



- NOTES:
1. LABEL USED: 241905000
 2. PRINTING COLOR : PRINT PERMANENT BLACK OPAQUE INK.
 3. SURFACE TREATMENT : SURFACE WITH PET COATING.
 4. LINER SPEC : ROLL TYPE, GLASSING PAPER, 82 g^w/m² (REF.), SURFACE WITH SILICON COATING.
 5. THICKNESS : TOTAL THICKNESS TO BE 0.13±0.02mm.
 6. LABEL MARKING TO COMPLY WITH UL'S RECOGNIZED COMPONENT MARKING AND LABELING SYSTEMS. ALL LABEL MATERIAL AND ADHESIVE MUST BE UL COMPLIANT/CERTIFIED.
 7. FINISHED NEED TO MEET XAC'S RoHS REQUIREMENT.
 8. MODEL TEXT HEIGHT 1MM, FONT STYLE: ROMAN. (PRINT BY XAC).
 9. P/N: TEXT HEIGHT 1MM, FONT STYLE: ROMAN. (PRINT BY XAC).
 10. HN: TEXT HEIGHT 1MM, FONT STYLE: ROMAN. (PRINT BY XAC).

UNSPECIFIED TOLERANCE (±)							
CLASS	A	B	C	D	E	F	G
< 8 MM	0.05	0.1	0.1	0.2	0.2	0.4	0.4
8-25 MM	0.08	0.15	0.15	0.3	0.3	0.6	0.6
25-80 MM	0.12	0.2	0.25	0.4	0.5	0.8	1.0
80-250 MM	0.25	0.3	0.4	0.6	0.8	1.2	1.5
250-800 MM	0.5	0.6	0.8	1.0	1.5	2.0	3.0
> 800 MM	1.0	1.0	1.5	1.7	3.0	4.0	6.0
ANGLE	0.5°		RADIUS			R0.5	

3							
2							
1							
REV	LTR	DATE	EC NO.	REV. DESCRIPTION	DESIGNER	APPROVED	

UNLESS OTHERWISE SPECIFIED TOLERANCES ARE :		MODEL NO	RP10
X. ±0.35	ANGLE ±0.5°	APPROVED	DATE
.X ±0.20	RADIU R0.5	CHECKED	DATE
.XX ±0.10		DESIGNER	DATE
.XXX ±0.05		TONY	2017.7.18
MATERIAL :	SEE NOTE		
FINISH :	SEE NOTE		

0 ← mm → 20

DO NOT SCALE DRAWING

THIRD ANGLE PROJECTION

PAPER SIZE: A4

XAC A Partner You Can Trust XAC Automation Corp.

TITLE LABEL ASSY PRODUCT RP10(ROHS)

DWG NO. 189616000_A01 VER. A01

XAC

A Partner You Can Trust

MODEL: xCL_RP-10 FCC ID:MQT-RP10

P/N: XXXXXXXXX

INPUT: 5V = 0.5A



This device complies with Part 15 of the FCC Rules.
Operation is subject to the following two conditions:
(1) this device may not cause harmful interference,
and (2) this device must accept any interference
received, including interference that may cause
undesired operation.

MADE IN CHINA

