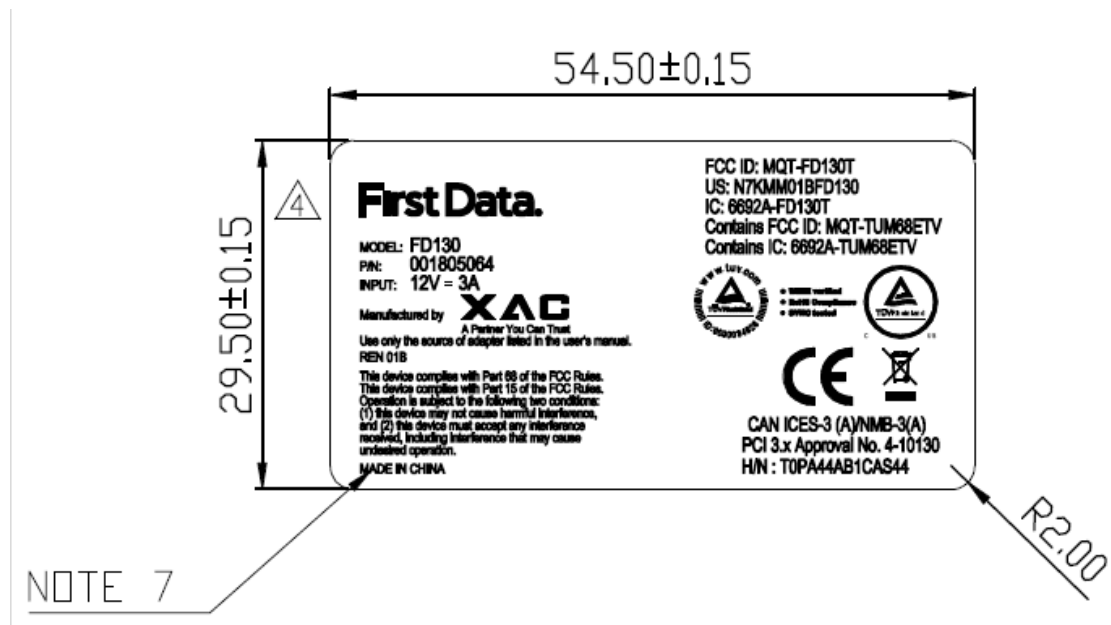
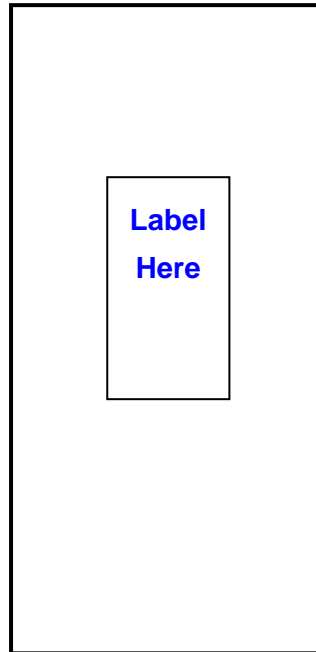


# LABEL LOCATION

The label will be permanently affixed at a conspicuous location on the device.

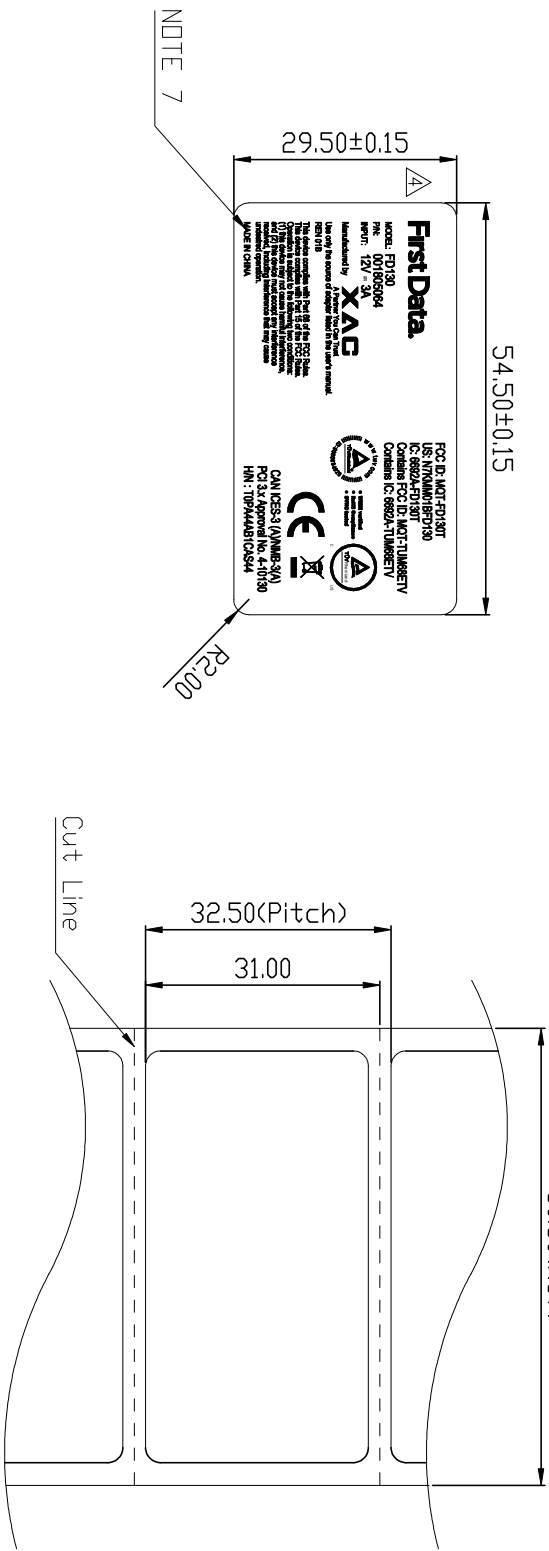
Back Side:



**IC: 6692A-FD130T**

**FCC ID: MQT-FD130T**

P / N 241683000



- NOTES:
1. MATERIAL : PET 0.05mm THK, (+/-10%) WITH BACK ACRYLIC ADHESIVE.
  2. PRINTING COLOR : PRINT PERMANENT BLACK OPAQUE INK.
  3. SURFACE TREATMENT : SURFACE WITH PET COATING.
  4. LINER SPEC : ROLL TYPE, GLASSING PAPER, 82 g/w<sup>2</sup> (REF.), SURFACE WITH SILICON COATING.
  5. THICKNESS : TOTAL THICKNESS TD BE 0.13±0.02mm.
  6. LABEL MARKING TO COMPLY WITH UL'S RECOGNIZED COMPONENT MARKING AND LABELING SYSTEMS. ALL LABEL MATERIAL AND ADHESIVE MUST BE UL COMPLIANT/CERTIFIED.
  7. "XXXXXX" WILL BE "TAIWAN" OR "CHINA" DEPEND ON MANUFACTURE LOCATION.
  8. FINISHED NEED TO MEET XAC'S ROHS REQUIREMENT.

△5	2016.07.29	Change FCC ID, Add wifi FCC ID	Bear huang
△4	2015.12.31	Change FDC logo	Bear huang
△3	2015.03.27	Change HN from TOP4444B1CAS41 to TOP4444B1CAS44	Bear huang
△2	2014.12.19	Del FCC mark	Bear huang
△1	2013.03.11	Add PCI ND. & H/N ND.	Bear huang

UNLESS OTHERWISE SPECIFIED TOLERANCES ARE :	MODEL NO	FJ130
X, ±0.35 ANGLE ±0.5°	APPROVED	
.X ±0.20 RADII R0.5	CHECKED	
.XX ±0.10	DATE	
.XXX ±0.05	DATE	

DO NOT SCALE DRAWING	THIRD ANGLE PROJECTION	TITLE	XAC
PAPER SIZE: A4		LABEL PRODUCT W/MODEM/LAN F100GT V2(RHS)	XAC Automation Corp.

CLASS	UNSPECIFIED TOLERANCE (±)							
	A	B	C	D	E	F	G	
< 8 MM	0.05	0.1	0.1	0.2	0.2	0.4	0.4	
8-25 MM	0.08	0.15	0.15	0.3	0.3	0.6	0.6	
25-80 MM	0.12	0.2	0.25	0.4	0.5	0.8	1.0	
80-250 MM	0.25	0.3	0.4	0.6	0.8	1.2	1.5	
250-800 MM	0.5	0.6	0.8	1.0	1.5	2.0	3.0	
> 800 MM	1.0	1.0	1.5	1.7	3.0	4.0	6.0	
ANGLE	0.5°						RADIUS	R0.5

REV LTR	DATE	EC NO.	REV. DESCRIPTION	DESIGNER	APPROVED	FINISH :	SEE NOTE	DESIGNER	BLANCA CHEN	DATE	2012.06.27	PAPER SIZE:	A4	DWG NO.	241683000	VER.	C06
---------	------	--------	------------------	----------	----------	----------	----------	----------	-------------	------	------------	-------------	----	---------	-----------	------	-----

DESIGNER	BLANCA CHEN	DATE	2012.06.27
THIRD ANGLE PROJECTION		TITLE	LABEL PRODUCT W/MODEM/LAN F100GT V2(RHS)
PAPER SIZE: A4		DWG NO.	241683000
		VER.	C06