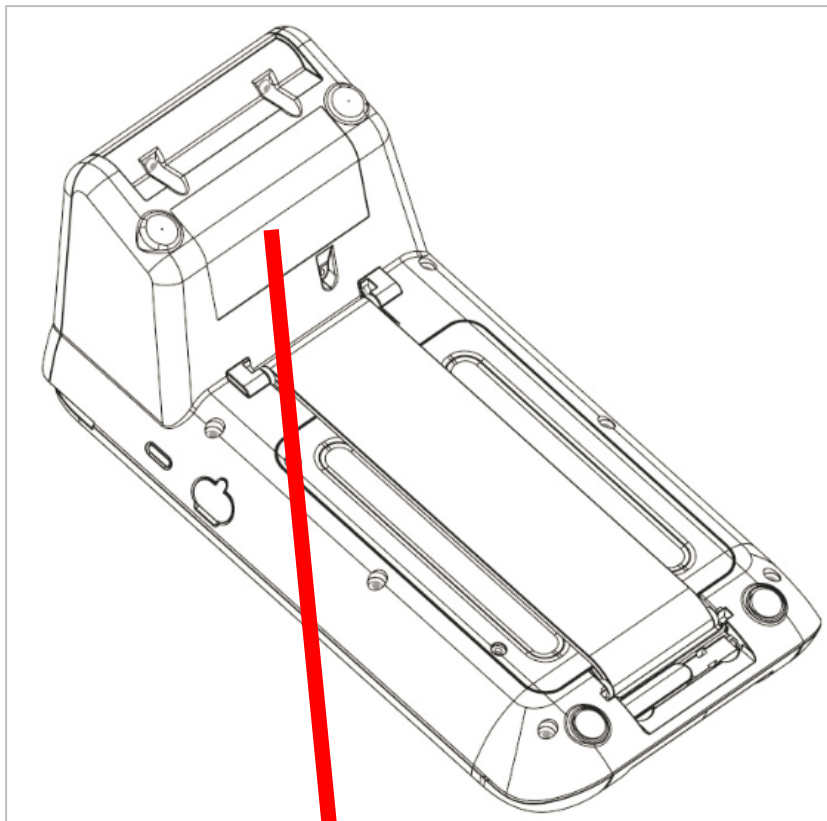
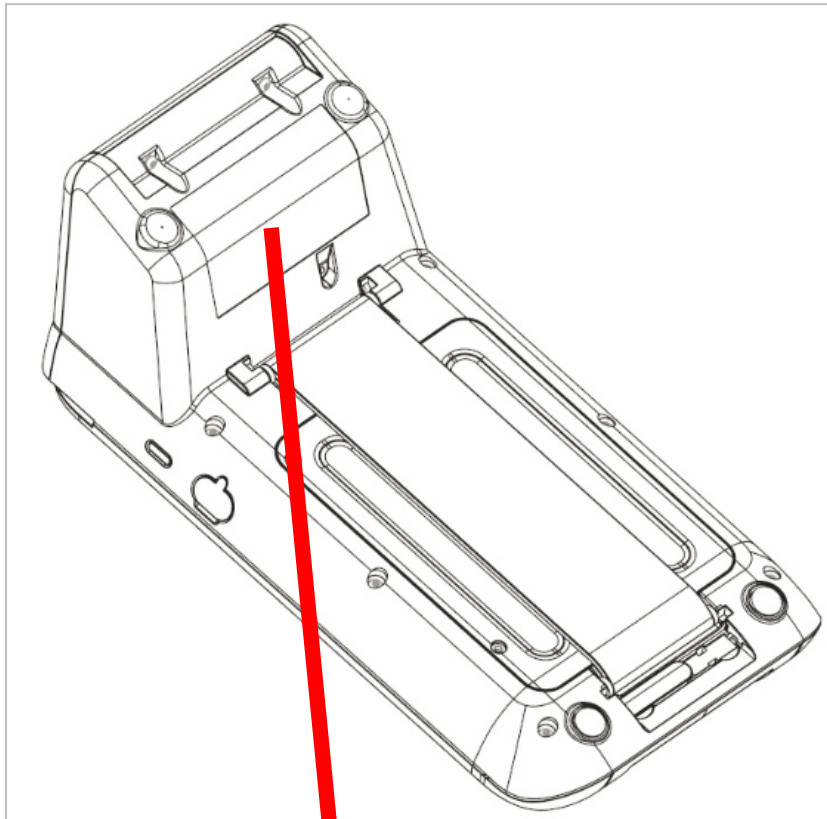


Label Location and format for XAC



<h1>XAC</h1> <p><b>A Partner You Can Trust</b></p>	<p>IC: 6692A-AT170R18W          CAN ICES-03(B)/NMB-3(B)          FCC ID: MQT-AT170R18W          INPUT : 5 VDC <math>\equiv</math> 2 A          PCI 5.0 Approval No.: X-XXXXX</p>
<p>MODEL : xCL_AT-170-R-18W          P/N : XXXXXXXXXX          S/N : XXXXXXXXXX</p>	<p>Use only the source of adapter listed in the user's manual.          Utilisez uniquement la source de l'adaptateur indiqués dans le manuel de l'utilisateur.          This device complies with Part 15 of the FCC Rules.          Operation is subject to the following two conditions:          (1) this device may not cause harmful interference,          and (2) this device must accept any interference received, including interference that may cause undesired operation.</p>
<p>IMEI 1: XXXXXXXXXXXXXXXX</p>	<p><b>CE</b></p> <p>Date : XXX.XX.XXXX          Rev : XXX          Made in China</p>
<p>IMEI 2: XXXXXXXXXXXXXXXX</p> <p>H/N: XXXXXXXXXXXXXXXX</p>	

# Label Location and format for Utimaco



**utimaco**® IC: 6692A-AT170R18W  
CAN ICES-03(B)/NMB-3(B)  
FCC ID: MQT-AT170R18W  
INPUT: 5V  $\overline{=}$  2A  
PCI 5.0 Approval No. x-xxxxx  
Use only the source of adapter listed in the user's manual.  
Utilisez uniquement la source d'adaptateur répertoriée dans le manuel de l'utilisateur.  
This device complies with Part 15 of the FCC Rules. Operation is subject to the following two conditions: (1) This device may not cause harmful interference, and (2) this device must accept any interference received, including interference that may cause undesired operation.

**Model: Utimaco C3**  
**P/N: xxxxxxxxx**  
**H/N: xxxxxxxxxxxxxxxxx**  
**S/N: xxxxxxxxxxxxxxxxx**

Barcode Area

**XAC Model: xCL\_AT-170-R-18W**

Date: XXXX/XX/XX  
Version: C01  
MADE IN CHINA BY **XAC**  
A Partner You Can Trust

