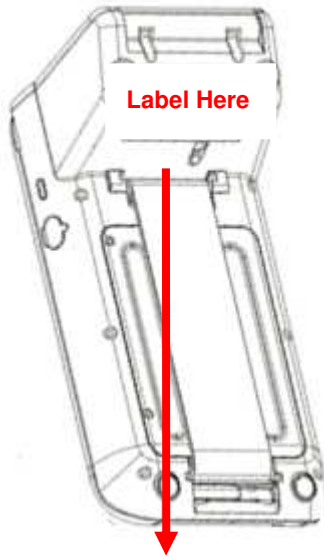




LABEL LOCATION

The label will be permanently affixed at a conspicuous location on the device.



XAC A Partner You Can Trust MODEL : xCL_AT-170-R-18U P/N : XXXXXXXXXX S/N : XXXXXXXXXX <div style="border: 1px solid black; padding: 2px; text-align: center; font-size: small;">PRINT S/N BAR CODE INSIDE THIS AREA</div> IMEI: XXXXXXXXXXXXXXXXX <div style="border: 1px solid black; padding: 2px; text-align: center; font-size: small;">PRINT S/N BAR CODE INSIDE THIS AREA</div> H/N: XXXXXXXXXXXXXXXXX Date : XXX.XX.XXXX Rev : XXX	IC : 6692A-AT170R18U CAN ICES-3(B)/NMB-3(B) FCC ID: MQT - AT170R18U INPUT : 5 VDC \equiv 2 A PCI 5.0 Approval No.: X-XXXXX Use only the source of adapter listed in the user's manual. Utilisez uniquement la source de l'adaptateur indiqués dans le manuel de l'utilisateur. This device complies with Part 15 of the FCC Rules. Operation is subject to the following two conditions: (1) this device may not cause harmful interference, and (2) this device must accept any interference received, including interference that may cause undesired operation. <div style="display: flex; justify-content: space-around; align-items: center;"><div style="text-align: center;"> C US</div><div style="text-align: center;"> RECYCLED</div></div> <p style="text-align: center;">Made in China</p>
--	---