

Supplemental “Transmit Simultaneously” Test Report

Report No.: RF170907E01-4

FCC ID: MQT-AT15017U

Test Model: xCL_AT-150-17U

Received Date: Sep. 07, 2017

Test Date: Aug. 22 to Oct. 03, 2017

Issued Date: Oct. 05, 2017

Applicant: XAC AUTOMATION CORP.

Address: 4F, No. 30, INDUSTRY E. RD. IX, SCIENCE-BASED INDUSTRIAL
PARK,HSINCHU,TAIWAN

Issued By: Bureau Veritas Consumer Products Services (H.K.) Ltd., Taoyuan Branch
Hsin Chu Laboratory

Lab Address: E-2, No.1, Li Hsin 1st Road, Hsinchu Science Park, Hsinchu City 300,
Taiwan R.O.C.

Test Location: E-2, No.1, Li Hsin 1st Road, Hsinchu Science Park, Hsinchu City 300,
Taiwan R.O.C.



This report is for your exclusive use. Any copying or replication of this report to or for any other person or entity, or use of our name or trademark, is permitted only with our prior written permission. This report sets forth our findings solely with respect to the test samples identified herein. The results set forth in this report are not indicative or representative of the quality or characteristics of the lot from which a test sample was taken or any similar or identical product unless specifically and expressly noted. Our report includes all of the tests requested by you and the results thereof based upon the information that you provided to us. You have 60 days from date of issuance of this report to notify us of any material error or omission caused by our negligence, provided, however, that such notice shall be in writing and shall specifically address the issue you wish to raise. A failure to raise such issue within the prescribed time shall constitute your unqualified acceptance of the completeness of this report, the tests conducted and the correctness of the report contents. Unless specific mention, the uncertainty of measurement has been explicitly taken into account to declare the compliance or non-compliance to the specification. This report should not be used by the client to claim product certification, approval, or endorsement by TAF or any government agencies.

Table of Contents

Release Control Record	3
1 Certificate of Conformity	4
2 Summary of Test Results	5
2.1 Measurement Uncertainty	5
2.2 Modification Record	5
3 General Information	6
3.1 General Description of EUT	6
3.1.1 Test Mode Applicability and Tested Channel Detail	8
3.2 Description of Support Units	10
3.2.1 Configuration of System under Test	11
4 Test Types and Results	12
4.1 Radiated Emission and Bandedge Measurement	12
4.1.1 Limits of Radiated Emission and Bandedge Measurement	12
4.1.2 Test Instruments	13
4.1.3 Test Procedures	14
4.1.4 Deviation from Test Standard	14
4.1.5 Test Setup	15
4.1.6 EUT Operating Conditions	16
4.1.7 Test Results	17
4.2 Conducted Emission Measurement	22
4.2.1 Limits of Conducted Emission Measurement	22
4.2.2 Test Instruments	22
4.2.3 Test Procedures	23
4.2.4 Deviation from Test Standard	23
4.2.5 Test Setup	23
4.2.6 EUT Operating Conditions	23
4.2.7 Test Results (Mode 1)	24
4.2.8 Test Results (Mode 2)	26
4.3 Conducted Out of Band Emission Measurement	28
4.3.1 Limits of Conducted Out of Band Emission Measurement	28
4.3.2 Test Setup	28
4.3.3 Test Instruments	28
4.3.4 Test Procedures	28
4.3.5 Deviation from Test Standard	28
4.3.6 EUT Operating Conditions	28
4.3.7 Test Results	28
5 Pictures of Test Arrangements	30
Appendix – Information on the Testing Laboratories	31

Release Control Record

Issue No.	Description	Date Issued
RF170907E01-4	Original release.	Oct. 05, 2017

1 Certificate of Conformity

Product: Terminal

Brand: XAC

Test Model: xCL_AT-150-17U

Sample Status: ENGINEERING SAMPLE

Applicant: XAC AUTOMATION CORP.

Test Date: Aug. 22 to Oct. 03, 2017

Standards: 47 CFR FCC Part 15, Subpart C (Section 15.247)
47 CFR FCC Part 15, Subpart C (Section 15.225)
47 CFR FCC Part 15, Subpart C (Section 15.215)
FCC Part 24
FCC Part 2
ANSI C63.10: 2013

The above equipment has been tested by **Bureau Veritas Consumer Products Services (H.K.) Ltd., Taoyuan Branch**, and found compliance with the requirement of the above standards. The test record, data evaluation & Equipment Under Test (EUT) configurations represented herein are true and accurate accounts of the measurements of the sample's EMC characteristics under the conditions specified in this report.

Prepared by : Mary Ko , **Date:** Oct. 05, 2017
Mary Ko / Specialist

Approved by : May Chen , **Date:** Oct. 05, 2017
May Chen / Manager

2 Summary of Test Results

47 CFR FCC Part 15, Subpart C (SECTION 15.247, 15.225, 15.215) FCC Part 24 & Part 2			
FCC Clause	Test Item	Result	Remarks
15.207	AC Power Conducted Emission	PASS	Meet the requirement of limit. Minimum passing margin is -7.78dB at 2.6875MHz.
15.205 / 15.209 / 15.247(d)	Radiated Emissions and Band Edge Measurement	PASS	Meet the requirement of limit. Minimum passing margin is -5.1dB at 244.01MHz.
2.1053 24.238	Radiated Spurious Emissions	Pass	Meet the requirement of limit. Minimum passing margin is -29.28dB at 5557.2MHz.

2.1 Measurement Uncertainty

Where relevant, the following measurement uncertainty levels have been estimated for tests performed on the EUT as specified in CISPR 16-4-2:

Measurement	Frequency	Expanded Uncertainty (k=2) (\pm)
Conducted Emissions at mains ports	150kHz ~ 30MHz	1.84 dB
Radiated Emissions up to 1 GHz	30MHz ~ 1GHz	5.30 dB
Radiated Emissions above 1 GHz	1GHz ~ 6GHz	5.16 dB
	6GHz ~ 18GHz	4.91 dB
	18GHz ~ 40GHz	5.30 dB

2.2 Modification Record

There were no modifications required for compliance.

3 General Information

3.1 General Description of EUT

Product	Terminal
Brand	XAC
Model No.	xCL_AT-150-17U
Status of EUT	ENGINEERING SAMPLE
Power Supply Rating	DC 3.85V from battery or DC 5V from USB interface
Modulation Type	WLAN: CCK, DQPSK, DBPSK for DSSS 64QAM, 16QAM, QPSK, BPSK for OFDM BT-EDR: GFSK, $\pi/4$ -DQPSK, 8DPSK BT-LE: GFSK NFC: ASK
Modulation Technology	WLAN: DSSS, OFDM BT-EDR: FHSS BT-LE: DTS
Transfer Rate	WLAN: 802.11b: up to 11Mbps 802.11g: up to 54Mbps 802.11n: up to 150Mbps BT-EDR: Up to 3Mbps BT-LE: Up to 1Mbps
Operating Frequency	WLAN: 2.412 ~ 2.462GHz BT-EDR: 2402MHz ~ 2480MHz BT-LE: 2402MHz ~ 2480MHz NFC: 13.56MHz
Number of Channel	WLAN: 802.11b, 802.11g, 802.11n (HT20): 11 802.11n (HT40): 7 BT-EDR: 79 BT-LE: 40 NFC: 1
Antenna Type	Refer to Note
Antenna Connector	Refer to Note
Accessory Device	Li-ion Battery x1 (option)
Data Cable Supplied	NA

Note:

1. There are WLAN, WWAN, Bluetooth and NFC technology used for the EUT.
2. Simultaneously transmission condition.

Condition	Technology		
1	WLAN (2.4GHz)	Bluetooth	NFC
2	WWAN module (FCC ID: QISMU509-65)		NFC

Note: The emission of the simultaneous operation has been evaluated and no non-compliance was found.

The antennas provided to the EUT, please refer to the following table:

WWAN Antenna Spec.					
Brand	Model	Ant. Gain (dBi)	Frequency range (MHz)	Antenna Type	Antenna Connector
INPAQ	WA-F-US-02-002	0.24	FDD 2: US(1850 -1910)	PCB	i-pex(MHF)
		-1.78	FDD 5: US(824-849)		
WLAN / Bluetooth Antenna Spec.					
Brand	Model	Ant. Gain (dBi)	Frequency range (MHz)	Antenna Type	Antenna Connector
ACX	AT3216-T2R4PAAT/LF	1.5	2400MHz~2500	chip	none
RFID Antenna Spec.					
Brand	Model	Ant. Gain (dBi)	Frequency range (MHz)	Antenna Type	Antenna Connector
XAC	ASM T103P	13	13.56MHz	Wire	none

3. The EUT power needs to be supplied from one power adapter or battery, the information is as below table:

Power adapter (only for test not for sale)			
Brand	Model Name	Specification	
MASS POWER	NBS10B050200VEU	Input: AC100-240V, 0.3A, 50~60Hz Output: DC 5V, 2A DC output cable (Shielded, 1.2 m)	
Li-ion Battery (option)			
Brand	Model Name	Specification	Remark
TWS	E200NP	3.85V, 2900mAh, 11.17Wh	Black

4. For radiated emissions, the EUT was pre-tested under the following modes:

Test Mode	Description
Mode A	Power from laptop
Mode B	Power from adapter
Mode C	Power from battery

From the above modes, the worst case was found in **Mode A**. Therefore only the test data of the mode was recorded in this report.

5. The EUT incorporates a SISO function.

MODULATION MODE	DATA RATE (MCS)	TX & RX CONFIGURATION	
802.11b	1 ~ 11Mbps	1TX	1RX
802.11g	6 ~ 54Mbps	1TX	1RX
802.11n (HT20)	MCS 0~7	1TX	1RX
802.11n (HT40)	MCS 0~7	1TX	1RX

6. The above EUT information is declared by manufacturer and for more detailed features description, please refer to the manufacturer's specifications or user's manual.

3.1.1 Test Mode Applicability and Tested Channel Detail

EUT Configure Mode	Applicable To				Description
	RE \geq 1G	RE<1G	PLC	OB	
1	√	√	√	√	Power from laptop
2	-	-	√	-	Power from adapter

Where **RE \geq 1G**: Radiated Emission above 1GHz **RE<1G**: Radiated Emission below 1GHz
PLC: Power Line Conducted Emission **OB**: Conducted Out-Band Emission Measurement

NOTE: "-" means no effect.

Radiated Emission Test (Above 1GHz):

Following channel(s) was (were) selected for the final test as listed below.

MODE	AVAILABLE CHANNEL	TESTED CHANNEL	MODULATION TYPE
802.11g + BT-EDR + NFC	1 to 11	6	DBPSK
	0 to 78	0	GFSK
	1	1	ASK
WCDMA Band II + NFC	9262 to 9538	9262	QPSK
	1	1	ASK

Radiated Emission Test (Below 1GHz):

Following channel(s) was (were) selected for the final test as listed below.

MODE	AVAILABLE CHANNEL	TESTED CHANNEL	MODULATION TYPE
802.11g + BT-EDR + NFC	1 to 11	6	DBPSK
	0 to 78	0	GFSK
	1	1	ASK
WCDMA Band II + NFC	9262 to 9538	9262	QPSK
	1	1	ASK

Power Line Conducted Emission Test:

Following channel(s) was (were) selected for the final test as listed below.

MODE	AVAILABLE CHANNEL	TESTED CHANNEL	MODULATION TYPE
802.11g + BT-EDR + NFC	1 to 11	6	DBPSK
	0 to 78	0	GFSK
	1	1	ASK

Conducted Out-Band Emission Measurement:

Following channel(s) was (were) selected for the final test as listed below.

MODE	AVAILABLE CHANNEL	TESTED CHANNEL	MODULATION TYPE
802.11g + BT-EDR	1 to 11	6	DBPSK
	0 to 78	0	GFSK

Test Condition:

APPLICABLE TO	ENVIRONMENTAL CONDITIONS	INPUT POWER (SYSTEM)	TESTED BY
RE≥1G	24deg. C, 65%RH	120Vac, 60Hz	JyunChun Lin
RE<1G	23deg. C, 63%RH	120Vac, 60Hz	JyunChun Lin
PLC	26deg. C, 73%RH	120Vac, 60Hz	Andy Ho
OB	26deg. C, 73%RH	120Vac, 60Hz	Andy Ho

3.2 Description of Support Units

The EUT has been tested as an independent unit together with other necessary accessories or support units. The following support units or accessories were used to form a representative test configuration during the tests.

ID	Product	Brand	Model No.	Serial No.	FCC ID	Remarks
A.	Laptop	HP	Pavilion 14-ab023TU	5CD5340WXZ	NA	Provided by Lab
B.	SIM Card	NA	NA	NA	NA	Supplied by client
C.	IC Card	NA	NA	NA	NA	Supplied by client
D.	Magnetic Card	NA	NA	NA	NA	Supplied by client
E.	NFC Card	NA	NA	NA	NA	Supplied by client
F.	SAM Card	NA	NA	NA	NA	Supplied by client
G.	Adapter	MASS	NBS10B050200VEU	NA	NA	Supplied by client

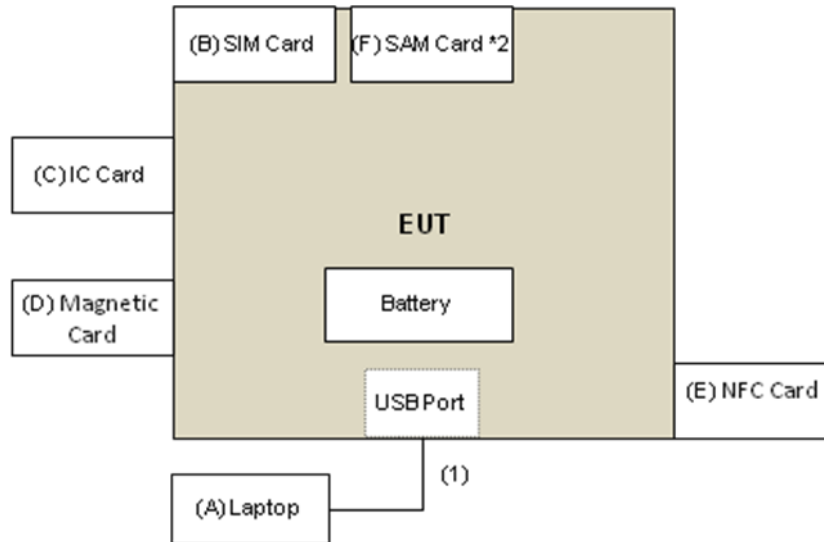
Note:

1. All power cords of the above support units are non-shielded (1.8m).

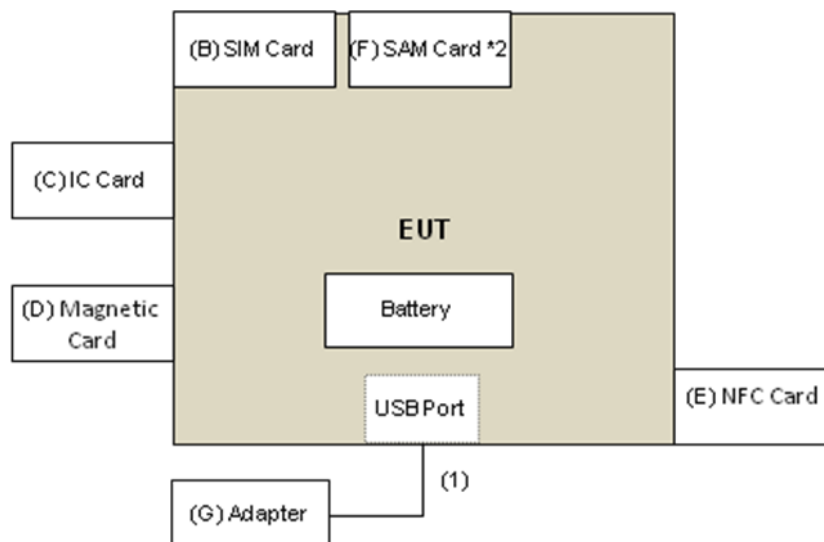
ID	Descriptions	Qty.	Length (m)	Shielding (Yes/No)	Cores (Qty.)	Remarks
1.	USB Cable	1	1.2	Yes	0	Supplied by client

3.2.1 Configuration of System under Test

Mode 1:



Mode 2:



4 Test Types and Results

4.1 Radiated Emission and Bandedge Measurement

4.1.1 Limits of Radiated Emission and Bandedge Measurement

Radiated emissions which fall in the restricted bands must comply with the radiated emission limits specified as below table.

Frequencies (MHz)	Field Strength (microvolts/meter)	Measurement Distance (meters)
0.009 ~ 0.490	2400/F(kHz)	300
0.490 ~ 1.705	24000/F(kHz)	30
1.705 ~ 30.0	30	30
30 ~ 88	100	3
88 ~ 216	150	3
216 ~ 960	200	3
Above 960	500	3

NOTE:

1. The lower limit shall apply at the transition frequencies.
2. Emission level (dBuV/m) = 20 log Emission level (uV/m).
3. For frequencies above 1000MHz, the field strength limits are based on average detector, however, the peak field strength of any emission shall not exceed the maximum permitted average limits, specified above by more than 20dB under any condition of modulation.

4.1.2 Test Instruments

DESCRIPTION & MANUFACTURER	MODEL NO.	SERIAL NO.	CALIBRATED DATE	CALIBRATED UNTIL
Test Receiver Keysight	N9038A	MY54450088	July 08, 2017	July 07, 2018
Pre-Amplifier ^(*) EMCI	EMC001340	980142	Jan. 20, 2016	Jan. 19, 2018
Loop Antenna ^(*) Electro-Metrics	EM-6879	264	Dec. 16, 2016	Dec. 15, 2018
RF Cable	NA	LOOPCAB-001 LOOPCAB-002	Jan. 17, 2017	Jan. 16, 2018
Pre-Amplifier Mini-Circuits	ZFL-1000VH2B	AMP-ZFL-01	Nov. 10, 2016	Nov. 09, 2017
Trilog Broadband Antenna SCHWARZBECK	VULB 9168	9168-406	Dec. 13, 2016	Dec. 12, 2017
RF Cable	8D	966-4-1 966-4-2 966-4-3	Apr. 01, 2017	Mar. 31, 2018
Fixed attenuator Mini-Circuits	UNAT-5+	PAD-3m-4-01	Oct. 05, 2016	Oct. 04, 2017
Horn_Antenna SCHWARZBECK	BBHA 9120D	9120D-783	Dec. 27, 2016	Dec. 26, 2017
Pre-Amplifier EMCI	EMC12630SE	980385	Feb. 02, 2017	Feb. 01, 2018
RF Cable	EMC104-SM-SM-1200 EMC104-SM-SM-2000 EMC104-SM-SM-5000	160923 150318 150321	Feb. 02, 2017 Mar. 29, 2017 Mar. 29, 2017	Feb. 01, 2018 Mar. 28, 2018 Mar. 28, 2018
Pre-Amplifier EMCI	EMC184045SE	980387	Feb. 02, 2017	Feb. 01, 2018
Horn_Antenna SCHWARZBECK	BBHA 9170	BBHA9170608	Dec. 15, 2016	Dec. 14, 2017
RF Cable	SUCOFLEX 102	36432/2 36433/2	Jan. 15, 2017	Jan. 14, 2018
Software	ADT_Radiated_V8.7.08	NA	NA	NA
Antenna Tower & Turn Table Max-Full	MF-7802	MF780208410	NA	NA
Boresight Antenna Fixture	FBA-01	FBA-SIP02	NA	NA
Spectrum Analyzer R&S	FSV40	100964	July 1, 2017	June 30, 2018
Power meter Anritsu	ML2495A	1014008	May 11, 2017	May 10, 2018
Power sensor Anritsu	MA2411B	0917122	May 11, 2017	May 10, 2018

Note:

1. The calibration interval of the above test instruments is 12 months and the calibrations are traceable to NML/ROC and NIST/USA.
2. *The calibration interval of the above test instruments is 24 months and the calibrations are traceable to NML/ROC and NIST/USA.
3. The test was performed in 966 Chamber No. 4.
4. Loop antenna was used for all emissions below 30 MHz.
5. The FCC Designation Number is TW2022. The number will be varied with the Lab location and scope as attached.
6. The CANADA Site Registration No. is 20331-2
7. Tested Date: Aug. 22 to Oct. 03, 2017.

4.1.3 Test Procedures

For Radiated emission below 30MHz

- a. The EUT was placed on the top of a rotating table 0.8 meters above the ground at a 3 meter chamber room. The table was rotated 360 degrees to determine the position of the highest radiation.
- b. The EUT was set 3 meters away from the interference-receiving antenna, which was mounted on the top of a variable-height antenna tower.
- c. Both X and Y axes of the antenna are set to make the measurement.
- d. For each suspected emission, the EUT was arranged to its worst case and the rotatable table was turned from 0 degrees to 360 degrees to find the maximum reading.
- e. The test-receiver system was set to Quasi-Peak Detect Function and Specified Bandwidth with Maximum Hold Mode.

NOTE:

1. The resolution bandwidth and video bandwidth of test receiver/spectrum analyzer is 9kHz at frequency below 30MHz.

For Radiated emission above 30MHz

- a. The EUT was placed on the top of a rotating table 0.8 meters (for 30MHz ~ 1GHz) / 1.5 meters (for above 1GHz) above the ground at 3 meter chamber room for test. The table was rotated 360 degrees to determine the position of the highest radiation.
- b. The EUT was set 3 meters away from the interference-receiving antenna, which was mounted on the top of a variable-height antenna tower.
- c. The height of antenna is varied from one meter to four meters above the ground to determine the maximum value of the field strength. Both horizontal and vertical polarizations of the antenna are set to make the measurement.
- d. For each suspected emission, the EUT was arranged to its worst case and then the antenna was tuned to heights from 1 meter to 4 meters and the rotatable table was turned from 0 degrees to 360 degrees to find the maximum reading.
- e. The test-receiver system was set to quasi-peak detect function and specified bandwidth with maximum hold mode when the test frequency is below 1 GHz.
- f. The test-receiver system was set to peak and average detect function and specified bandwidth with maximum hold mode when the test frequency is above 1 GHz. If the peak reading value also meets average limit, measurement with the average detector is unnecessary.

Note:

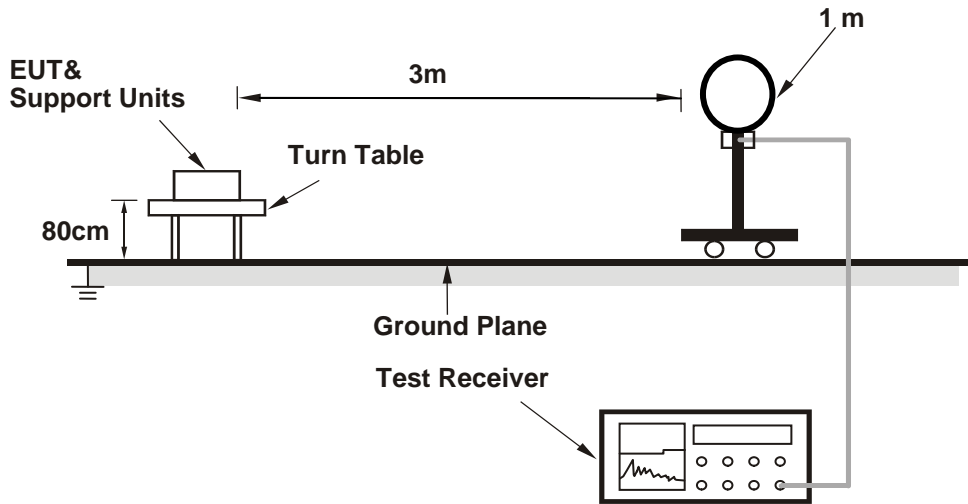
1. The resolution bandwidth and video bandwidth of test receiver/spectrum analyzer is 120kHz for Quasi-peak detection (QP) at frequency below 1GHz.
2. The resolution bandwidth of test receiver/spectrum analyzer is 1 MHz and the video bandwidth is 3 MHz for Peak detection (PK) at frequency above 1GHz.
3. The resolution bandwidth of test receiver/spectrum analyzer is 1 MHz and the video bandwidth is 3 MHz for Average detection (AV) at frequency above 1GHz.
4. All modes of operation were investigated and the worst-case emissions are reported.

4.1.4 Deviation from Test Standard

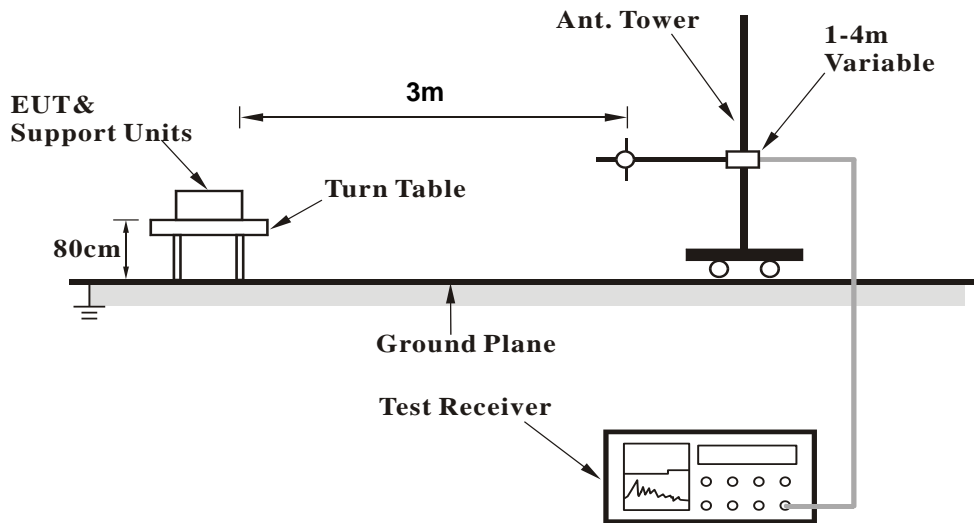
No deviation.

4.1.5 Test Setup

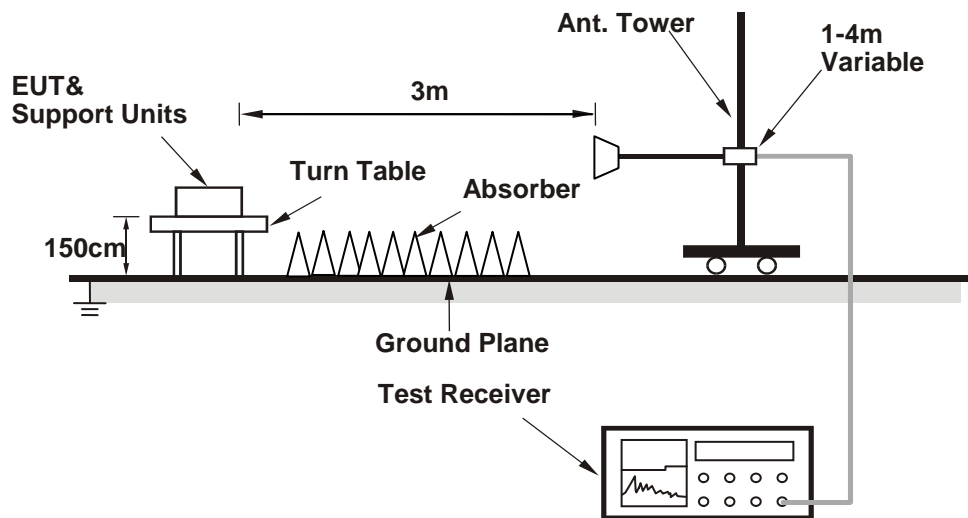
For Radiated emission below 30MHz



For Radiated emission 30MHz to 1GHz



For Radiated emission above 1GHz



For the actual test configuration, please refer to the attached file (Test Setup Photo).

4.1.6 EUT Operating Conditions

- a. Placed the EUT on the testing table.
- b. Controlling software (WLAN: WLAN Test.exe[Ver 1.9.0]; BT: adb.exe paste "LAAT-150_BT SOP_170918.txt"; NFC: button function) has been activated to set the EUT on specific status.

4.1.7 Test Results

802.11g + BT-EDR + NFC

Above 1GHz Data

FREQUENCY RANGE	1GHz ~ 25GHz	DETECTOR FUNCTION	Peak (PK) Average (AV)
------------------------	--------------	--------------------------	---------------------------

ANTENNA POLARITY & TEST DISTANCE: HORIZONTAL AT 3 M

NO.	FREQ. (MHz)	EMISSION LEVEL (dBuV/m)	LIMIT (dBuV/m)	MARGIN (dB)	ANTENNA HEIGHT (m)	TABLE ANGLE (Degree)	RAW VALUE (dBuV)	CORRECTION FACTOR (dB/m)
1	4804.00	38.1 PK	74.0	-35.9	1.00 H	42	34.9	3.2
2	4804.00	28.0 AV	54.0	-26.0	1.00 H	42	24.8	3.2
3	4874.00	37.7 PK	74.0	-36.3	1.16 H	11	34.4	3.3
4	4874.00	25.2 AV	54.0	-28.8	1.16 H	11	21.9	3.3
5	7311.00	48.2 PK	74.0	-25.8	1.20 H	92	38.4	9.8
6	7311.00	35.3 AV	54.0	-18.7	1.20 H	92	25.5	9.8

ANTENNA POLARITY & TEST DISTANCE: VERTICAL AT 3 M

NO.	FREQ. (MHz)	EMISSION LEVEL (dBuV/m)	LIMIT (dBuV/m)	MARGIN (dB)	ANTENNA HEIGHT (m)	TABLE ANGLE (Degree)	RAW VALUE (dBuV)	CORRECTION FACTOR (dB/m)
1	4804.00	38.0 PK	74.0	-36.0	1.54 V	211	34.8	3.2
2	4804.00	27.8 AV	54.0	-26.2	1.54 V	211	24.6	3.2
3	4874.00	37.9 PK	74.0	-36.1	1.04 V	85	34.6	3.3
4	4874.00	25.3 AV	54.0	-28.7	1.04 V	85	22.0	3.3
5	7311.00	51.2 PK	74.0	-22.8	1.00 V	218	41.4	9.8
6	7311.00	38.7 AV	54.0	-15.3	1.00 V	218	28.9	9.8

REMARKS:

1. Emission Level(dBuV/m) = Raw Value(dBuV) + Correction Factor(dB/m)
2. Correction Factor(dB/m) = Antenna Factor(dB/m) + Cable Factor(dB) – Pre-Amplifier Factor(dB)
3. The other emission levels were very low against the limit.
4. Margin value = Emission Level – Limit value
5. " # ": The radiated frequency is out of the restricted band.
6. The limit value is defined as per 15.247.

Below 1GHz Data:

FREQUENCY RANGE	9kHz ~ 1GHz	DETECTOR FUNCTION	Quasi-Peak (QP)
------------------------	-------------	--------------------------	-----------------

ANTENNA POLARITY & TEST DISTANCE: HORIZONTAL AT 3 M

NO.	FREQ. (MHz)	EMISSION LEVEL (dBuV/m)	LIMIT (dBuV/m)	MARGIN (dB)	ANTENNA HEIGHT (m)	TABLE ANGLE (Degree)	RAW VALUE (dBuV)	CORRECTION FACTOR (dB/m)
1	194.08	32.5 QP	43.5	-11.0	1.50 H	265	43.7	-11.2
2	244.01	40.9 QP	46.0	-5.1	1.00 H	215	50.6	-9.7
3	379.71	33.1 QP	46.0	-12.9	1.00 H	53	38.8	-5.7
4	400.03	33.0 QP	46.0	-13.0	1.00 H	53	38.2	-5.2
5	750.03	32.7 QP	46.0	-13.3	2.00 H	121	30.5	2.2
6	960.01	38.9 QP	54.0	-15.1	1.50 H	122	34.2	4.7

ANTENNA POLARITY & TEST DISTANCE: VERTICAL AT 3 M

NO.	FREQ. (MHz)	EMISSION LEVEL (dBuV/m)	LIMIT (dBuV/m)	MARGIN (dB)	ANTENNA HEIGHT (m)	TABLE ANGLE (Degree)	RAW VALUE (dBuV)	CORRECTION FACTOR (dB/m)
1	237.53	28.7 QP	46.0	-17.3	1.00 V	292	38.8	-10.1
2	350.00	35.2 QP	46.0	-10.8	2.50 V	242	41.7	-6.5
3	400.01	27.1 QP	46.0	-18.9	2.50 V	1	32.3	-5.2
4	450.01	27.0 QP	46.0	-19.0	2.50 V	178	30.6	-3.6
5	550.02	27.2 QP	46.0	-18.8	1.00 V	186	29.2	-2.0
6	960.01	36.1 QP	54.0	-17.9	1.50 V	192	31.4	4.7

REMARKS:

1. Emission Level(dBuV/m) = Raw Value(dBuV) + Correction Factor(dB/m)
2. Correction Factor(dB/m) = Antenna Factor(dB/m) + Cable Factor(dB) – Pre-Amplifier Factor(dB)
3. The other emission levels were very low against the limit.
4. Margin value = Emission Level – Limit value

WWAN + NFC

Above 1GHz Data

FREQUENCY RANGE	1GHz ~ 25GHz	DETECTOR FUNCTION	Peak (PK) Average (AV)
------------------------	--------------	--------------------------	---------------------------

ANTENNA POLARITY & TEST DISTANCE: HORIZONTAL AT 3 M

NO.	FREQ. (MHz)	EMISSION LEVEL (dBuV/m)	LIMIT (dBuV/m)	MARGIN (dB)	ANTENNA HEIGHT (m)	TABLE ANGLE (Degree)	RAW VALUE (dBuV)	CORRECTION FACTOR (dB/m)
1	4804.00	38.1 PK	74.0	-35.9	1.00 H	49	34.9	3.2
2	4804.00	28.0 AV	54.0	-26.0	1.00 H	49	24.8	3.2

ANTENNA POLARITY & TEST DISTANCE: VERTICAL AT 3 M

NO.	FREQ. (MHz)	EMISSION LEVEL (dBuV/m)	LIMIT (dBuV/m)	MARGIN (dB)	ANTENNA HEIGHT (m)	TABLE ANGLE (Degree)	RAW VALUE (dBuV)	CORRECTION FACTOR (dB/m)
1	4804.00	38.2 PK	74.0	-35.8	1.59 V	201	35.0	3.2
2	4804.00	27.9 AV	54.0	-26.1	1.59 V	201	24.7	3.2

REMARKS:

1. Emission Level(dBuV/m) = Raw Value(dBuV) + Correction Factor(dB/m)
2. Correction Factor(dB/m) = Antenna Factor(dB/m) + Cable Factor(dB) – Pre-Amplifier Factor(dB)
3. The other emission levels were very low against the limit.
4. Margin value = Emission Level – Limit value

Mode	TX channel 9262	Frequency Range	Above 1GHz
------	-----------------	-----------------	------------

Antenna Polarity & Test Distance: Horizontal at 3 M							
---	--	--	--	--	--	--	--

No.	Freq. (MHz)	Reading (dBm)	S.G Power Value (dBm)	Correction Factor (dB)	Emission Value (dBm)	Limit (dBm)	Margin (dB)
1	3704.8	51.20	-53.59	7.42	-46.17	-13	-33.17
2	5557.2	54.26	-49.88	6.16	-43.72	-13	-30.72
3	7409.6	44.89	-57.73	4.20	-53.53	-13	-40.53
4	9262	46.72	-55.51	3.48	-52.03	-13	-39.03
5	11114.4	48.64	-52.62	4.39	-48.24	-13	-35.24
6	12966.8	47.79	-49.81	3.47	-46.34	-13	-33.34
7	14819.2	50.60	-48.48	2.98	-45.50	-13	-32.50
8	16671.6	50.56	-49.84	3.73	-46.11	-13	-33.11

Antenna Polarity & Test Distance: Vertical at 3 M							
---	--	--	--	--	--	--	--

No.	Freq. (MHz)	Reading (dBm)	S.G Power Value (dBm)	Correction Factor (dB)	Emission Value (dBm)	Limit (dBm)	Margin (dB)
1	3704.8	51.90	-52.89	7.42	-45.47	-13	-32.47
2	5557.2	55.70	-48.44	6.16	-42.28	-13	-29.28
3	7409.6	45.10	-57.52	4.20	-53.32	-13	-40.32
4	9262	46.90	-55.33	3.48	-51.85	-13	-38.85
5	11114.4	48.80	-52.46	4.39	-48.08	-13	-35.08
6	12966.8	49.10	-48.50	3.47	-45.03	-13	-32.03
7	14819.2	50.70	-48.38	2.98	-45.40	-13	-32.40
8	16671.6	51.20	-49.20	3.73	-45.47	-13	-32.47
1	3704.8	51.90	-52.89	7.42	-45.47	-13	-32.47

Remarks:

1. Emission Value (dBm) = S.G Value (dBm) + Correction Factor (dB).
2. Correction Factor (dB) = Substitution Antenna Gain (dB) + Cable Loss (dB).

Below 1GHz Data:

CHANNEL	TX Channel 0	DETECTOR FUNCTION	Quasi-Peak (QP)
FREQUENCY RANGE	9kHz ~ 1GHz		

ANTENNA POLARITY & TEST DISTANCE: HORIZONTAL AT 3 M

NO.	FREQ. (MHz)	EMISSION LEVEL (dBuV/m)	LIMIT (dBuV/m)	MARGIN (dB)	ANTENNA HEIGHT (m)	TABLE ANGLE (Degree)	RAW VALUE (dBuV)	CORRECTION FACTOR (dB/m)
1	170.38	31.0 QP	43.5	-12.5	2.00 H	291	39.4	-8.4
2	197.18	32.2 QP	43.5	-11.3	1.50 H	284	43.6	-11.4
3	240.03	38.7 QP	46.0	-7.3	1.50 H	195	48.7	-10.0
4	400.01	33.3 QP	46.0	-12.7	1.00 H	52	38.5	-5.2
5	750.03	33.3 QP	46.0	-12.7	1.00 H	129	31.1	2.2
6	960.01	38.9 QP	54.0	-15.1	1.50 H	127	34.2	4.7

ANTENNA POLARITY & TEST DISTANCE: VERTICAL AT 3 M

NO.	FREQ. (MHz)	EMISSION LEVEL (dBuV/m)	LIMIT (dBuV/m)	MARGIN (dB)	ANTENNA HEIGHT (m)	TABLE ANGLE (Degree)	RAW VALUE (dBuV)	CORRECTION FACTOR (dB/m)
1	243.91	29.6 QP	46.0	-16.4	1.00 V	289	39.3	-9.7
2	350.03	35.4 QP	46.0	-10.6	2.50 V	255	41.9	-6.5
3	450.01	27.5 QP	46.0	-18.5	2.50 V	160	31.1	-3.6
4	550.04	27.3 QP	46.0	-18.7	1.00 V	219	29.3	-2.0
5	901.79	35.5 QP	46.0	-10.5	1.50 V	192	31.5	4.0
6	960.01	36.2 QP	54.0	-17.8	1.50 V	164	31.5	4.7

REMARKS:

1. Emission Level(dBuV/m) = Raw Value(dBuV) + Correction Factor(dB/m)
2. Correction Factor(dB/m) = Antenna Factor(dB/m) + Cable Factor(dB) – Pre-Amplifier Factor(dB)
3. The other emission levels were very low against the limit.
4. Margin value = Emission Level – Limit value

4.2 Conducted Emission Measurement

4.2.1 Limits of Conducted Emission Measurement

Frequency (MHz)	Conducted Limit (dBuV)	
	Quasi-peak	Average
0.15 - 0.5	66 - 56	56 - 46
0.50 - 5.0	56	46
5.0 - 30.0	60	50

Note: 1. The lower limit shall apply at the transition frequencies.

2. The limit decreases in line with the logarithm of the frequency in the range of 0.15 to 0.50MHz.

4.2.2 Test Instruments

DESCRIPTION & MANUFACTURER	MODEL NO.	SERIAL NO.	CALIBRATED DATE	CALIBRATED UNTIL
Test Receiver R&S	ESCS 30	847124/029	Oct. 24, 2016	Oct. 23, 2017
Line-Impedance Stabilization Network (for EUT) R&S	ESH3-Z5	848773/004	Oct. 26, 2016	Oct. 25, 2017
Line-Impedance Stabilization Network (for Peripheral) R&S	ENV216	100072	June 03, 2017	June 02, 2018
50 ohms Terminator	N/A	EMC-02	Sep. 29, 2016	Sep. 28, 2017
RF Cable	5D-FB	COCCAB-001	Sep. 30, 2016	Sep. 29, 2017
10 dB PAD Mini-Circuits	HAT-10+	CONATT-004	June 18, 2017	June 17, 2018
Software BVADT	BVADT_Cond_ V7.3.7.4	NA	NA	NA

Note:

1. The calibration interval of the above test instruments are 12 months and the calibrations are traceable to NML/ROC and NIST/USA.
2. The test was performed in Shielded Room No. 1.
3. Tested Date: Sep. 27, 2017

4.2.3 Test Procedures

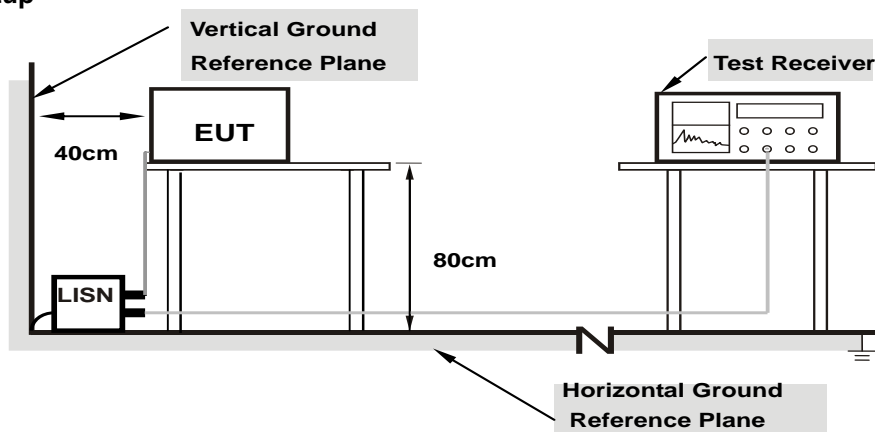
- a. The EUT was placed 0.4 meters from the conducting wall of the shielded room with EUT being connected to the power mains through a line impedance stabilization network (LISN). Other support units were connected to the power mains through another LISN. The two LISNs provide 50 ohm/ 50uH of coupling impedance for the measuring instrument.
- b. Both lines of the power mains connected to the EUT were checked for maximum conducted interference.
- c. The frequency range from 150kHz to 30MHz was searched. Emission levels under (Limit - 20dB) was not recorded.

NOTE: The resolution bandwidth and video bandwidth of test receiver is 9kHz for quasi-peak detection (QP) and average detection (AV) at frequency 0.15MHz-30MHz.

4.2.4 Deviation from Test Standard

No deviation.

4.2.5 Test Setup



Note: 1.Support units were connected to second LISN.

For the actual test configuration, please refer to the attached file (Test Setup Photo).

4.2.6 EUT Operating Conditions

Same as 4.1.6.

4.2.7 Test Results (Mode 1)

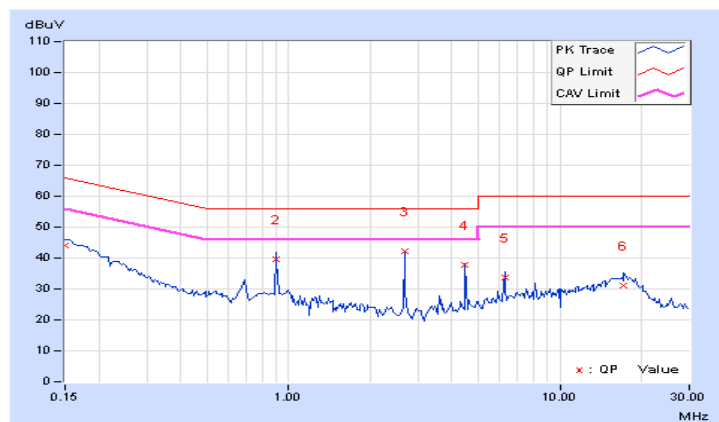
802.11g + BT-EDR + NFC

Phase	Line (L)	Detector Function	Quasi-Peak (QP) / Average (AV)
-------	----------	-------------------	--------------------------------

Phase Of Power : Line (L)										
No	Frequency (MHz)	Correction Factor (dB)	Reading Value (dBuV)		Emission Level (dBuV)		Limit (dBuV)		Margin (dB)	
			Q.P.	AV.	Q.P.	AV.	Q.P.	AV.	Q.P.	AV.
1	0.15000	10.08	33.96	19.64	44.04	29.72	66.00	56.00	-21.96	-26.28
2	0.89609	10.15	29.37	24.75	39.52	34.90	56.00	46.00	-16.48	-11.10
3	2.68750	10.24	31.80	27.98	42.04	38.22	56.00	46.00	-13.96	-7.78
4	4.48047	10.40	27.40	23.64	37.80	34.04	56.00	46.00	-18.20	-11.96
5	6.27344	10.53	23.22	18.10	33.75	28.63	60.00	50.00	-26.25	-21.37
6	17.21484	11.36	19.92	11.56	31.28	22.92	60.00	50.00	-28.72	-27.08

Remarks:

1. Q.P. and AV. are abbreviations of quasi-peak and average individually.
2. The emission levels of other frequencies were very low against the limit.
3. Margin value = Emission level – Limit value
4. Correction factor = Insertion loss + Cable loss
5. Emission Level = Correction Factor + Reading Value

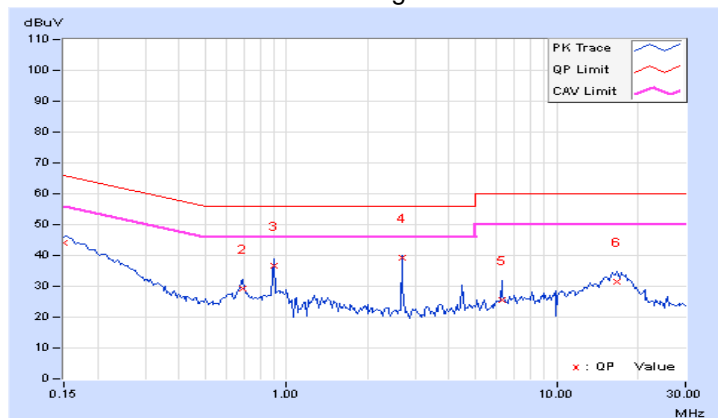


Phase	Neutral (N)	Detector Function	Quasi-Peak (QP) / Average (AV)
-------	-------------	-------------------	--------------------------------

Phase Of Power : Neutral (N)										
No	Frequency (MHz)	Correction Factor (dB)	Reading Value (dBUV)		Emission Level (dBUV)		Limit (dBUV)		Margin (dB)	
			Q.P.	AV.	Q.P.	AV.	Q.P.	AV.	Q.P.	AV.
1	0.15000	10.07	33.92	19.76	43.99	29.83	66.00	56.00	-22.01	-26.17
2	0.68516	10.12	19.00	13.87	29.12	23.99	56.00	46.00	-26.88	-22.01
3	0.89609	10.12	26.59	20.54	36.71	30.66	56.00	46.00	-19.29	-15.34
4	2.68750	10.23	29.06	23.79	39.29	34.02	56.00	46.00	-16.71	-11.98
5	6.27734	10.43	15.04	9.01	25.47	19.44	60.00	50.00	-34.53	-30.56
6	16.66797	11.09	20.55	10.15	31.64	21.24	60.00	50.00	-28.36	-28.76

Remarks:

1. Q.P. and AV. are abbreviations of quasi-peak and average individually.
2. The emission levels of other frequencies were very low against the limit.
3. Margin value = Emission level – Limit value
4. Correction factor = Insertion loss + Cable loss
5. Emission Level = Correction Factor + Reading Value



4.2.8 Test Results (Mode 2)

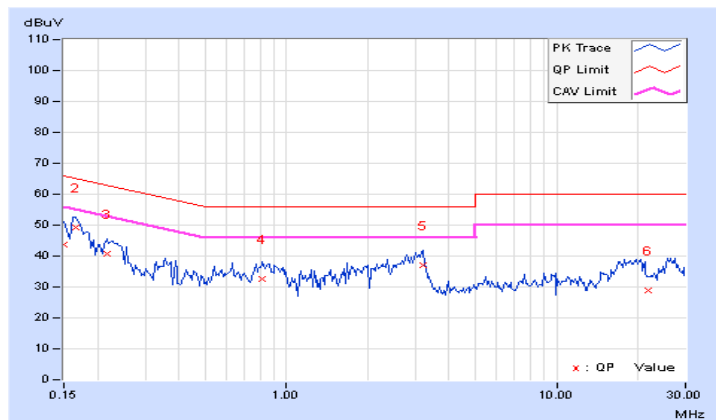
802.11g + BT-EDR + NFC

Phase	Line (L)	Detector Function	Quasi-Peak (QP) / Average (AV)
-------	----------	-------------------	--------------------------------

Phase Of Power : Line (L)										
No	Frequency (MHz)	Correction Factor (dB)	Reading Value (dBuV)		Emission Level (dBuV)		Limit (dBuV)		Margin (dB)	
			Q.P.	AV.	Q.P.	AV.	Q.P.	AV.	Q.P.	AV.
1	0.15000	10.07	33.65	21.90	43.72	31.97	66.00	56.00	-22.28	-24.03
2	0.16562	10.07	39.28	22.00	49.35	32.07	65.18	55.18	-15.83	-23.11
3	0.21641	10.06	30.52	12.38	40.58	22.44	62.96	52.96	-22.38	-30.52
4	0.81797	10.13	22.34	14.55	32.47	24.68	56.00	46.00	-23.53	-21.32
5	3.22266	10.24	26.65	20.72	36.89	30.96	56.00	46.00	-19.11	-15.04
6	21.84766	11.30	17.59	11.67	28.89	22.97	60.00	50.00	-31.11	-27.03

Remarks:

1. Q.P. and AV. are abbreviations of quasi-peak and average individually.
2. The emission levels of other frequencies were very low against the limit.
3. Margin value = Emission level – Limit value
4. Correction factor = Insertion loss + Cable loss
5. Emission Level = Correction Factor + Reading Value

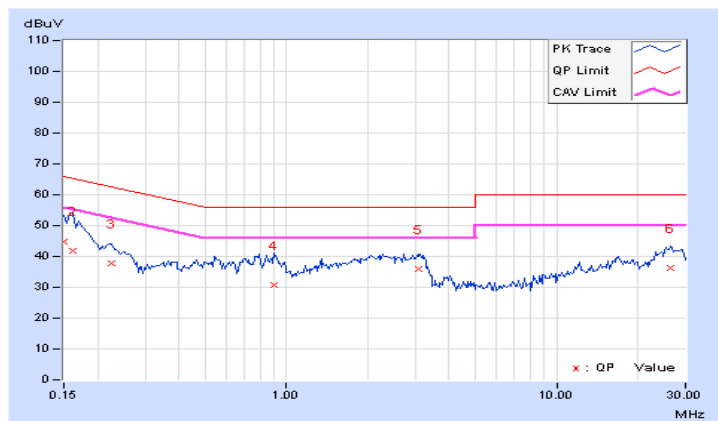


Phase	Neutral (N)	Detector Function	Quasi-Peak (QP) / Average (AV)
-------	-------------	-------------------	--------------------------------

Phase Of Power : Neutral (N)										
No	Frequency (MHz)	Correction Factor (dB)	Reading Value (dBuV)		Emission Level (dBuV)		Limit (dBuV)		Margin (dB)	
			Q.P.	AV.	Q.P.	AV.	Q.P.	AV.	Q.P.	AV.
1	0.15000	10.06	34.57	23.72	44.63	33.78	66.00	56.00	-21.37	-22.22
2	0.16172	10.05	31.64	23.47	41.69	33.52	65.38	55.38	-23.69	-21.86
3	0.22422	10.04	27.87	12.99	37.91	23.03	62.66	52.66	-24.75	-29.63
4	0.90000	10.11	20.71	13.52	30.82	23.63	56.00	46.00	-25.18	-22.37
5	3.07031	10.20	25.89	19.33	36.09	29.53	56.00	46.00	-19.91	-16.47
6	26.58594	10.97	25.16	16.88	36.13	27.85	60.00	50.00	-23.87	-22.15

Remarks:

1. Q.P. and AV. are abbreviations of quasi-peak and average individually.
2. The emission levels of other frequencies were very low against the limit.
3. Margin value = Emission level – Limit value
4. Correction factor = Insertion loss + Cable loss
5. Emission Level = Correction Factor + Reading Value

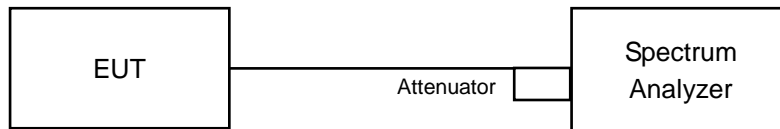


4.3 Conducted Out of Band Emission Measurement

4.3.1 Limits of Conducted Out of Band Emission Measurement

Below 20dB of the highest emission level of operating band (in 100kHz Resolution Bandwidth).

4.3.2 Test Setup



4.3.3 Test Instruments

Refer to section 4.1.2 to get information of above instrument.

4.3.4 Test Procedures

MEASUREMENT PROCEDURE REF

1. Set the RBW = 100 kHz.
2. Set the VBW \geq 300 kHz.
3. Detector = peak.
4. Sweep time = auto couple.
5. Trace mode = max hold.
6. Allow trace to fully stabilize.
7. Use the peak marker function to determine the maximum power level in any 100 kHz band segment within the fundamental EBW.

MEASUREMENT PROCEDURE OOB

1. Set RBW = 100 kHz.
2. Set VBW \geq 300 kHz.
3. Detector = peak.
4. Sweep = auto couple.
5. Trace Mode = max hold.
6. Allow trace to fully stabilize.
7. Use the peak marker function to determine the maximum amplitude level.

4.3.5 Deviation from Test Standard

No deviation.

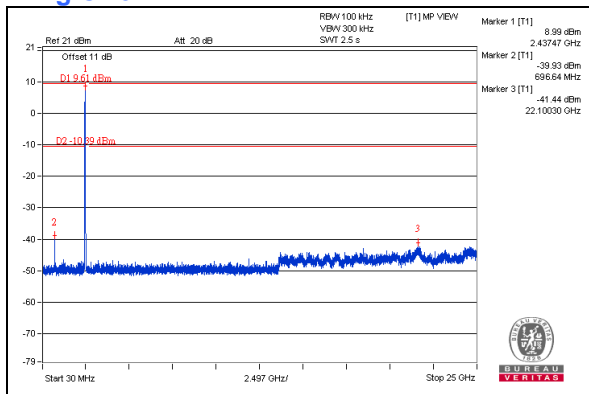
4.3.6 EUT Operating Conditions

The software provided by client to enable the EUT under transmission condition continuously at specific frequencies.

4.3.7 Test Results

The spectrum plots are attached on the following pages. D1 line indicates the highest level, and D2 line indicates the 20dB offset below D1. It shows compliance with the requirement.

11g CH6 + BT-EDR



5 Pictures of Test Arrangements

Please refer to the attached file (Test Setup Photo).

Appendix – Information on the Testing Laboratories

We, Bureau Veritas Consumer Products Services (H.K.) Ltd., Taoyuan Branch, were founded in 1988 to provide our best service in EMC, Radio, Telecom and Safety consultation. Our laboratories are accredited and approved according to ISO/IEC 17025.

If you have any comments, please feel free to contact us at the following:

Linko EMC/RF Lab

Tel: 886-2-26052180

Fax: 886-2-26051924

Hsin Chu EMC/RF/Telecom Lab

Tel: 886-3-6668565

Fax: 886-3-6668323

Hwa Ya EMC/RF/Safety Lab

Tel: 886-3-3183232

Fax: 886-3-3270892

Email: service.adt@tw.bureauveritas.com

Web Site: www.bureauveritas-adt.com

The address and road map of all our labs can be found in our web site also.

--- END ---