

Fcc ID: MQ44HL2866A1

**REGULATORY STATEMENTS**

**Part 15, Class B**

This device complies with Part 15 of FCC rules. Operation is subject to the following two conditions:

1. This device may not cause harmful interference, and
2. This device must accept any interference received, including interface that may cause undesired operation. This equipment has been tested and found to comply with the limits for a Class B digital device, pursuant to Part 15 of the FCC Rules. These limits are designed to provide reasonable protection against harmful interference in a residential installation. This equipment generates, uses and can radiate radio frequency energy, and if not installed and used in accordance with the instructions, may cause harmful interference to radio communications. However, there is no guarantee that interference will not occur in a particular installation. If this equipment does cause harmful interference to radio or television reception, which can be determined by turning off and on, the user is encouraged to try to correct the interference by one or more of the following measures:
  - Reorient or relocate the receiving antenna.
  - Increase the distance between the equipment and receiver.
  - Connect the equipment into an outlet on a circuit different from that to which the receiver is connected.

Changes or modifications not expressly approved by party responsible for compliance could void the user authority to operate the equipment.

**USB 10M HomePNA Adapter**

**User Guide**

## INTRODUCTIONS

The **USB Home PhoneLine 10Mbps Network Adapter** is fully compatible with the Universal Serial Bus (USB) functionality built in Windows 98. It enables the instant connectivity to multiple PCs over a home's existing telephone lines.

You can share network-enabled printers, transfer files between computers, play network games, and moreover - no switches, hubs, or even any additional cables is needed. The network runs on standard home-grade-telephone wires just like the ones you use everyday. Plus, it doesn't interfere with your normal phone use.

## Features

- Build a network using your existing telephone line
- 10Mbps or 1Mbps transfer rate over telephone lines
- Share Internet access between your PCs
- Enable file, data and printer sharing between your PCs
- Microsoft Windows 98, 2000 supported
- External USB network adapter with 1 RJ-11 modular telephone port
- USB cable included – true plug & play
- HomePNA specification 2.0 compliant
- Connect up to 25 devices together on your home phone network

## System Requirements

- A Pentium® processor-based personal computer 166MMX or above.
- At least 16 MB of RAM.
- One USB port well installed and enabled.
- Microsoft Windows 98 or Windows 2000.

## Specifications

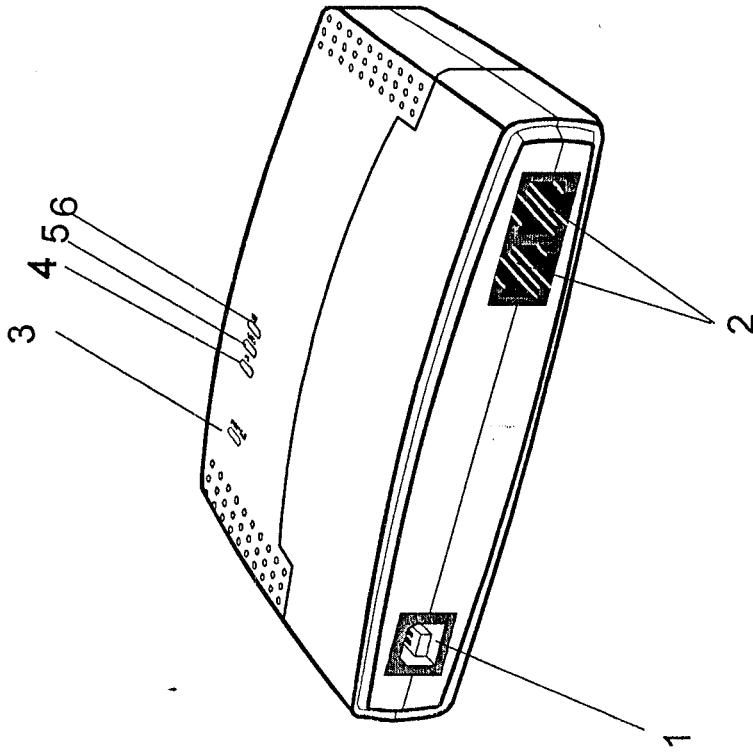
### Network Standard

- HomePNA specification 2.0
- Standard phone wiring

### Supported Operating Systems

- Windows 98
- Windows 2000

## Parts Names and Functions



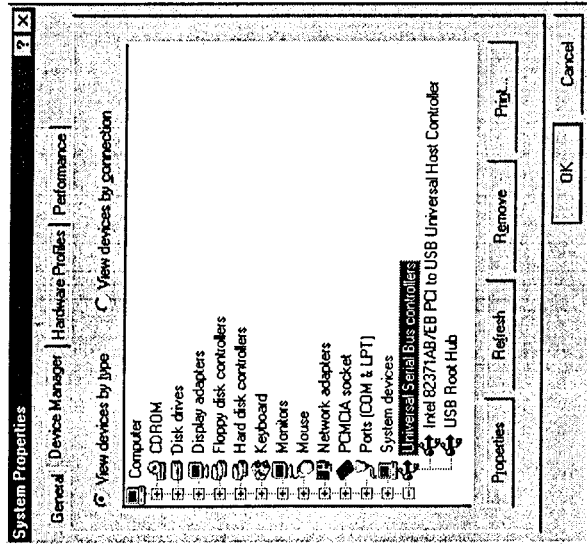
1. **USB-B Port:** USB device port.
2. **RJ-11 port:** connects the USB Home PhoneLine Network Adapter to a telephone wire and a telephone set.
3. **POWER LED indicator:** glows green when your PC power is on and the USB Home PhoneLine 10Mbps Network Adapter is well connected to USB host port of your system.
4. **TX LED indicator:** blinks amber when the USB Home PhoneLine 10Mbps Network Adapter is transmitting data.

5. **Link LED indicator:** glows green when the USB Home PhoneLine 10Mbps Network Adapter is linked with other HomePNA compliant devices.
6. **RX LED indicator:** blinks amber when the USB Home PhoneLine 10Mbps Network Adapter is receiving data.

## INSTALLATION

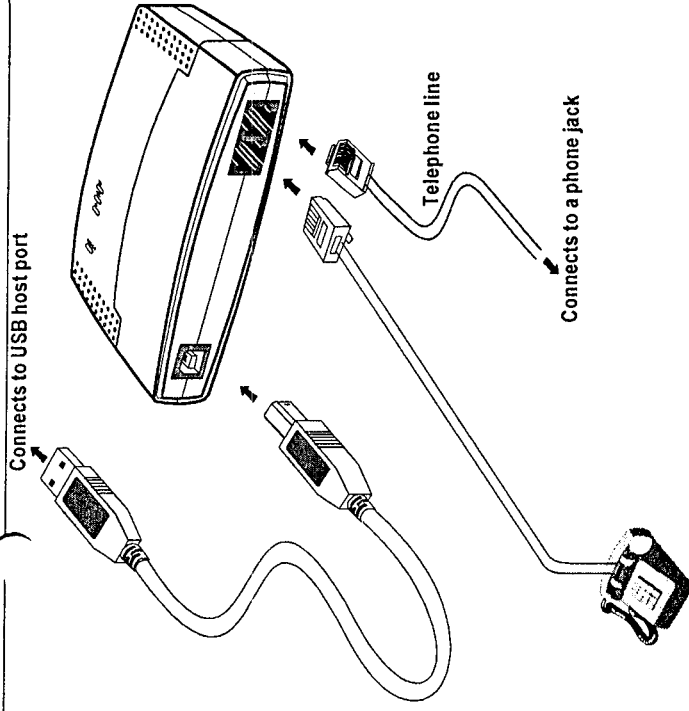
### Precaution

Before installation, make sure the USB port exists in your computer and is enabled. To check this, go to **My Computer** → **Control Panel** → **System**. Click the **Device Manager** tab. If the **Universal Serial Bus controller** device is found, it means that your USB port is well installed and enabled. If not, either no USB port is installed or the USB bios is not properly enabled. In this case, consult your computer dealer for USB support.



### Getting Hooked Up

1. Locate the USB host port of your system. Align the USB connector toward the USB host port, push evenly and steadily until it is seated.



2. Connect the other end of the USB connection cable to the device port of your USB Home PhoneLine 10Mbps Network Adapter (i.e. USB B Port, refer to the section titled "Parts Names and Functions" for details).
3. Windows 98 will automatically detect the new hardware device. Perform the following procedures to install the device driver.

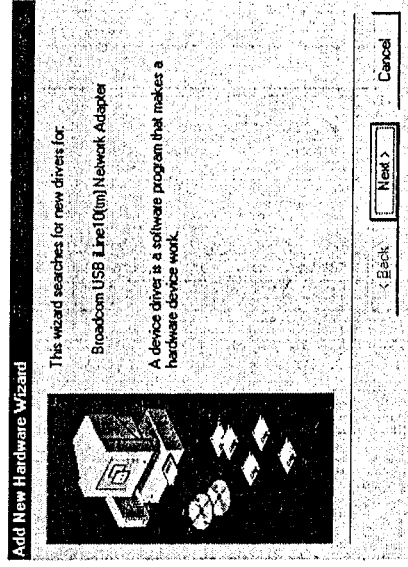
### Connecting Telephone Cabling

1. Attach one end of the telephone line to the USB Home PhoneLine 10Mbps Network Adapter's RJ-11 telephone port.
2. Connect the other end of the line into a telephone jack in the wall.

3. Connect the other one of the **USB Home PhoneLine 10Mbps Network Adapter's RJ-11** telephone ports to a telephone set.

## SOFTWARE INSTALLATION FOR WINDOWS 98

1. Connect one end of the **USB Home PhoneLine 10Mbps Network Adapter** cable to the **USB** host port of your system and the other end to the network device port. Once the **USB Home PhoneLine 10Mbps Network Adapter** is well connected, Windows will detect the new device and prompt you to insert the network device driver. Click **Next**.



2. Insert the network device driver to the floppy disk drive of your system. Select **Search for the best driver for your device (Recommended)** and click **Next**.