

**10M Ethernet Attached port
PC Card Adapter**

User's Guide

FCC REGULATORY STATEMENTS

Part 15, Class B

This device complies with Part 15 of FCC rules. Operation is subject to the following two conditions:

1. This device may not cause harmful interface, and
2. This device must accept any interface received, including interface that may cause undesired operation. This equipment has been tested and found to comply with the limits for a Class B digital device, pursuant to Part 15 of the FCC Rules. These limits are designed to provide reasonable protection against harmful interference in a residential installation. This equipment generates, uses and can radiate radio frequency energy, and if not installed and used in accordance with the instructions, may cause harmful interference to radio communications. However, there is no guarantee that interference will not occur in a particular installation. If this equipment does cause harmful interference to radio or television reception, which can be determined by turning off and on, the user is encouraged to try to correct the interference by one or more of the following measures:
 - Reorient or relocate the receiving antenna.
 - Increase the distance between the equipment and receiver.
 - Connect the equipment into an outlet on a circuit different from that to which the receiver is connected.

⚠ Changes or modifications not expressly approved by party responsible for compliance could void the user the user authority to operate the equipment.

INTRODUCTION

The PCMCIA Ethernet card is a credit-card-size Type II PCMCIA Ethernet adapter that complies with the PCMCIA 2.1 and IEEE 802.3 standards.

It works with computers that incorporate a compatible interface. The drivers associated with this card allow you to use the most popular Network Operating System(NOS) in the PC environment very easily.

The attached port integrating the connector in the card,eliminates the need for dongles or external connectors. You can then plug standard network cables directly into this card.

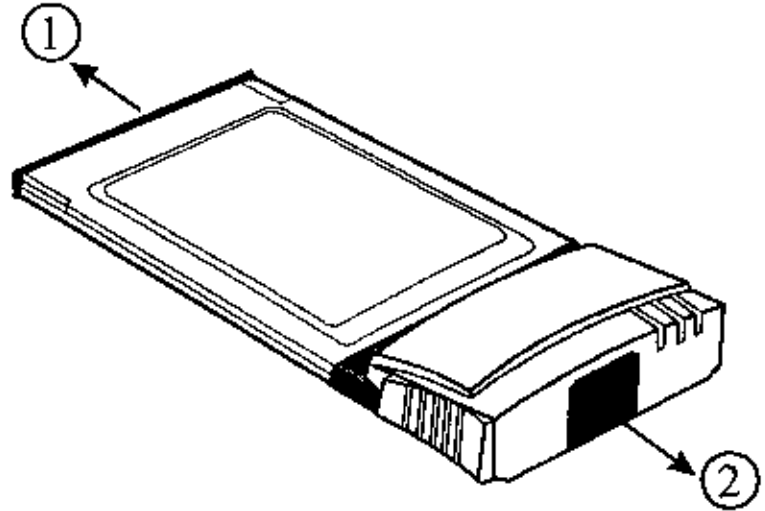
System Requirement

- An IBM compatible PC with 386SX or higher
- At least one type II PCMCIA socket
- Drivers and utilities provided with this product
- PCMCIA release 2.1 compliant Card Services and Socket Services
- 10BaseT Ethernet connectivity to your LAN.

INSTALLATION

Hardware Connections

1. Insert the PCMCIA Ethernet card into the PCMCIA slot with the 68 pin connector towards your notebook's PCMCIA slot and the label facing up.
2. Connect one end of a Ethernet cable into the card's RJ-45 port. Plug the other end of the cable into a switch hub.



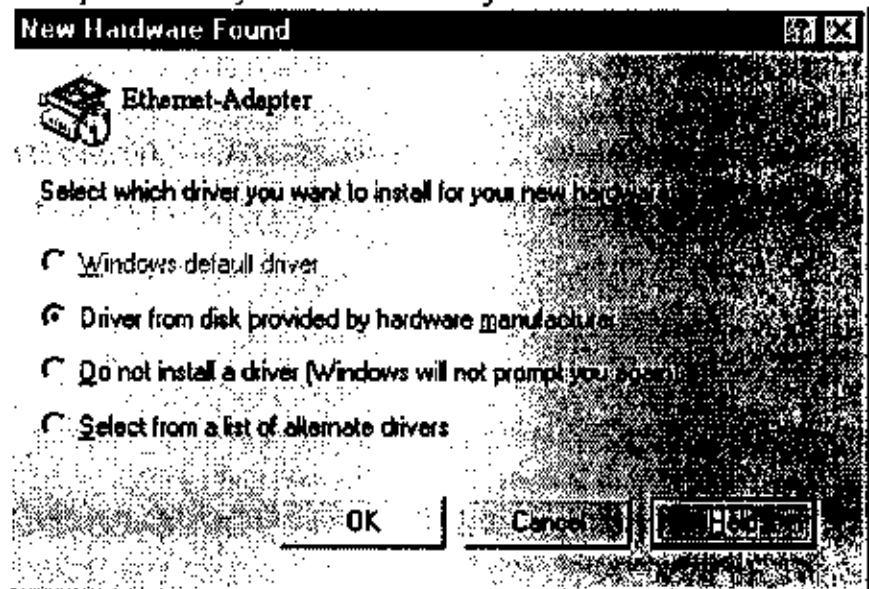
Software Installation

Insert the driver diskette into the floppy drive and set the current drive to the floppy drive. Then run *INSTALL* to install the real mode drivers such as ODI or NDIS 2.x or Packet Drivers into the target disk.

Windows 95 Installation

Make sure that the drivers of PCMCIA slot are well installed. The *System Icon* in the *Control Panel* can report on its functionality. Apart from above mentioned, any questions on this layer need to be taken up with the computer's manufacturer.

1. Insert PCMCIA Ethernet Card into PCMCIA slot. In *New Hardware Found* dialog box, select *Driver from disk provided by hardware manufacturer*.

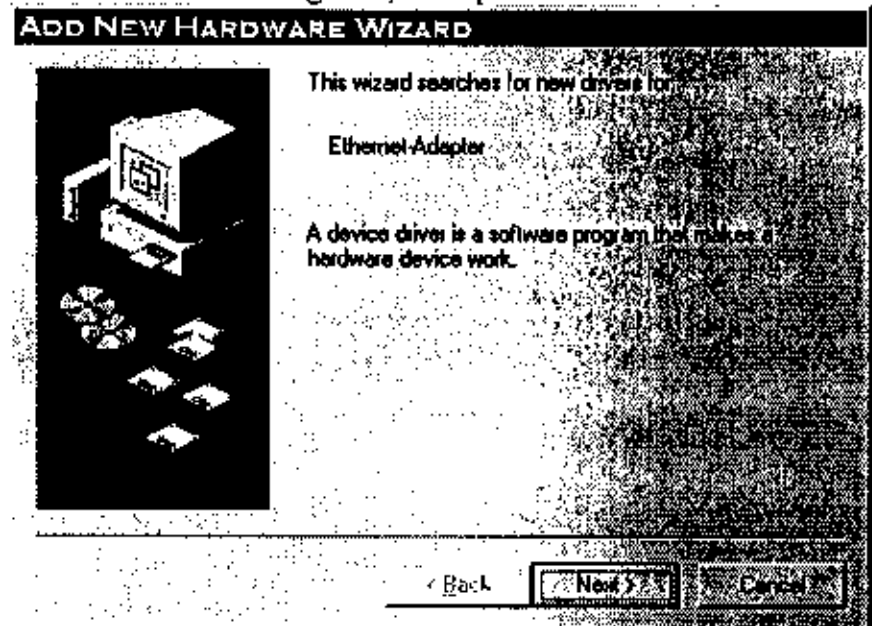


2. Please input the path, *A:* and insert driver diskette. The driver will be installed and you may be asked for the original Windows 95 CD/disks.
3. For the first time installation, please click *Network icon* in *Control Panel* to add Protocols, Client and Service if you needed
4. Reboot the machine and the card will be fully functional.

Windows 98 Installation

Make sure that the drivers of PC Card slot are well installed. The *System Icon* in the *Control Panel* can report on its functionality. Apart from above mentioned, any questions on this layer need to be taken up with the computer's manufacturer.

1. Insert the PC Card into the slot. In New Hardware Found dialog box, select Driver from disk provided by hardware manufacturer.
2. Windows will prompt a ADD NEW HARDWARE WIZARD dialog box, then press Next.



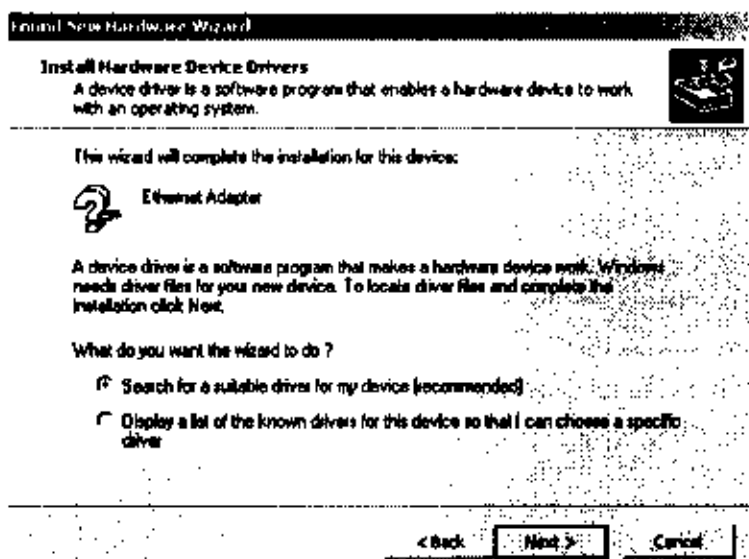
3. When Windows prompt you a **ADD NEW HARDWARE WIZARD** dialog box, select **Search for the best...** and press **Next**.
4. When the **ADD NEW HARDWARE WIZARD** dialog box appears, select **Floppy disk drives** and insert driver diskette. Then press **Next**, the driver will be installed.
5. For the first time installation, please click **Network** icon in **Control Panel** to add Protocols, Client and Service if you needed.
6. Reboot the machine and the card will take effect.

Windows 2000 Installation

1. Connect one end of the cable for the **PCMCIA Ethernet card** to your computer and the other end to the port of the new hardware device. Windows will appear the following picture. Click **Next**.



2. Select Search for a suitable driver for my device (recommended). Click Next.



3. Select Floppy disk drives and insert the disk associated with the PCMCIA Ethernet card in the disk drive. Click Next.

Locate Driver Files

Where do you want Windows to search for driver files?



Search for driver files for the following hardware device:

Ethernet Adapter

The wizard searches for available drivers in its driver database on your computer and in any of the following optional search locations that you specify.

To start the search, click Next. If you are searching on a floppy disk or CD-ROM drive, insert the floppy disk or CD before clicking Next.

Optional search locations:

- Floppy disk drives
- CD-ROM drives
- Specify a location
- Microsoft Windows Update

< Back Next > Cancel

4. Click Next to make Windows install the appropriate driver for the new device.

Driver Files Search Results

The wizard has located driver files for your hardware device.



The wizard found a driver for the device at the following location:

Ethernet Adapter

Windows found a driver for this device. To install the driver Windows found, click Next.

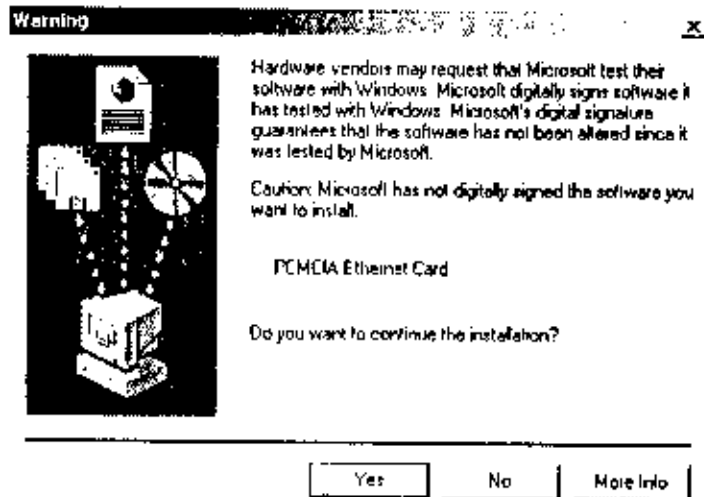
a:\net10.inf

The wizard also found other drivers that are suitable for this device. To view a list of these drivers or install one of these drivers, select the following check box, and then click Next.

- Install one of the other drivers

< Back Next > Cancel

5. Click Yes to continue.



Windows NT 4.0

1. Make sure that the Network Services already installed in the NT 4.0 system.
2. Insert the Ethernet Adapter into one of the system's PCMCIA Slots
3. Power up Windows NT 4.0
4. Open *My Computer*
5. Open *Control Panel*
6. Run the *Network*
7. Select *Adapters* page
8. Press *Add* to add network adapter
9. Press *Have Disk* button
10. Insert the driver disk into drive A:
11. Specify the path to "A:\ and press OK
12. A dialog box will appear to adjust the driver's settings. The resources assignment to the adapter must be unique in the system.
13. Press OK when all setting are completed. Press *Close* to complete network setting.

SPECIFICATIONS

- IEEE 802.3 10BaseT
- 10Mbps speed
- Internal buffer memory, No system memory used
- NE2000 compatible ODI client, Packet driver and NDIS version 2.x, 3.x driver supported

Operating Environment

- Novell Netware 3.x, 4.x
- Microsoft LAN Manager
- Packet Driver Applications
- Microsoft Windows for Workgroups 3.11, Windows 3.1
- Microsoft Windows NT 3.51, NT 4.0
- Windows 95
- Windows 98
- Windows 2000
- Lantastic 6.0
- IBM OS/2 Warp Version 3