

**Dual-Port IEEE 1394
CardBus PC Card**

Installation Guide

FCC REGULATORY STATEMENTS

Part 15, Class B


This device complies with Part 15 of FCC rules.

Operation is subject to the following two conditions:

1. This device may not cause harmful interference, and
2. This device must accept any interference received, including interference that may cause undesired operation.

This equipment has been tested and found to comply with the limits for a Class B digital device, pursuant to Part 15 of the FCC Rules. These limits are designed to provide reasonable protection against harmful interference in a residential installation. This equipment generates, uses and can radiate radio frequency energy, and if not installed and used in accordance with the instructions, may cause harmful interference to radio communications. However, there is no guarantee that interference will not occur in a particular installation. If this equipment does cause harmful interference to radio or television reception, which can be determined by turning off and on, the user is encouraged to try to correct the interference by one or more of the following measures:

- Reorient or relocate the receiving antenna.
- Increase the distance between the equipment and receiver.
- Connect the equipment into an outlet on a circuit different from that to which the receiver is connected.

 ***Changes or modifications not expressly approved by party responsible for compliance could void the user the user authority to operate the equipment.***

INTRODUCITON

About IEEE 1394 and This Product

The IEEE 1394 High Performance Serial Bus, also called FireWire, provides an affordable, versatile, high-speed, non-proprietary interconnect for all digital devices

Providing bus master function data transfer between CardBus and IEEE1394 buses, this Dual-Port IEEE 1394 CardBus PC Card is especially designed for notebook worriers who can then connect to FireWire peripherals. You can connects up to 63 nodes, including printers, digital videos camcorders, hard disks, scanners, etc. Plus, there's no dongle needed! The IEEE CardBus PC Card makes a true universal connection available.

Features

- Complies with IEEE 1394a
- Dual-port supported: one 4-pin and one 6-pin 1394 unpower ports for versatile connections
- Connects up to 63 devices
- Up to 16 consecutive cable hops of 4.5 meters
- FireWire speed up to 400Mbps
- Compatible with most DV/mimDV Camcorders & other powered 1394 peripherals.
- Type II CardBus PC Card
- Supports "Hot-Swapping" ;

- Supports Plug and play
- Synchronous and asynchronous data transfer
- Attached ports, no dongle is required

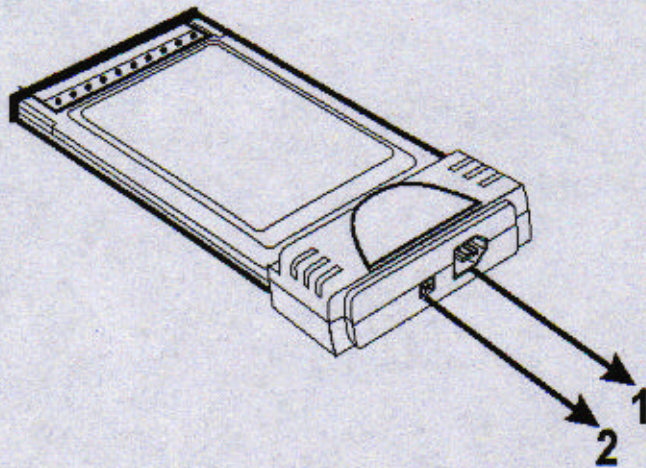
System Requirements:

- Notebook with CardBus™ interface
- Processor: Pentium 166 MHz or higher
- Memory 16 MB or higher
- Windows 98 or 2000 Operating System™

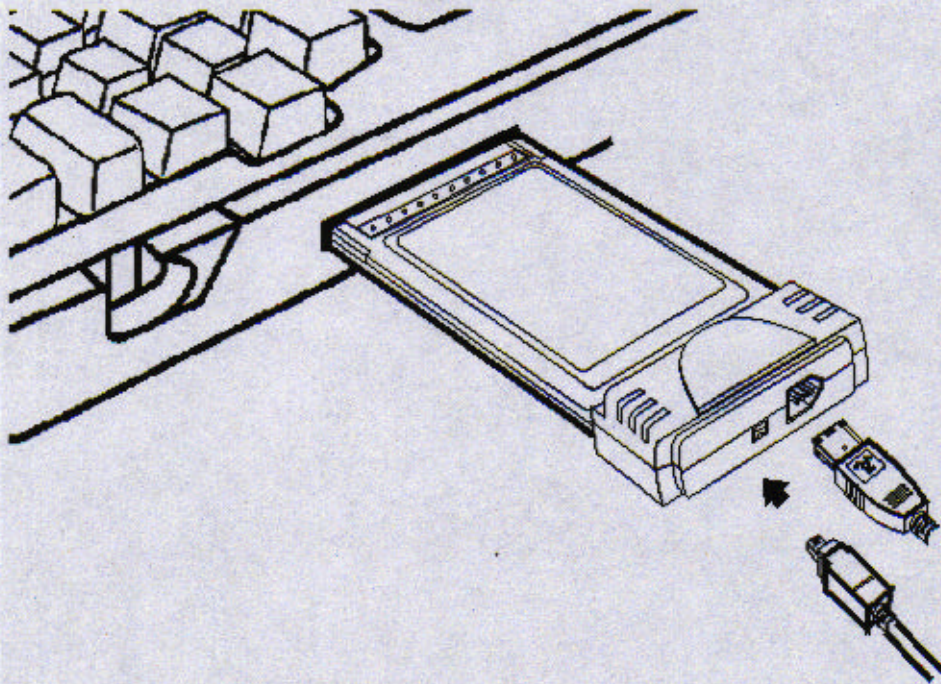
HARDWARE INSTALLATION

Parts names:

1. 6-pin connector.
2. 4-pin connector



Connection

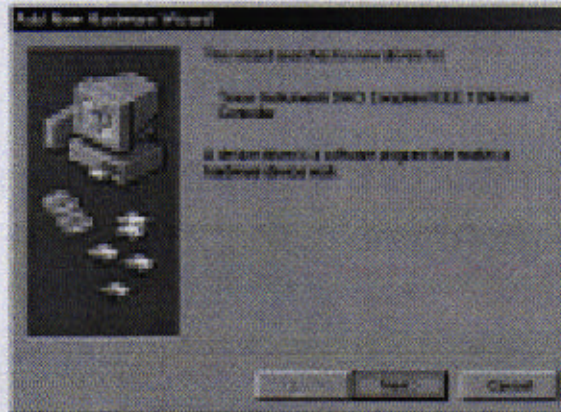


SOFTWARE INSTALLATION

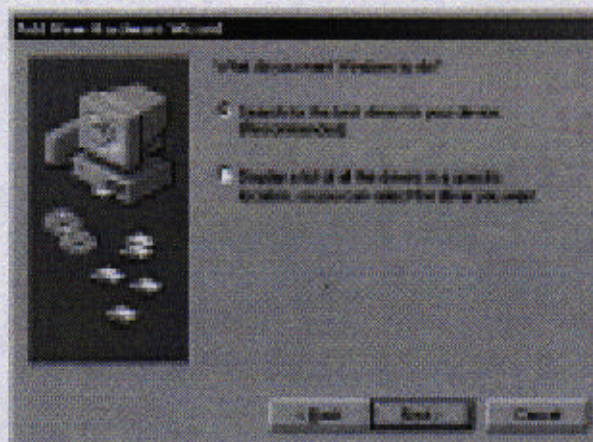
Before you start, make sure the drivers of CardBus slot are well installed.¹

Windows 98 Installation

1. Insert this PC card into the CardBus slot. Windows 98 will automatically detect the new device. Click **Next** to proceed.

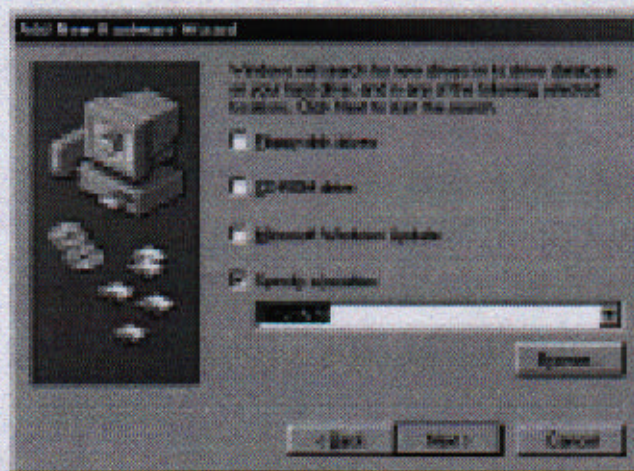


2. Then Windows will prompt a **ADD NEW HARDWARE WIZARD** dialog box. In this time, select **Search for the ...** and press **Next**.

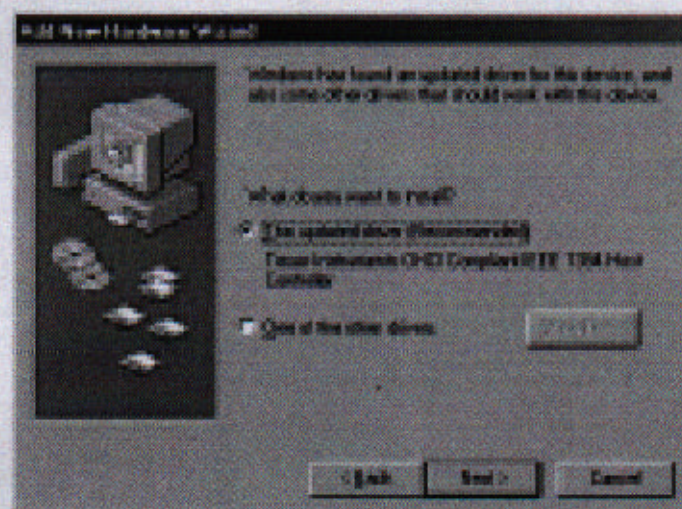


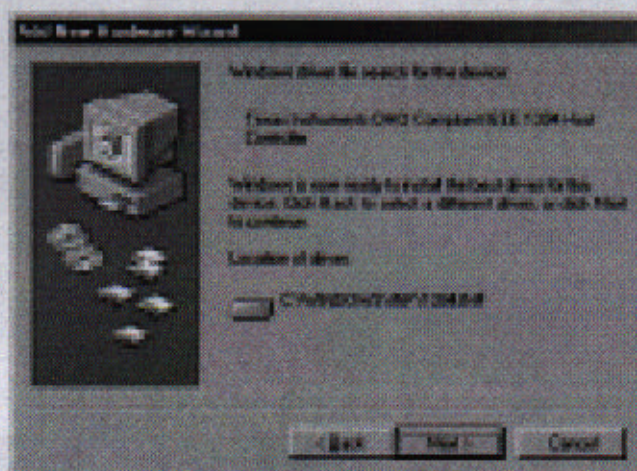
¹ The *System Icon* in the *Control Panel* can report on its functionality.

3. Windows will prompt a *Add New Hardware Wizard* dialog box, in this time, select **Specify a location** and enter the drive and directory where your original Windows 98 installation or setup files reside. Windows will begin copying the needed files. You may need to load the original Windows 98 CD/disks if those files were not copied onto your computer previously.

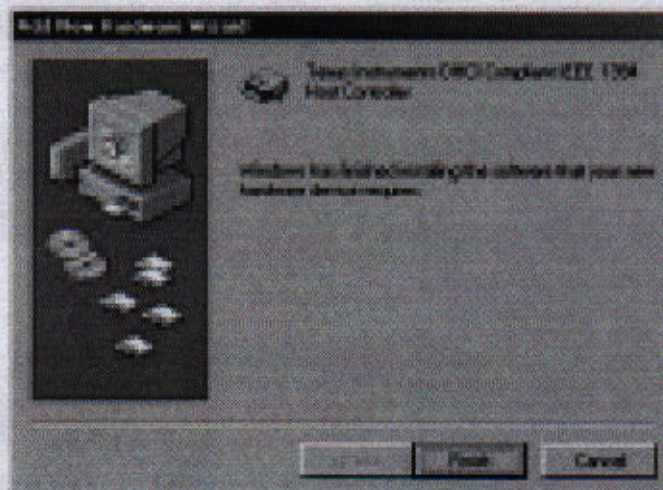


4. Follow the on-screen instruction to proceed.





5. When finished, click **Finish** to activate the new device.

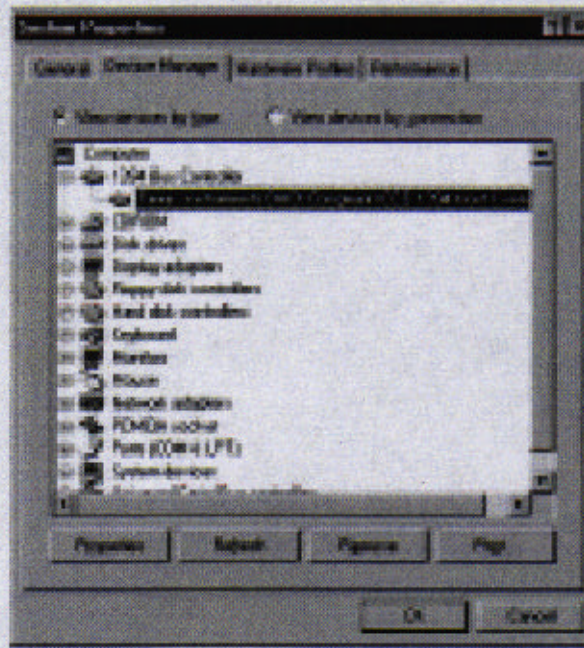


Windows 2000/ME Installation

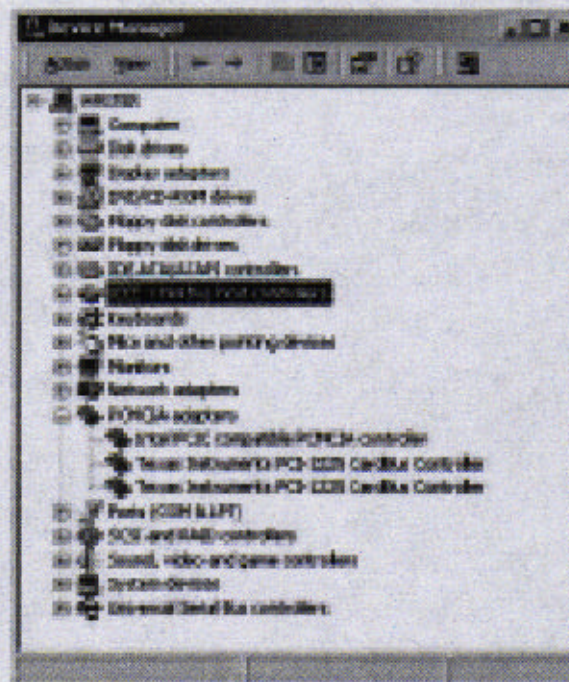
For both Windows 2000 and Windows Millennium Edition, Windows system will automatically install the driver for this Dual-Port IEEE 1394 CardBus PC Card as long as the CardBus slot driver was well installed onto your computer.

Be sure to direct the appropriate location for system to copy the necessary files from the Windows source files, or you may need to load the original Windows 2000/ME CD.

When the installation is finished, you may go to **Start→Setting→Control Panel→System→Device Manager** to check if 1394 Bus Controller has been successfully installed.



Windows ME



Windows 2000

APPENDIX A SPECIFICATIONS

- IEEE 1394A and IEEE 1394-1995 Compliant
- OHCI 1.0 Compliant
- Type II CardBus PC Card
- 1394 Ports: One 4-pin, one 6-pin
- 32 bit Bus Mastering data transfer
- Windows 98 & 2000 "Plug and Play"™
- 400 Mbps max transfer rate
- Support for 100, 200, 400 Mbps
- FCC, CE, and VCCI Certified