

QTK2000-F023

FCCID: MQ4FE1KMX

**10/100 Fast Ethernet PC Card
Network Adapter**

Users Guide

FCC REGULATORY STATEMENTS

QTK2000-F023

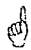
FCC ID: M074FE1K4X

Part 15, Class B

This device complies with Part 15 of FCC rules.

Operation is subject to the following two conditions:

1. This device may not cause harmful interference, and
2. This device must accept any interference received, including interference that may cause undesired operation. This equipment has been tested and found to comply with the limits for a Class B digital device, pursuant to Part 15 of the FCC Rules. These limits are designed to provide reasonable protection against harmful interference in a residential installation. This equipment generates, uses and can radiate radio frequency energy, and if not installed and used in accordance with the instructions, may cause harmful interference to radio communications. However, there is no guarantee that interference will not occur in a particular installation. If this equipment does cause harmful interference to radio or television reception, which can be determined by turning off and on, the user is encouraged to try to correct the interference by one or more of the following measures:
 - Reorient or relocate the receiving antenna.
 - Increase the distance between the equipment and receiver.
 - Connect the equipment into an outlet on a circuit different from that to which the receiver is connected.

 ***Changes or modifications not expressly approved by party responsible for compliance could void the user's authority to operate the equipment.***

INTRODUCTION

This 10/100 Fast Ethernet PC Card Network Adapter is designed for any Notebook PC with a PCMCIA or CardBus PC Card slot.

With this PC Card, users can hook up to their Ethernet LANs at the speed of 100Mbps which is 10 times faster than traditional LAN environment. Moreover, the support of full duplex mode makes the data rate double possible. The fantastic feature of 10/100M auto-negotiation cleans away the backwards compatible troubles.

The 10/100 Fast Ethernet PC Card Network Adapter is Microsoft Plug and Play compatible. The installation under Windows 95/98/2000/NT can be easily done in minutes. The included NOS drivers ensure the compatibility to the widely used networking environments, such as Novell Netware, Microsoft LAN Manager, TCP/IP and more. The wide range Card and Socket Services (CSS) compatibility also makes the users trouble-free for their Intranet connection.

The 10/100 Fast Ethernet PC Card Network Adapter is simple to use, providing automatic installation, and no external power is required.

SYSTEM REQUIREMENTS

- An IBM compatible notebook computer with 386SX or higher processor
- At least one Type II PC Card socket
- Drivers and utilities provided with this product
 - PCMCIA release 2.1 compliant Card Services and Socket Services.

OPERATING ENVIRONMENT

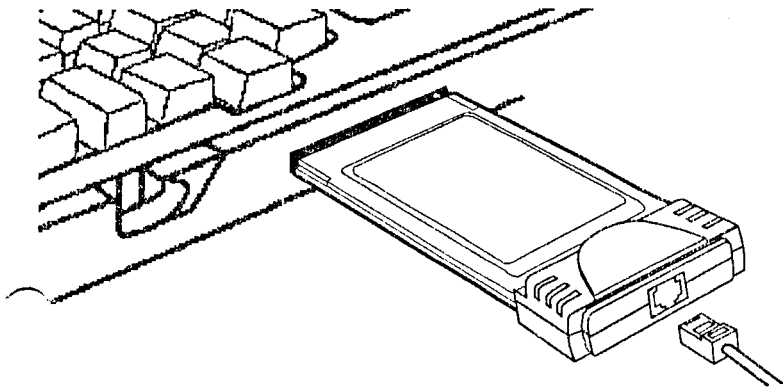
Novell Netware 3.x/4.x

Microsoft LAN Manager
Packet Driver Applications
Microsoft Windows for Workgroups 3.11
Microsoft Windows 3.1
Microsoft Windows NT 3.51, NT 4.0
Windows 95
Windows 98
Windows 2000
Lantastic 6.0
IBM OS/2 Warp Version 3

HARDWARE INSTALLATION

1. Locate the PCMCIA slot of your system.
2. Align the Dual_Speed-10/100_Port_Attached_PC_Card toward the PCMCIA slot. Push evenly and steadily until it is seated.

Notebook



3. Connect the other end of the PC Card cable to the telephone line outlet.
4. You are now ready to continue the software installation.

APPENDIX A. SPECIFICATIONS

Network Interface Specifications

- IEEE 802.3 for 10BaseT
- IEEE 802.3u for 100BaseTX

Data Rate

- 10/100 Mbps, Double data rate in Full Duplex mode

Operating Systems

For Notebook PC: (with accessory adapter)

- Novell Netware 3.x, 4.x
- Microsoft LAN Manager
- Packet Driver Applications
- Microsoft Windows for Workgroups 3.11
- Windows 3.1
- Microsoft Windows NT 3.51, NT 4.0
- Windows 95/98
- Windows 2000 ready

Power Requirements

Normal Operation: +5V DC, 300mA max

General Specification

LEDs: Six LEDs on the Direct Port

- Link (Green, On)
- 100/10 (Orange, On)
- Full (Green, On)

- RX (Green, Blink)
- COL (Orange, On)
- TX (Green, Blink)

Environments Ranges

Operating: 32°F to 149°F (0°C to 65°C)

Storage: -4°F to 158°F (0°C to 70°C)

Humidity: 10% - 90% , noncondensing

Certifications

FCC, Part 15, Class B, VCCI-B

CE Mark (EN55022,ClassB, EN50082-1)