

# User's Guide

Thank you for purchasing the bluetooth headset and transmitter that connects to iPod. The headset can serve as a wireless streaming device, all it takes is to connect the home stereo system to its line-out port. The iPod is used as a remote control and can stream music from as far as 30 feet to the headset or home stereo system.

## Package Contents:

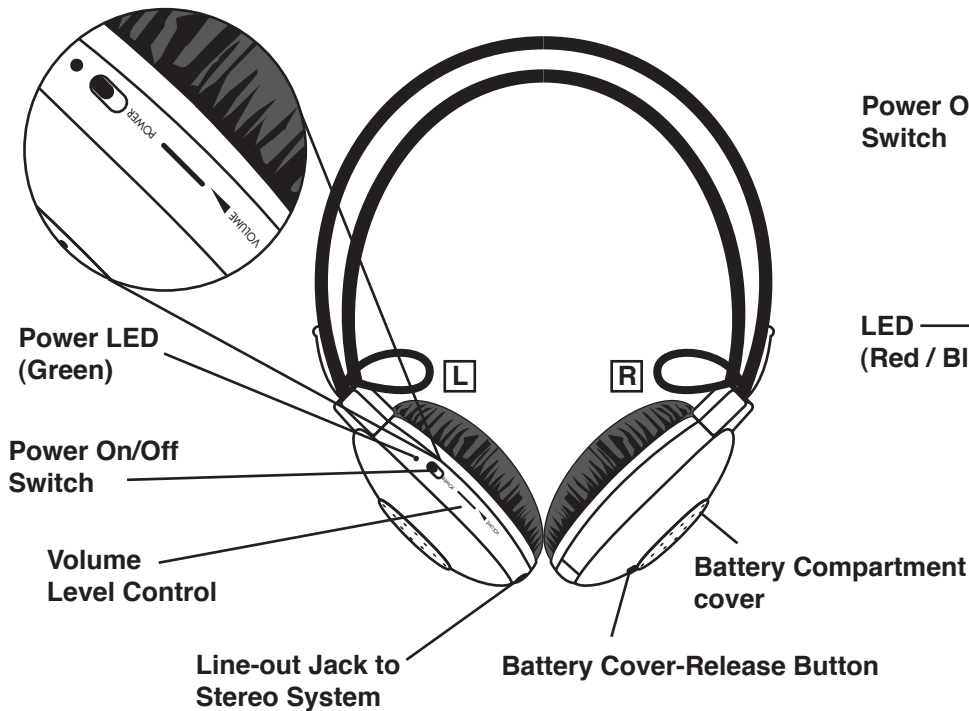
- |                          |                         |
|--------------------------|-------------------------|
| 1) Bluetooth Headset     | 3) 4 AAA batteries      |
| 2) Bluetooth Transmitter | 4) Line-out audio cable |

## Specifications:

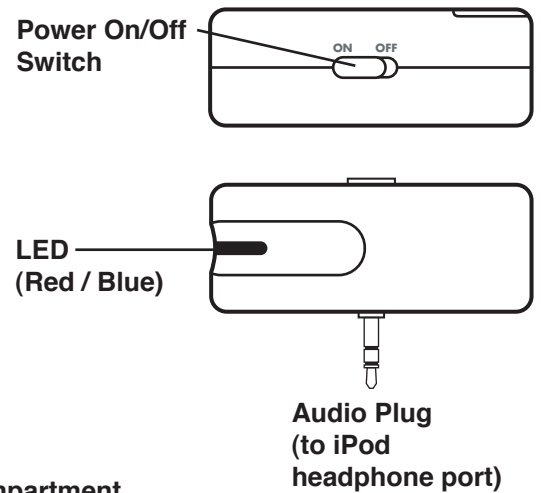
Power requirements	DC 3V [1.5V AAA x 2]
Headset Speaker	40mm Mylar cone
Impedance	32 Ohms $\pm$ 4 Ohms
Distortion	1% THD at NOM.DEV
S/N Ratio	60dB
R/L Balance	$\pm$ 2dB (mono)
Weight	Approx. 170g

## Hardware Basics

### Bluetooth Headset



### Bluetooth Transmitter





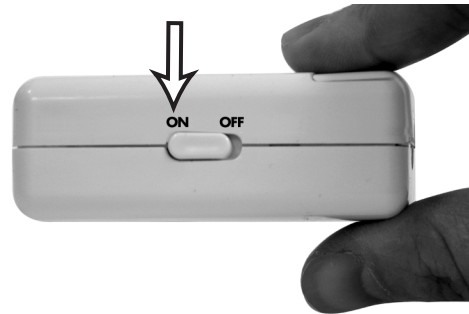
1. Press the battery compartment Cover-Release button on the headset to open the cover and insert two 1.5volt, AAA batteries.



2. Open the battery compartment cover from the back of the transmitter and insert two 1.5volt, AAA batteries



3. Slide the Headset power switch on, the LED light will turn green.



4. Slide the Transmitter power switch on, the LED light will turn red and start pairing with the headset. Once the pairing is finished, LED light will turn to blue color and flash steadily.



5. Plug the transmitter to your iPod or any music player and enjoy cordless stereo music. When finished, make sure to turn off both transmitter and headset to conserve battery power.



6. To stream music to stereo system, please follow step 1 to 5, then put headset next to stereo system, connect the audio cable from line out jack on the headset to AUX/Video RCA jack (both left and right channel.) In stereo system select AUX/Video mode, now everyone can start enjoying music from iPod through your stereo system.

## Facts and Tips

- 1) Working distance is 30ft, actual distance will depending upon the battery power level, walls, doors, furnitures and position angle of the transmitter and headset.
- 2) Bluewave can be used with other audio device like MP3 player, CD player, TV and computer etc. Additional cable adapter maybe required.
- 3) Headset also support Bluetooth enabled PC computers. However, the quality of the stereo depends on the OS support. Please check our website for update information.
- 4) Rare static (noise) in the headset is normal. Occasional static may indicate low battery power level or transmitter/headset are too far apart. Move headset closer to transmitter. If static situation does not improve, replace batteries on transmitter and headset.
- 5) Either alkaline or rechargeable AAA batteries can be used. Battery lasts 2 to 8 hours typically.
- 6) Music playback volume can be adjusted from iPod and/or headset.

### **Federal Communication Commission Interference Statement**

This equipment has been tested and found to comply with the limits for a Class B digital device, pursuant to Part 15 of the FCC Rules. These limits are designed to provide reasonable protection against harmful interference in a residential installation. This equipment generates, uses and can radiate radio frequency energy and, if not installed and used in accordance with the instructions, may cause harmful interference to radio communications. However, there is no guarantee that interference will not occur in a particular installation. If this equipment does cause harmful interference to radio or television reception, which can be determined by turning the equipment off and on, the user is encouraged to try to correct the interference by one of the following measures:

- Reorient or relocate the receiving antenna.
- Increase the separation between the equipment and receiver.
- Connect the equipment into an outlet on a circuit different from that to which the receiver is connected.
- Consult the dealer or an experienced radio/TV technician for help.

This device complies with Part 15 of the FCC Rules. Operation is subject to the following two conditions: (1) This device may not cause harmful interference, and (2) this device must accept any interference received, including interference that may cause undesired operation.

FCC Caution: Any changes or modifications not expressly approved by the party responsible for compliance could void the user's authority to operate this equipment.

### **IMPORTANT NOTE:**

#### **FCC Radiation Exposure Statement:**

This equipment complies with FCC radiation exposure limits set forth for an uncontrolled environment. End users must follow the specific operating instructions for satisfying RF exposure compliance.

This transmitter must not be co-located or operating in conjunction with any other antenna or transmitter.