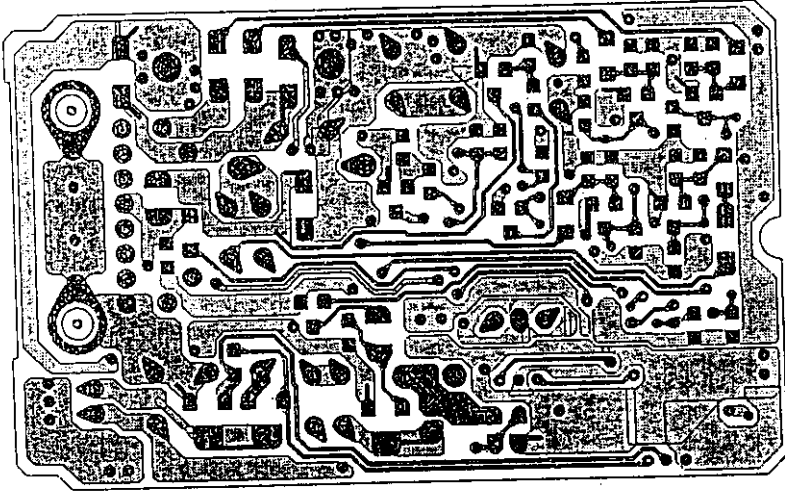
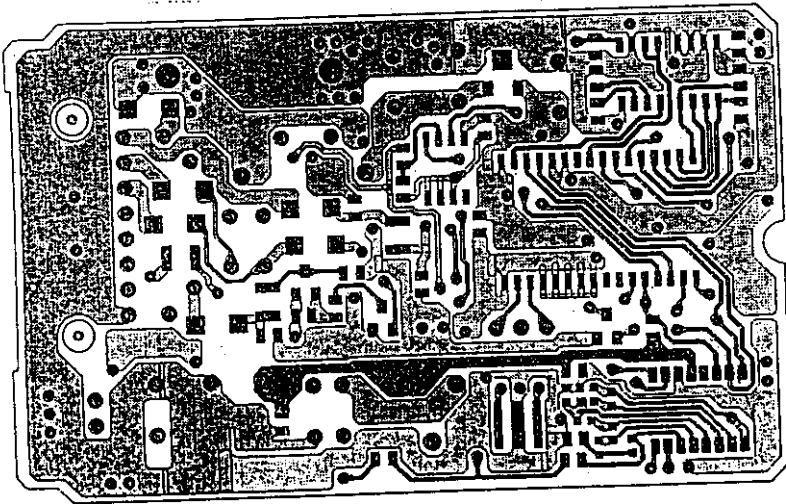


NAME	CIRCUIT DIAGRAM, CONTROLLER W/ AMP
PART NO	627941-701
SCALE	FREE

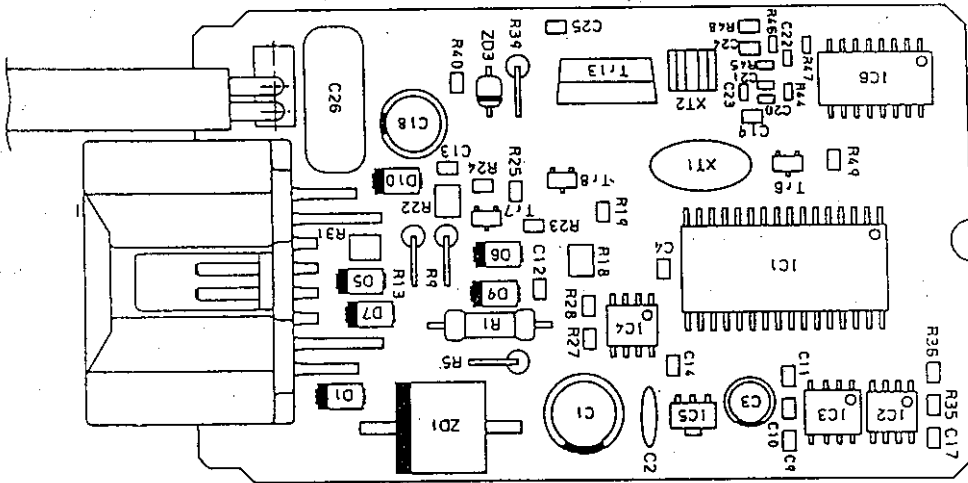
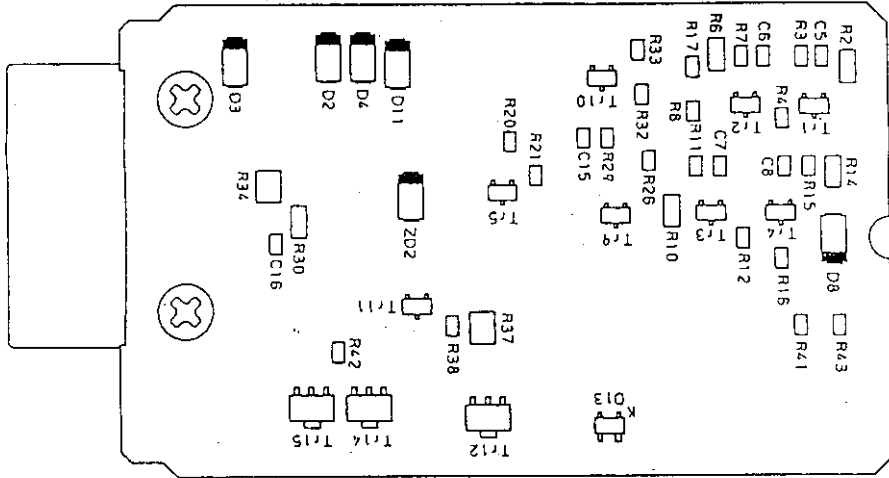


SECOND SURFACE



FIRST SURFACE

NAME	PARTS LAYOUT CONTROLLER W/ AMP
PART NO	627941-701
SCALE	FREE



NAME	PARTS LAYOUT, CONTROLLER W/ AMP
PART NO	627941-701
SCALE	FREE

Components List of Electric Circuit Boards of MDL RI-9BTY-1

1. transponder

TIRIS(manufactured by Texas Instruments)

(We do not have detailed components list.)

2. Controller w/ AMP

SYM.	PARTS NAME	DESCRIPTION
1	PRINTED CIRCUIT BOARD	
2	CORD ASSY	
IC1	CPU	8bits,ROM 16Kbytes & RAM 256bytes
IC2	IC, E PROM	512bytes
IC3	IC, WATCH DOG	MB3793-30PNF
IC5	IC, REGULATOR	TA78DS05F
C25	CAPACITOR CERAMIC	0.001 μ F, 200V
ZD1	ZENER DIODE	30V, 5W
ZD2	ZENER DIODE	5.6V, 400mW
3	CONNECTOR	
4	SCREW, TAPPING	
IC6	IC, ASIC, TIRIS	TMS577805
XT1	CERAMIC RESONATOR	4.91MHz
XT2	CERAMIC RESONATOR	17.12MHz
TR1, 2, 10	TRANSISTOR	NPN 50V, 150mA, 150mW
TR3~5, 7	TRANSISTOR	PNP 50V, 150mA, 150mW
TR6, 8, 11	TRANSISTOR	NPN 50V, 100mA, 200mW
TR12	TRANSISTOR	PNP 80V, 1A, 2W
TR13	TRANSISTOR	NPN 60V, 5A, 25W
TR14	FET	P-channel 60V, 1.5A, 2W
TR15	FET	N-channel 60V, 1A, 2W
D1~11	DIODE	400V, 1A
D13	DIODE	200V, 100mA
C1	CAPACITOR, ALUMINIUM	100 μ F, 50V
C3	CAPACITOR, ALUMINIUM	47 μ F, 16V
C18	CAPACITOR, ALUMINIUM	180 μ F, 16V
C2	CAPACITOR, CERAMIC	0.1 μ F, 50V
C4~6, 9, 14, 17, 19	CAPACITOR, CERAMIC	0.1 μ F, 50V
C7, 8	CAPACITOR, CERAMIC	100 μ F, 50V
C10, 12, 13	CAPACITOR, CERAMIC	0.047 μ F, 50V
C11	CAPACITOR, CERAMIC	0.022 μ F, 50V
C20, 23	CAPACITOR, CERAMIC	0.000068 μ F, 50V
C21, 22	CAPACITOR, CERAMIC	0.001 μ F, 50V
C24	CAPACITOR, CERAMIC	0.00051 μ F, 50V

SYM.	PARTS NAME	DESCRIPTION
C26	CAPACITOR, FILM	0.047 μ F, 100V
R1	RESISTOR	22 Ω , 1W
R5, 9, 13	RESISTOR	1.2k Ω , 1/2W
R39	RESISTOR	470 Ω , 1/2W
R3, 4, 7, 8, 12, 16, 19~21, 23~27, 33 41, 43, 49	RESISTOR	10k Ω , 1/10W
R11, 15	RESISTOR	33k Ω , 1/10W
R17	RESISTOR	200 Ω , 1/10W
R32, 35, 36, 38	RESISTOR	4.7k Ω , 1/10W
R40	RESISTOR	100k Ω , 1/10W
R42, 48	RESISTOR	100 Ω , 1/10W
R2	RESISTOR	30k Ω , 1/8W
R6, 10, 14	RESISTOR	10k Ω , 1/8W
R18	RESISTOR	910 Ω , 1/4W
R22, 37	RESISTOR	1.5k Ω , 1/4W
R28	RESISTOR	2k Ω , 1/10W
R29	RESISTOR	20k Ω , 1/10W
R44, 45	RESISTOR	1M Ω , 1/16W
R46, 47	RESISTOR	10k Ω , 1/16W
R30	RESISTOR	39k Ω , 1/8W
R34	RESISTOR	10 Ω , 1/4W
R31	RESISTOR	2.2k, 1/2W
C15	CAPACITOR, CERAMIC	100P
ZD2	ZENER DIODE	30V, 1W
TR9	TRANSISTOR	PNP -50V -100A 200mV
IC4	LINEAR IC	μ PC393G2
C16	CAPACITOR, CERAMIC	470PF, 50V