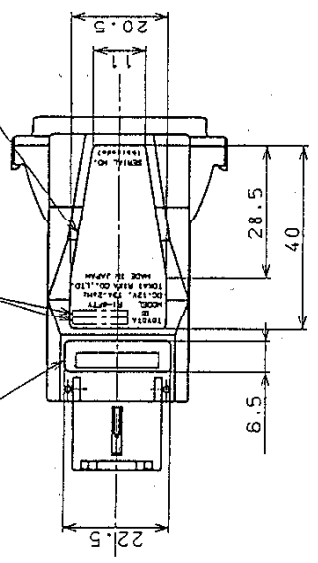


FCC ID: MOZRI-8FTY

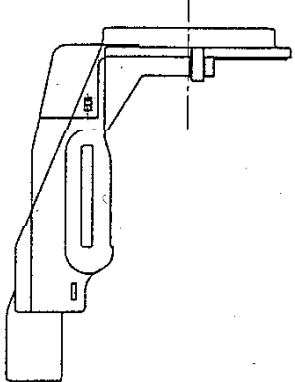
BAR CODE (SERIAL NO.)

PART NO.

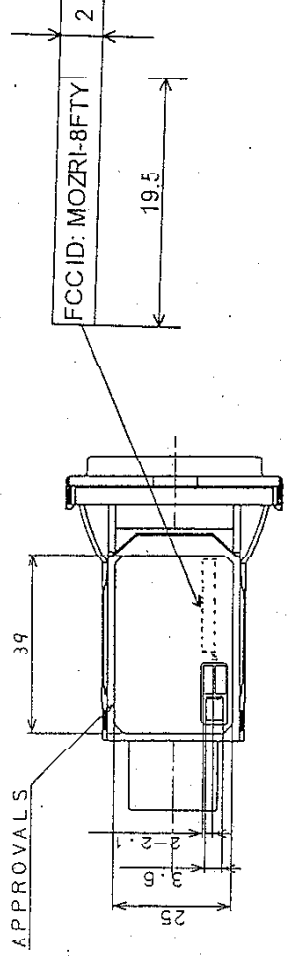
APPROVALS



TOP VIEW



SIDE VIEW



BOTTOM VIEW

\* This device is so small to place the statement specified in Sec. 15.19(a)(3), therefore the statement is placed in the owner's manual.

NAME	APPROVAL LEVEL
PART NO	
SCALE	FREE