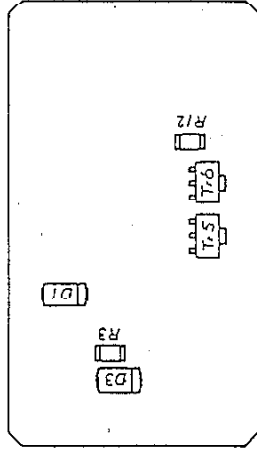
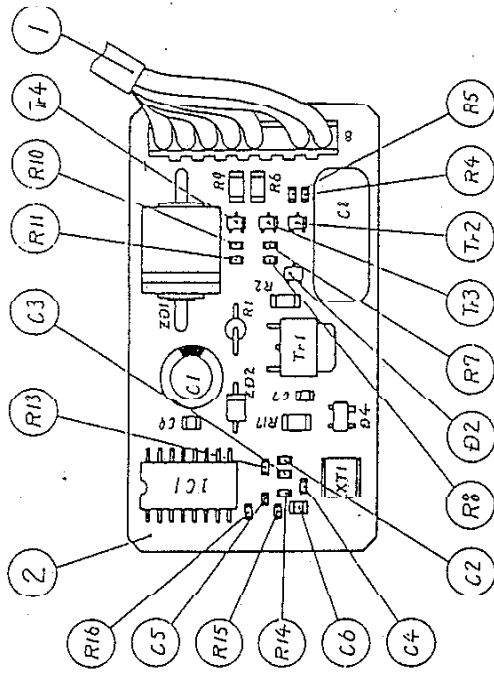


NAME	CIRCUIT DIAGRAM,
PART NO	627535-702
SCALE	FREE



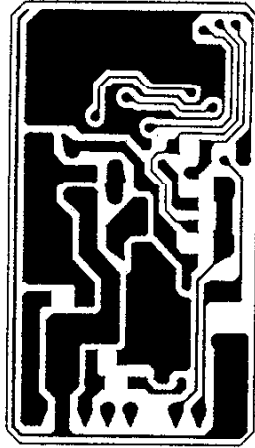
BOTTOM VIEW



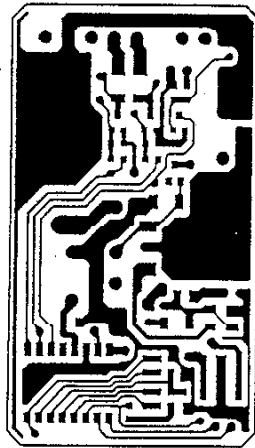
TOP VIEW

NAME	PARTS LAYOUT AMPLIFIER
PART NO	627565-702
SCALE	FREE

FCC ID: MOZRI-4ETY



SECOND SURFACE



FIRST SURFACE

NAME	PRINTED PATTERN, AMPLIFIER
PART NO	627565-702
SCALE	FREE