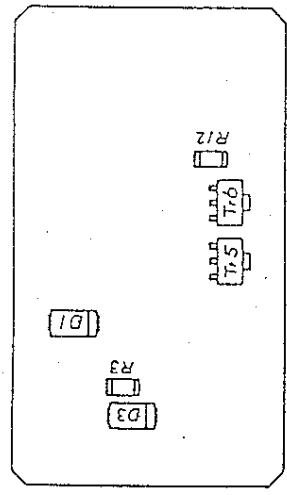
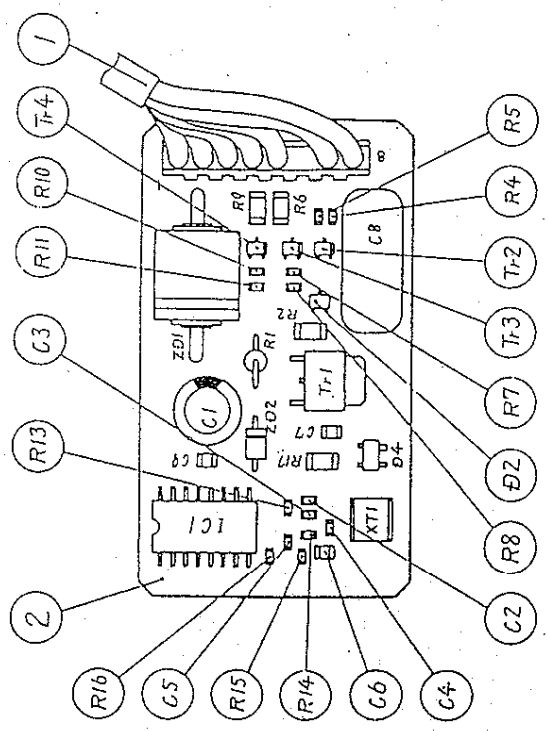


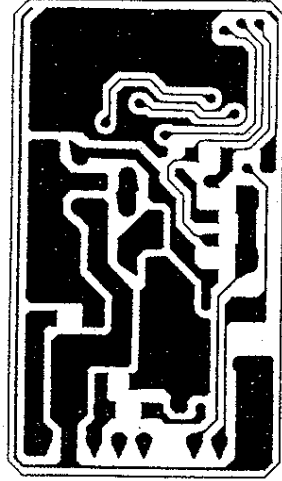
NAME	PARTS LAYOUT AMPLIFIER
PART NO	627586-702
SCALE	FREE



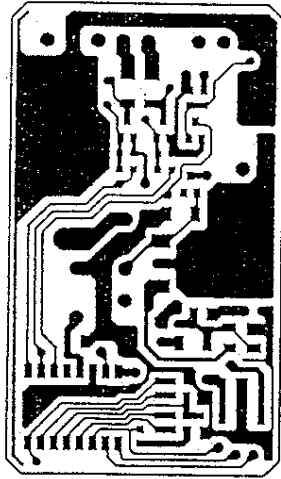
BOTTOM VIEW



TOP VIEW



SECOND SURFACE



FIRST SURFACE

NAME	PRINTED PATTERN, AMPLIFIER
PART NO	627586-702
SCALE	FREE