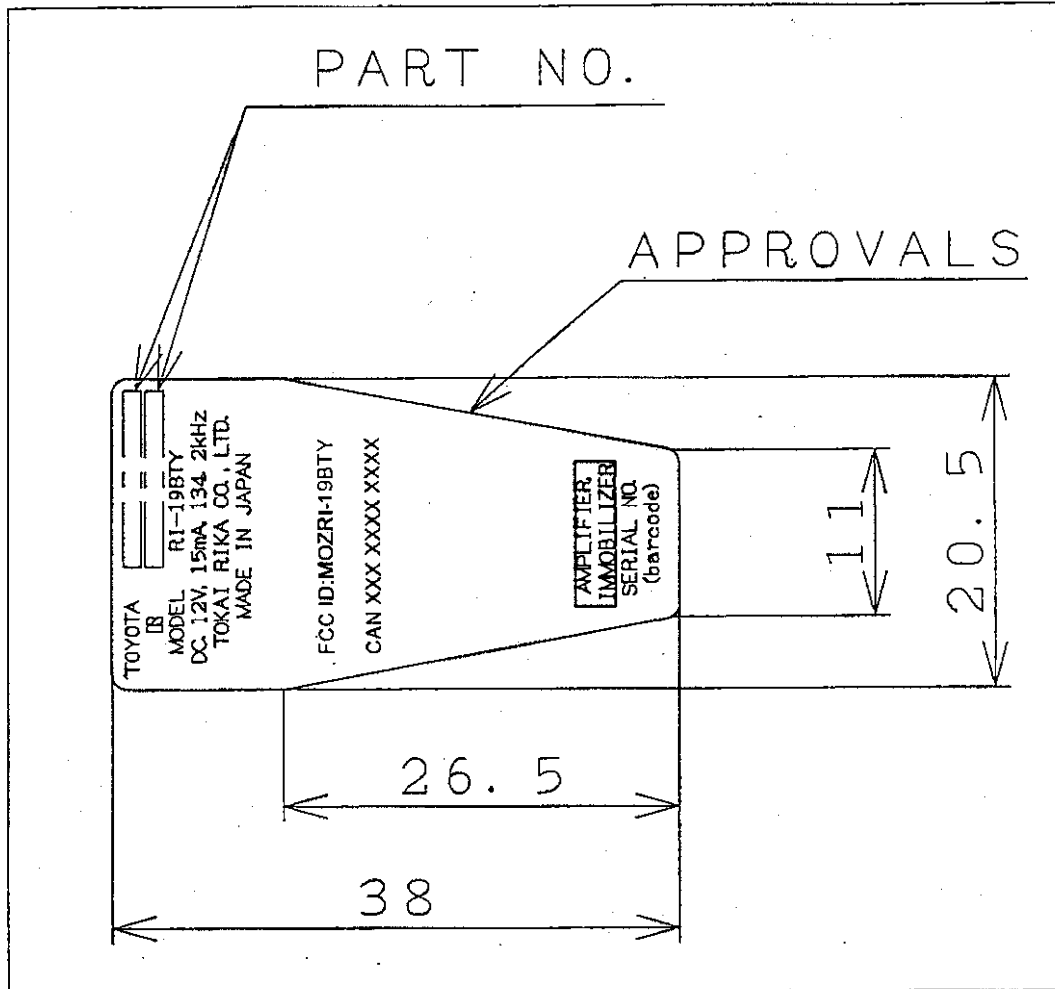
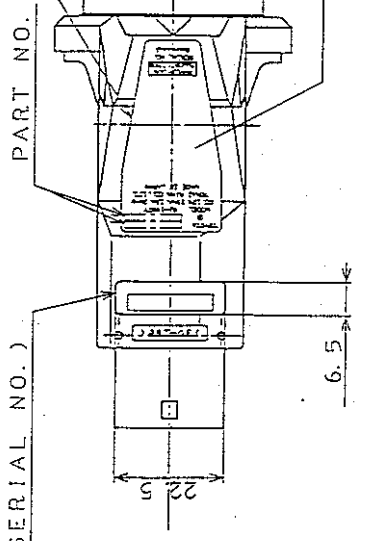


FCC ID Label



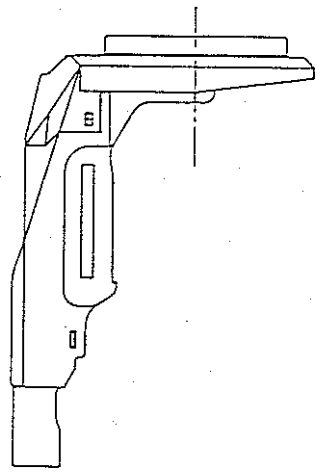
NAME	APPROVAL LEVEL
PART NO.	
SCALE	FREE

BAR CODE (SERIAL NO.)

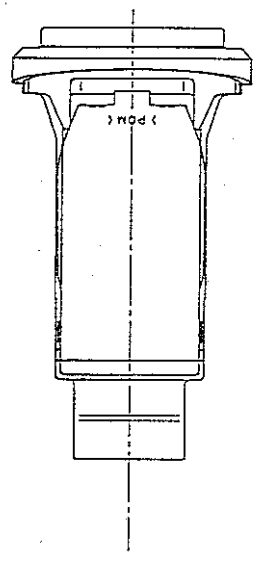


FCC ID:MOZRI-19BTY
CAN XXX XXXX XXXX

TOP VIEW



SIDE VIEW



BOTTOM VIEW