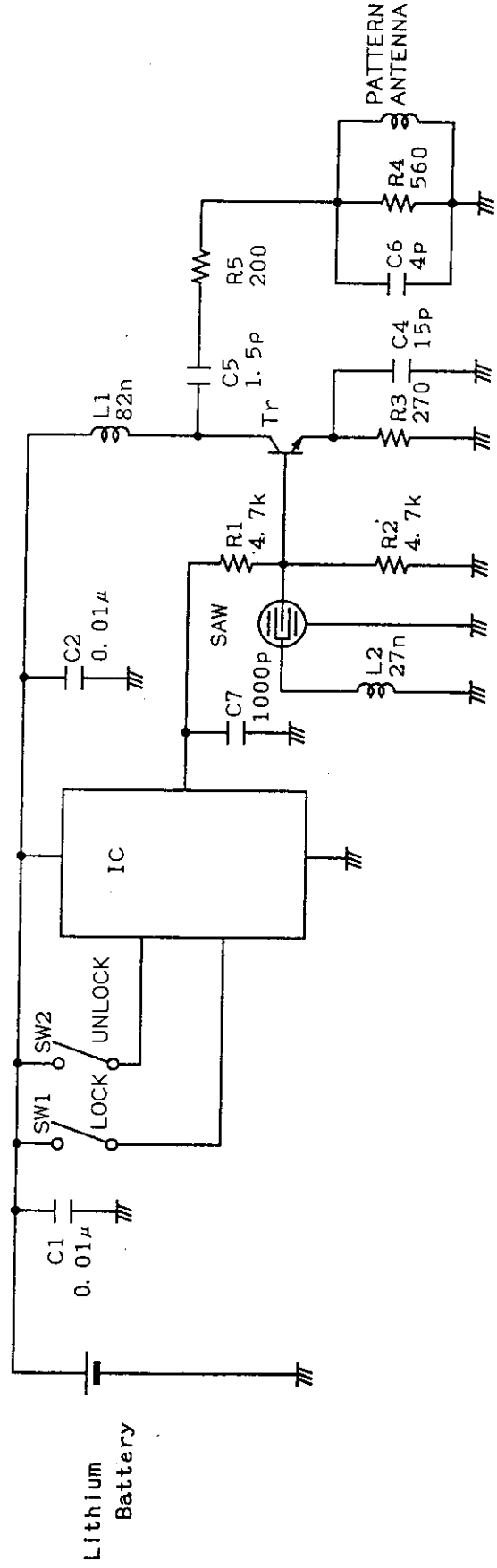
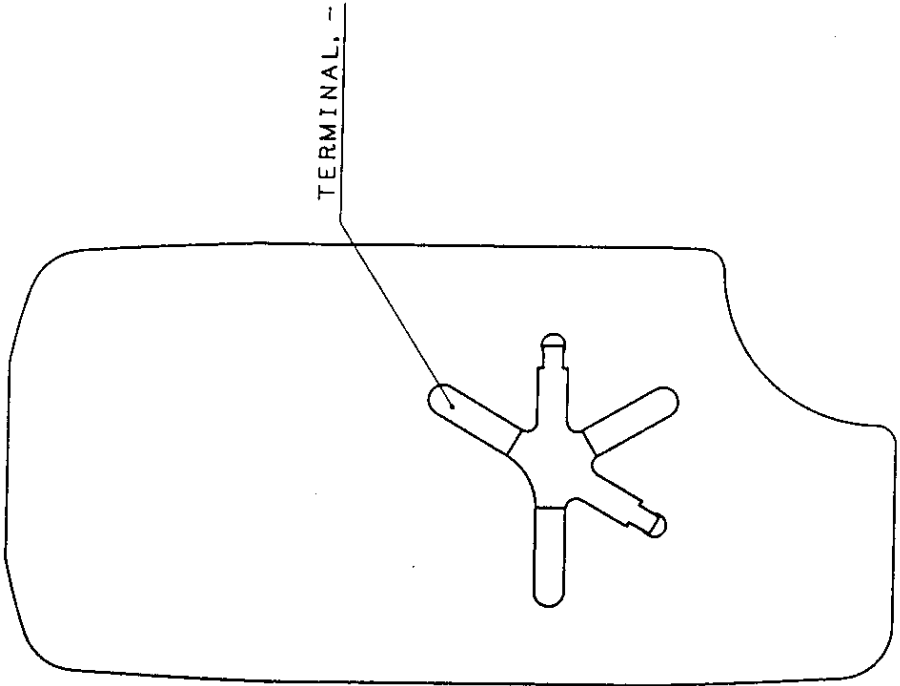
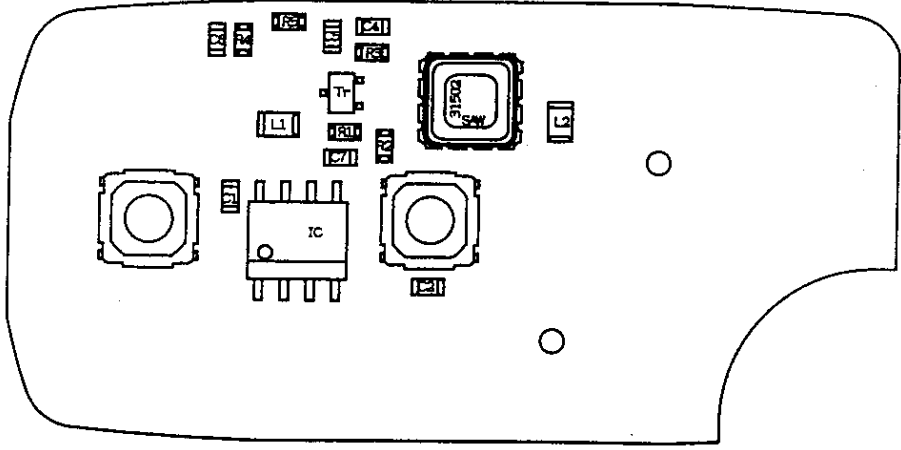


Circuit Diagram



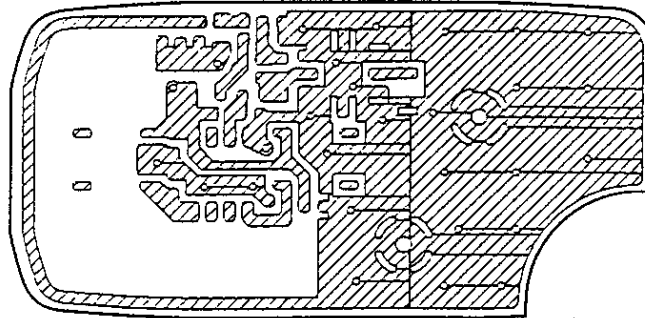
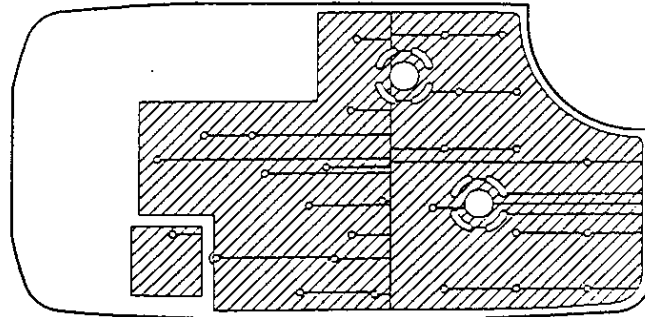
NAME	CIRCUIT DIAGRAM
PART NO.	TRANSMITTER BOARD
SCALE	DO1BB
	FREE

Layout



NAME	LAYOUT.
PART NO.	TRANSMITTER BOARD
SCALE	001BB
	FREE

Printed Pattern



NAME	PRINTED PATTERN
PART NO.	TRANSMITTER BOARD
SCALE	DO1BB
	FREE

Transmitter Board
Parts list

Symbol	Parts Name	Description	QTY
	Printed Circuit Board		1
	Terminal, -	GND	1
C1,C2	Capacitor, Ceramic	0.01 μ F	2
C4	Capacitor, Ceramic	15pF	1
C5	Capacitor, Ceramic	1.5pF	1
C6	Capacitor, Ceramic	4pF	1
C7	Capacitor, Ceramic	1000pF	1
R1,R2	Resistor	4.7k Ω	2
R3	Resistor	270 Ω	1
R4	Resistor	560 Ω	1
R5	Resistor	200 Ω	1
Tr	Transistor	NPN	1
L1	Inductor	82nH	1
L2	Inductor	27nH	1
IC	IC, Encoder		1
SAW	Resonator, SAW	315.02 MHz	1
SW1,2	Switch		2

NAME	TRANSMITTER BOARD
PART NO.	D01BB
SCALE	FREE