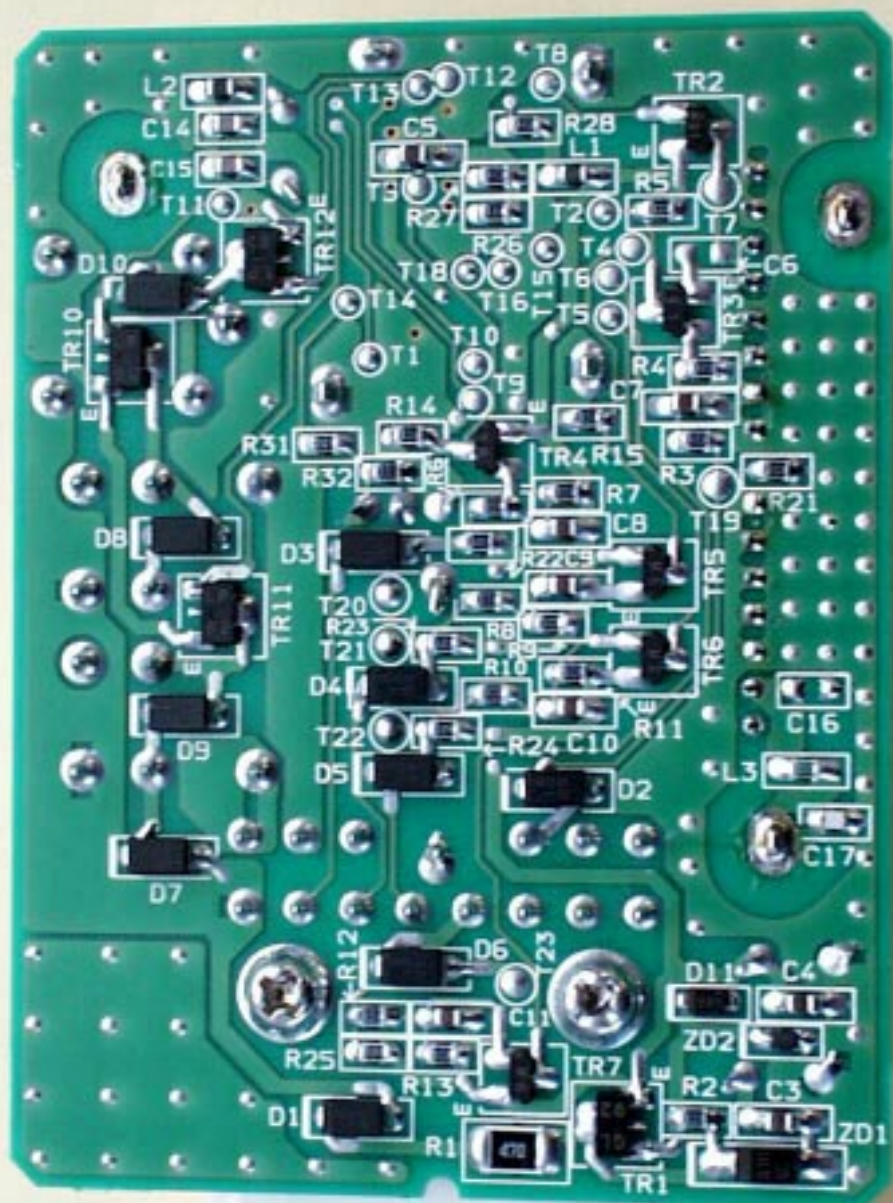
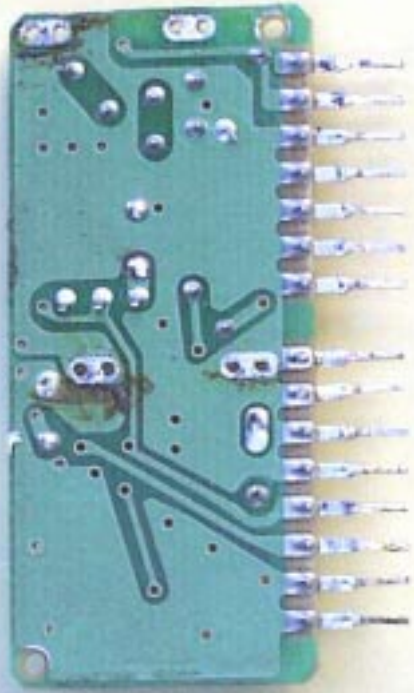


Mother PCB. part No. D01PB





Receiver Module
Part No. D01MB



Receiver Module
Part No. D01MB