

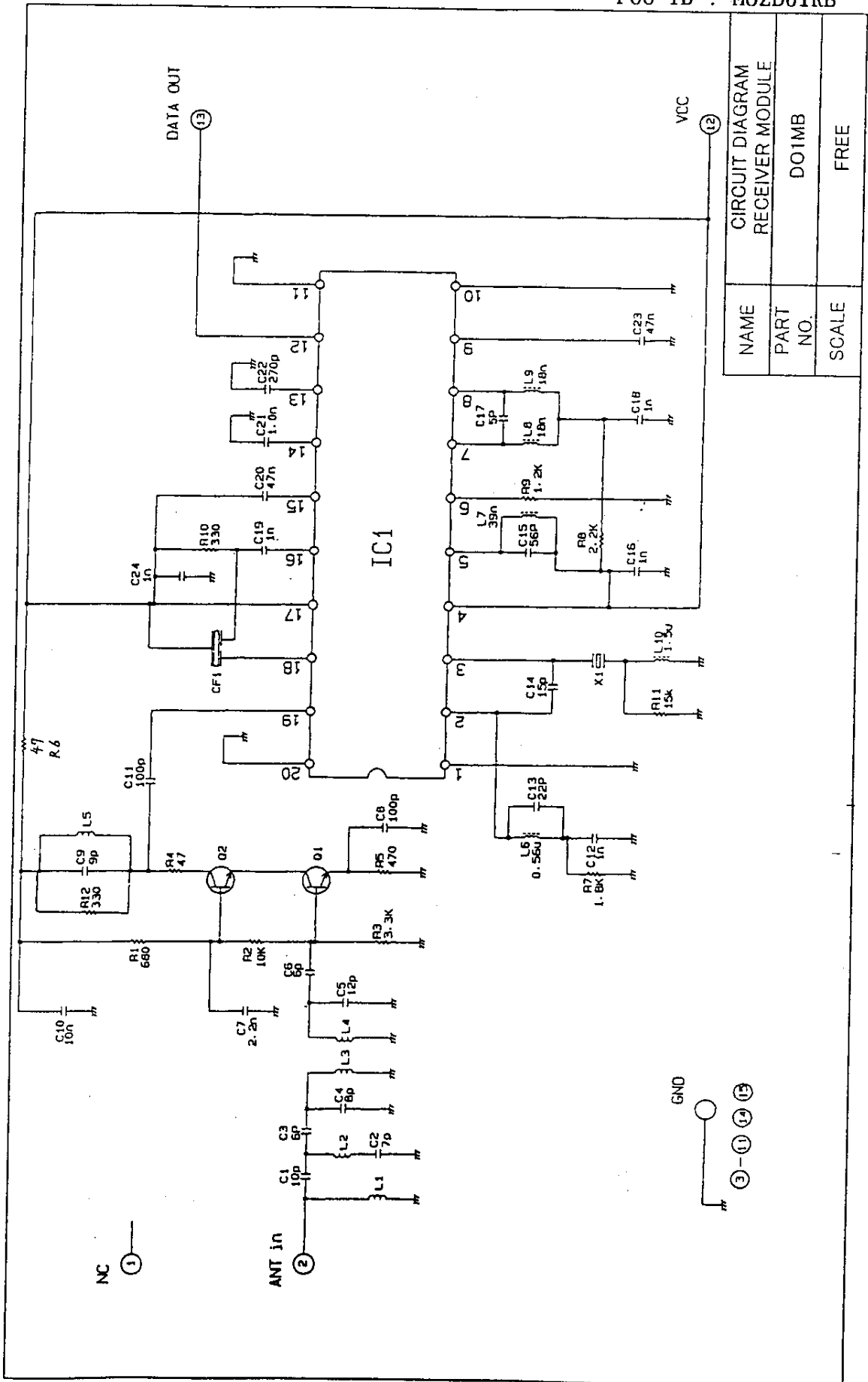
NAME	MOTHER PCB W/ ANTENNA
PART NO.	D01PB
SCALE	FREE

CIRCUIT DIAGRAM

Receiver

Parts list

Symbol	Component	Quantity	Remarks
1	PRINTED CIRCUIT BOARD	1	
2	CONNECTOR	1	
3	ANTENNA	1	
4	SCREW, TAPPING	2	
5	CASE, SHIELD	1	
RFU	RECEIVER MODULE	1	
IC1	IC, CPU	1	
IC2	IC, WATCHDOG	1	
IC3	IC, EEPROM	1	
CL	Oscillator, Crystal 4.981MHz	1	
D11	Diode	1	
D1, 2, 3, 4, 5, 6, 7, 8, 9, 10	Diode	10	
ZD1	Zener Diode 18V	1	
ZD2	Zener Diode 5.6V	1	
TR1	Transistor, NPN	1	
TR3	Transistor, NPN	1	
TR4, 5, 6, 7	Transistor, PNP	4	
TR8, 9, 10, 11, 12	Transistor, NPN	5	
L1, 2	Noise Filter	2	
L3	Inductor, 0~100nH or Resistor, 0 Ω	1	
C1	Capacitor, 33 μ F	1	
C2	Capacitor, 47 μ F	1	
C3, 4, 5, 7	Capacitor, 0.1 μ F	4	
C6, 18	Capacitor, 0.1 μ F or Nothing	2	
C8, 9, 10, 11	Capacitor, 0.01 μ F	4	
C12	Capacitor, 0.068 μ F	1	
C13	Capacitor, 0.022 μ F	1	
C14, 15	Capacitor, 20~40pF	2	
C16	Capacitor, 1~100pF or Nothing	1	
C17	Capacitor, 1~100pF or Nothing	1	
R1	Resistor, 10~100 Ω	1	
R2	Resistor, 10k~30k Ω	1	
R3, 4, 26, 27, 28, 29	Resistor, 47k Ω	6	
R5, 6, 7, 8, 9, 10, 11, 12, 13, 14, 15, 16, 17, 20, 30	Resistor, 10k Ω	15	
R18, 19	Resistor, 10 Ω	2	
R21	Resistor, 1k Ω	1	
R22, 23, 24, 25	Resistor, 620 Ω	4	
RLY1	Relay	1	
RLY2	Relay	1	
TR2	Transistor, PNP	1	
TR13	Transistor, NPN	1	
R31	Resistor, 1.5k Ω	1	
R32	Resistor, 33k Ω	1	
R33	Resistor, 0.33 Ω	1	



NAME	CIRCUIT DIAGRAM
PART NO.	DO1MB
SCALE	FREE

Component	Position	Qty
Tr 2SC3935	Q1 Q2	2
Capacitor 0.1n ~ 100nF	C21, C23	2
Capacitor 47nF	C20	1
Capacitor 5pF	C17	1
Capacitor 6pF	C3 C6	2
Capacitor 7pF	C2	1
Capacitor 1 ~ 15pF	C4	1
Capacitor 1 ~ 30pF	C9	1
Capacitor 1 ~ 10pF	C1	1
Capacitor 100pF	C8 C11	2
Capacitor 1.0nF	C12 C16 C18	5
	C19 C24	
Capacitor 10nF	C10	1
Capacitor 1 ~ 50pF	C5	1
Capacitor 15pF	C14	1
Capacitor 22pF	C13	1
Capacitor 2.2nF	C7	1
Capacitor	C22	1
Capacitor 56pF	C15	1
Inductor 1.5 μ H	L10	1
Inductor 39nH	L7	1
Inductor 0.56 μ H	L6	1
Inductor 18nH	L8 L9	2
IC MT52A	IC1	1
Resistor 10k Ω	R2	1
Resistor 1.2k Ω	R9	1
Resistor 15k Ω	R11	1
Resistor 1.8k Ω	R7	1
Resistor 2.2k Ω	R8	1
Resistor 330 Ω	R10	
Resistor 3.3k Ω	R3	1
Resistor 47 Ω	R4 R6	2
Resistor 470 Ω	R5	1
Resistor 680 Ω	R1	1
Resistor 100 ~ 10k Ω	R12	1

Component	Position	Qty
Coil	L1 L2 L3	5
	L4 L5	
Ceramic Filter	CF1	1
	10.7MHz	
Terminal	T1 (15pin)	1
シールドケース	SC1	1
Crystal OSC	X1	1
	50.71666MHz	

NAME	RECEIVER MODULE
PART NO.	DO1MB
FREE	FREE