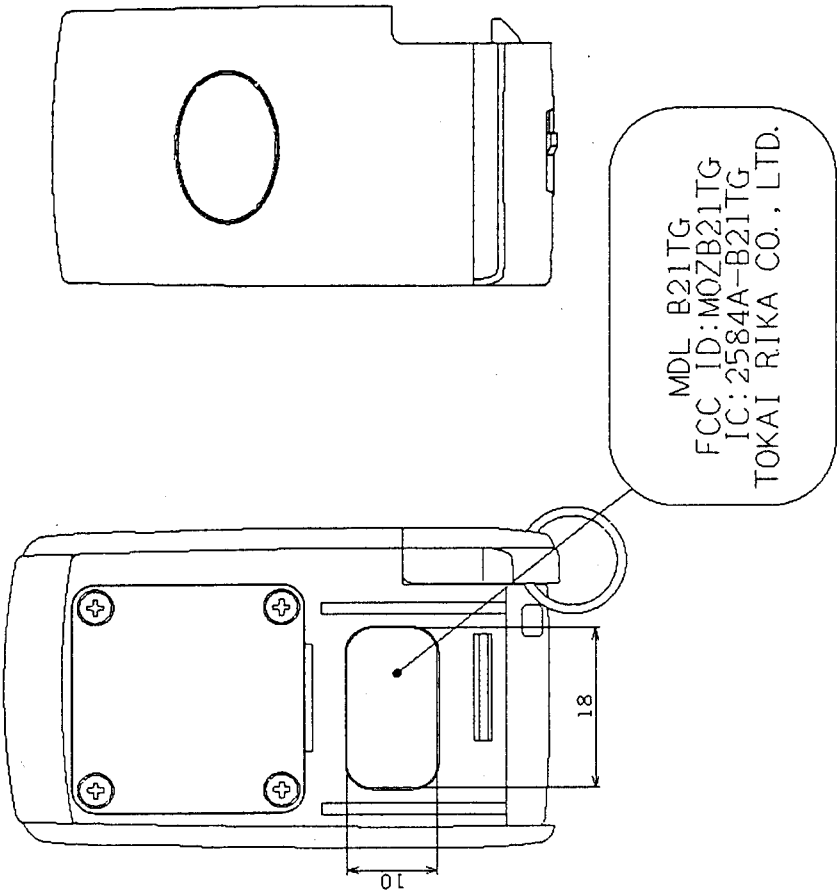


Approval / Certification Label Layout



NAME	Card Key
PART No.	B21TG
SCALE	Free