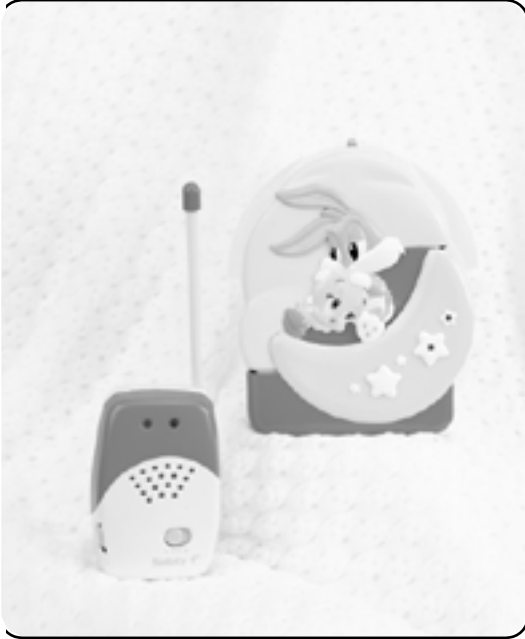


Baby Looney Tunes

Nursery Monitor & Crib Light

Owner's Guide



Thank you for purchasing the Safety 1st Baby Looney Tunes Nursery Monitor & Crib Light. This is a state-of-the-art system that combines some of the most unique features that any baby monitor offers. We are confident that you will appreciate its many highlights. As you will soon learn there are many more features...

The Baby's Unit (Transmitter) has continuous transmission that clearly sends your baby's sounds to the Parent's Unit. This gives you the ability to continue with your daily activities throughout the house or yard and at the same time monitor your baby.

The Parent's Unit (Receiver) remains with you wherever you go to pick up the sounds that are transmitted from the Baby's Unit. It conveniently clips to your belt or easily stands on a table.

Both units are completely portable or AC powered. The AC Adapter allows the receiver and transmitter to be plugged into any standard electrical outlet for use with your household electricity. For convenient use without an outlet, use a 9 volt battery for the Parent's unit and 4 "D" cell alkaline batteries for the Baby's unit (Batteries not included).

We are sure that you will find the Safety 1st Baby Looney Tunes Nursery Monitor & Crib Light convenient and easy to use. To insure that you will benefit from all of the great features that our monitor offers, and to make sure that it is used properly, we urge you to:

PLEASE READ ALL INSTRUCTIONS CAREFULLY BEFORE USING THE BABY LOONEY TUNES NURSERY MONITOR & CRIB LIGHT
KEEP THESE INSTRUCTIONS FOR YOUR FUTURE REFERENCE

IF YOU HAVE ANY QUESTIONS, CALL OUR TOLL FREE CONSUMER RELATIONS NUMBER: (800) 723-3065

CAUTION: THE NURSERY MONITOR IS NOT INTENDED TO REPLACE PROPER ADULT SUPERVISION.
YOU SHOULD CHECK YOUR CHILD'S ACTIVITY AT REGULAR INTERVALS AS THIS MONITOR
WILL NOT ALERT PARENTS TO THE SILENT ACTIVITIES OF A CHILD.

Contents

Parent's Unit (Receiver)
Baby's Unit (Transmitter)
Crib Clamp Assembly
2) A/C Adapters

Battery Requirements

(4) "D" size alkaline batteries
(1) 9-volt battery
(Batteries Not Included)

Safety Instructions



CAUTION
RISK OF ELECTRIC SHOCK
DO NOT OPEN



CAUTION: TO REDUCE THE RISK OF ELECTRICAL SHOCK, DO NOT REMOVE COVER OR BACK.
NO SERVICEABLE PARTS INSIDE.
REFER SERVICING TO SAFETY 1ST CONSUMER RELATIONS DEPARTMENT (800)-723-3065
DO NOT EXPOSE THIS PRODUCT TO WATER OR MOISTURE.

laundry tub in a wet basement, or near a swimming pool, etc.

- **VENTILATION:** The Nursery Monitor should not be situated on a bed, sofa, rug, or similar surface that may block the ventilation openings, or placed in an enclosed installation, such as a book case or cabinet that may impede the flow of air through the ventilation openings.
- **HEAT:** The Nursery Monitor should be situated away from heat sources such as radiators, heat registers, stoves, or other appliances that produce heat.
- **POWER SOURCE:** The Nursery Monitor should be connected to a power supply only of the type described in these operating instructions.
- **POWER CORD PROTECTION:** The power supply cord should be routed so that it is not likely to be walked on or pinched by items placed upon or against it. Pay particular attention to the cord at the plug, convenience receptacle, and at the point it exits from the Nursery Monitor.
- **CLEANING:** Use a dry cotton cloth to keep the Nursery Monitor free of dust. Do Not Use Water.
- **NON-USE PERIODS:** The power cord of the Nursery Monitor should be unplugged from the outlet when unused for a long period of time. Batteries should be removed from both units.
- **OBJECT AND LIQUID ENTRY:** Care should be taken so that objects do not fall onto, and liquids are not spilled into the enclosure through the openings.
- **DAMAGE REQUIRING SERVICE:** The Nursery Monitor should be serviced by qualified service personnel when:
 - A. The Power supply cord has been damaged; or
 - B. Objects have fallen or liquid has been spilled into the product; or
 - C. The Monitor has been exposed to rain; or
 - D. The Monitor does not appear to operate normally or exhibits a marked change in its performance; or
 - E. The Monitor has been dropped or the enclosure damaged.

THE USER SHOULD NOT ATTEMPT TO SERVICE OR REPAIR THE MONITOR. ALL SERVICING SHOULD BE REFERRED TO SAFETY 1ST CONSUMER RELATIONS DEPARTMENT: (800) 723-3065

WALL MOUNTING: THE PARENT'S UNIT MAY BE MOUNTED ON THE WALL ONLY AS DESCRIBED IN THESE INSTRUCTIONS.

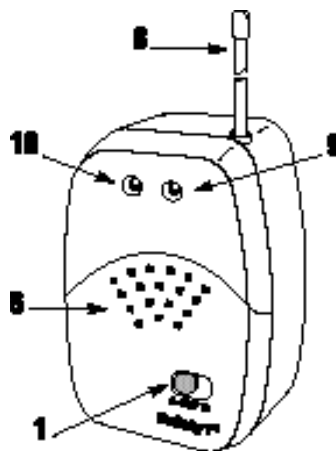
WHEN USED WITH ADAPTERS, KEEP ALL PARTS OF THIS MONITOR OUT OF REACH OF CHILDREN!

CAUTION: THIS MONITOR IS NOT INTENDED TO REPLACE PROPER ADULT SUPERVISION. YOU SHOULD CHECK YOUR CHILD'S ACTIVITY AT REGULAR INTERVALS AS THIS MONITOR WILL NOT ALERT PARENTS TO THE SILENT ACTIVITIES OF A CHILD.

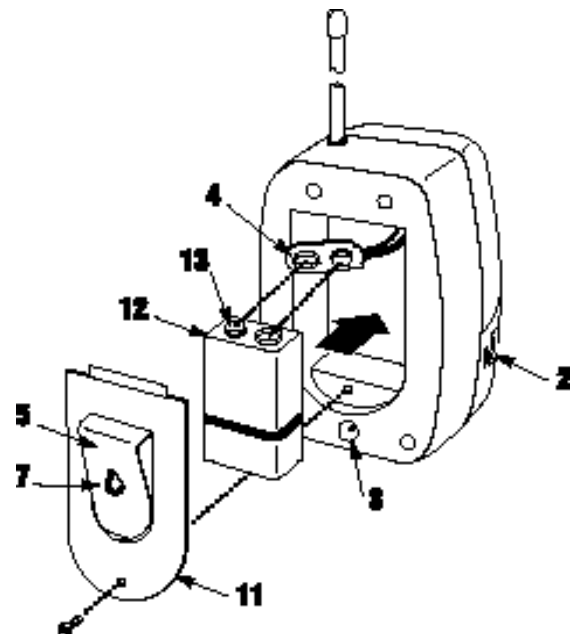
Features and Components

PARENT'S UNIT (RECEIVER)

- 1 Power/Channel Switch
- 2 Volume Dial
- 3 AC Adapter Jack
- 4 Battery Compartment (9-volt)
- 5 Plastic Belt Clip
- 6 Speaker
- 7 Key Hole Slot for Wall Mounting
- 8 Flexible Antenna
- 9 Low Battery Indicator (Red)
- 10 Power On Indicator (Green)
- 11 Battery Cover
- 12 (9-volt) Battery (not included)
- 13 Battery Contacts



Front view of Parent's Unit (Receiver)

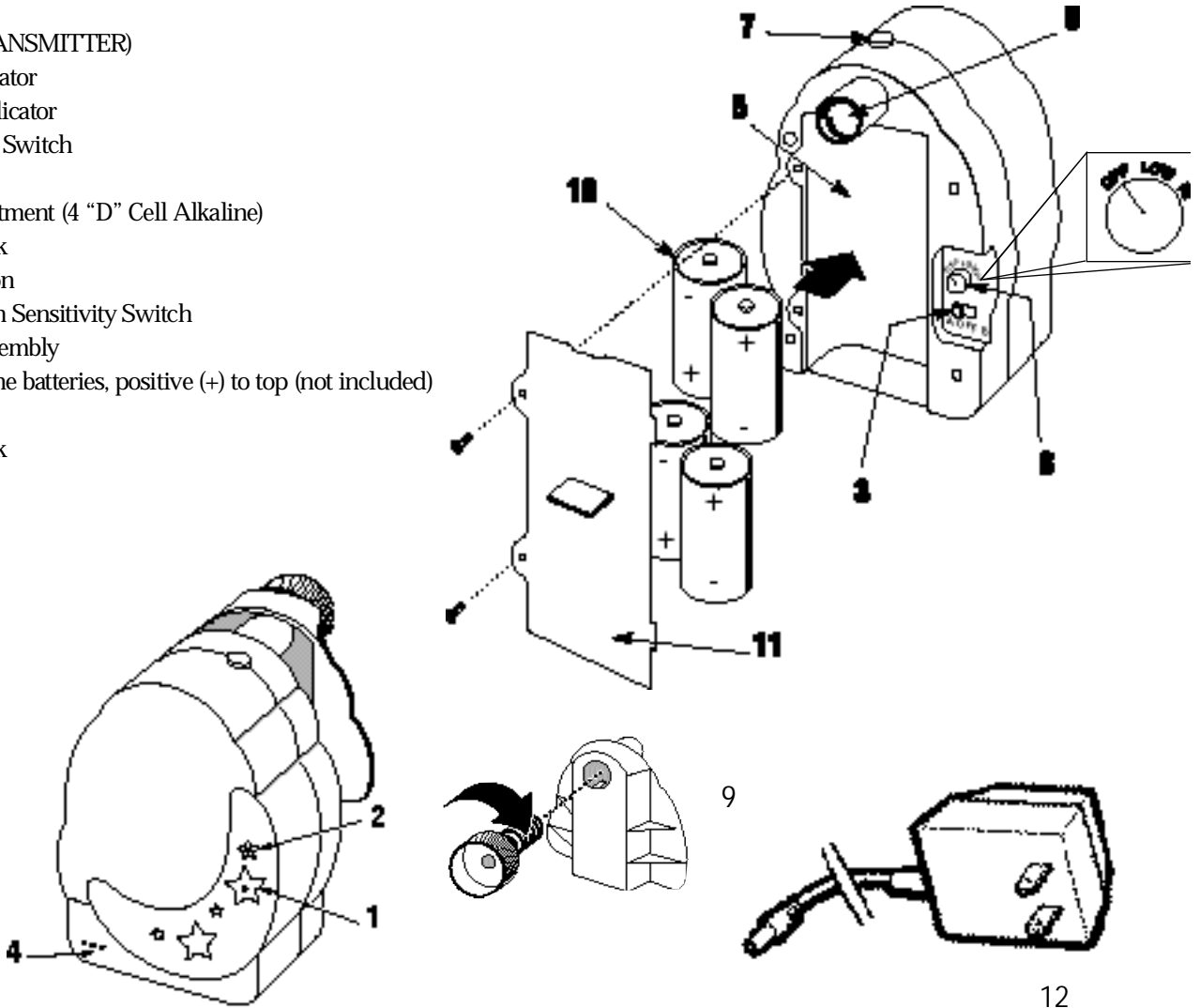


Rear view of Parent's Unit (Receiver)

Features and Components (continued)

BABY'S UNIT (TRANSMITTER)

- 1 Power On Indicator
- 2 Low Battery Indicator
- 3 Power/Channel Switch
- 4 Microphone
- 5 Battery Compartment (4 "D" Cell Alkaline)
- 6 AC Adapter Jack
- 7 Crib Light Button
- 8 Voice Activation Sensitivity Switch
- 9 Crib Clamp Assembly
- 10 Four "D" alkaline batteries, positive (+) to top (not included)
- 11 Battery Cover
- 12 AC Adapter Jack



A/C ADAPTER

The A/C Adapter is a low voltage power source that allows you to use your household electricity to run the Baby and Parent's Unit when you want to conserve battery life. It connects to the A/C Adapter Jack in the Parent's Unit and in the Baby's Unit (when not in use on crib), and plugs into any standard electrical outlet in your home.

Note: Do not place adapter under a window where a child might use it to step on and reach something that might be dangerous.

CAUTION: These adapters were made with a specific design for Safety 1st Baby Looney Tunes Nursery Monitor & Crib Light. They cannot be used with any other appliance. Never use a different type of adapter with this monitor.

Operating Your Baby Looney Tunes Nursery Monitor & Crib Light

Follow these instructions to operate your Baby Looney Tunes Baby Looney Tunes Nursery Monitor & Crib Light. Reference the illustrations provided on page 1 & 2 for the location of all features described in these instructions.

Baby's Unit:

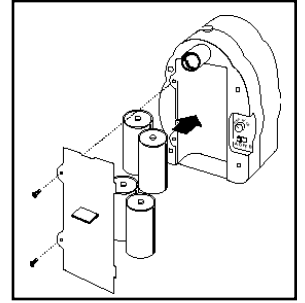
For best results, attach the Baby's Unit to the crib or place the Baby's Unit on a dresser near the crib or bed.

Note: Baby's Unit can only operate on battery power when attached to crib.

REQUIRED:

- Phillips Screwdriver
- 4 "D" Size Alkaline Batteries

1. Remove screws from battery cover and remove cover.
 2. Insert 4 "D" size alkaline batteries into the battery compartment by matching the (+) and (-) symbols. (Figure 1)
- NOTE: The low battery indicator illuminates when the batteries need to be replaced.
3. Replace the battery cover and insert and tighten the screws.



(Figure 1)

Attaching Baby's Unit to Crib:

REQUIRED:

- Baby's Unit (transmitter)
- Crib Clamp Assembly

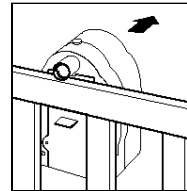
1. Set the Baby's unit to setting "A". If you experience static or noise interference, switch both units to setting "B". Power On Indicator should be illuminated.
2. Place Baby's Unit in desired location on crib slats with Baby Looney Tunes characters facing forward. Screw shaft should be resting on the crib rail. (Figure 2) (Do not translate text in red)
3. Holding Baby's Unit in place, insert crib clamp assembly into shaft (Figure 3)
4. Turn knob clockwise to tighten until secure. (Figure 3)



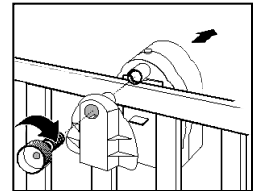
(Figure 2)



(Figure 3)



(Figure 2)



(Figure 3)

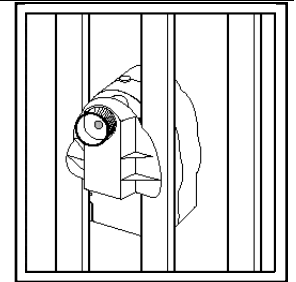
Using the Crib Light

Your Baby Looney Tunes Baby's Unit (transmitter) includes a crib light feature that is activated by the sounds of your baby and can also be activated manually.

1. Slide voice activation sensitivity switch to the desired sensitivity setting. Set to high sensitivity when you want the crib light activated by quieter sounds or low sensitivity when you want the crib light activated by louder sounds.

NOTE: The crib light will automatically shut off after five minutes.

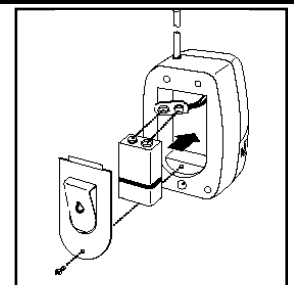
2. To activate the crib light manually, press the manual crib light button. (Figure 4)
3. To shut off the crib light manually, press the manual crib light button. (Figure 4)



(Figure 4)

Installing the batteries in Parent's Unit (Receiver):

1. Remove screw from battery cover on Parent's Unit and remove cover.
 2. Insert a 9-volt battery into the battery compartment by snapping the battery contacts onto the corresponding connectors on the battery clip in the unit. (Figure 5)
- NOTE: The low battery indicator illuminates when the batteries need to be replaced.
3. Replace the battery cover and insert and tighten the screw.



(Figure 5)

Adjusting the Channels

1. Place the Parent's Unit at least 10 feet from the Baby's Unit.
 2. Plug the round end of the adapter into the Parent's Unit, then plug the adapter into an electrical outlet.
 3. Set the Parent's Unit to setting "A". If you experience static or noise interference, switch both units to setting "B".
- NOTE: Confirm the Parent's Unit and Baby's Unit are set to the same setting (A and A or B and B).

4. Adjust the volume so you can hear your baby at all times.

NOTE: The Parent's Unit may be mounted to a wall by using a screw (not included) to attach the unit using the keyhole located on the back of the unit.

The A/C Adapters should be used whenever possible to increase the life of the batteries. However, if the Baby's Unit is mounted to the crib the A/C Adapter cannot be used.

Both units will automatically convert to A/C operation when used with the A/C Adapters. It is not necessary to remove batteries during A/C operation. Both units will automatically switch back to battery power when disconnected from the adapter.

NOTE: If you experience a power failure, the Parent's Unit (Receiver) and Baby's unit (transmitter) will not automatically switch to battery power. You must disconnect the A/C Adapter from the Parent's Unit and Baby's Unit (if not mounted to the crib).

Operating Tips

- Make sure that both units are on the same channel.
Even though you may hear your baby's sounds, proper use of this system requires that both units must be on the same channel. If the units are on different channels, the signals from the Baby's Unit may still be strong enough to be picked up by the Parent's Unit, but there will be a lot of static.
- When unit is not in use, remove AC Adapter and be sure the power dial is "Off".
When you are not using the adapter, remove it from the unit and store it in a safe, dry place until you need it again. If the AC Adapter is plugged into the unit but not being used in an electrical outlet, the adapter will prevent the battery operation of the unit.
- Use your receiver's AC Adapter when you will be in the same location for most of the day.
Use of the adapter provides maximum power to the unit and provides additional antenna length.
- When using the AC Adapter with household electricity, make sure the outlet has power.
Some electrical outlets are powered through a wall switch in the room. If the Baby's Unit is plugged in and turned "On", the power indicator light should be lit. If it is not, try turning the wall switch in the room "On".

Checklist for Problem Solving

PROBLEM	POSSIBLE CAUSE	SOLUTION
Power indicator light not working	Power is not getting to the unit	Make sure wall outlet is working. May possibly need to be turned on by a switch.
Static or interference in the signal transmission	Baby's and Parent's Units may be set on different channels	Make sure both units are on the same channel (A or B)
	Appliances with loud fans near units may be blocking transmission	Turn off the appliances that may be causing interference
	Unit may be under fluorescent lights	Reduce the distance between the two units or turn off lights
	Local interference from electrical or radio frequency appliance near your location	Switch channel setting on both Parent's and Baby's Units
Parent's Unit is making loud noises	Units are too close together	Parent's Unit needs to be at least 10 feet (3meters) away from the Baby's Unit
Parent's Unit is picking up noises from outside your home	Neighbors may have a baby monitor or cordless phone	Change both units to the alternate channel (A or B)
Weak sound coming from unit	Batteries may be weak	Check batteries, replace if necessary
		Move the units closer to each other
Crib light does activate or activates too much	Units may be too far away from each other Sensitivity may need to be adjusted	Adjust sensitivity switch

IF YOU ARE STILL HAVING PROBLEMS, PLEASE CALL TOLL FREE FOR HELP! (800) 723-3065.

ONE (1) YEAR LIMITED WARRANTY

Safety 1st, Inc. warrants to the original owner of this product that the Nursery Monitor is free from defects in materials and workmanship for a period of one (1) year from the date of the original purchase. If this monitor fails to function when used as directed under normal conditions, within the one (1) year period, Safety 1st will either repair or replace the product at our option, free of charge, when it is returned complete and in its original packaging, prepaid postage, and insured to Safety 1st Consumer Relations Department, 210 Boylston Street, Chestnut Hill, MA 02467. Product must be accompanied by a proof of purchase, either a bill of sale, receipted invoice, or other proof that the Monitor is within the warranty period. Safety 1st will bear the cost of repairing or replacing the product and shipping it back to you.

This warranty does not apply to a Nursery Monitor that has been damaged as a result of improper maintenance, accidents, improper voltage supply or other misuse. The warranty is also void if owner repairs or modifies the product in any way. Safety 1st is not liable for any incidental or consequential damages with regard to this product. The warranty also excludes any liability other than what is stated above. No other warranties are given.

LEGAL RIGHTS VARY FROM STATE TO STATE. SOME STATES DO NOT ALLOW THE EXCLUSION OR LIMITATION OF INCIDENTAL OR CONSEQUENTIAL DAMAGES, SO THE ABOVE LIMITATIONS MAY NOT APPLY TO YOU.

IMPORTANT NOTE: ONLY USE THE ADAPTERS SUPPLIED FOR THIS NURSERY MONITOR.
USE OF OTHER ADAPTERS WILL VOID THIS WARRANTY.

IMPORTANT!

Please do not return this product to the store!
Your questions and comments are important to us!

Thank you for purchasing this quality product from Safety 1st. We are confident you will be pleased with its many features and performance. If you are having any problems assembling, installing, or using this product, please call us. We will be very happy to answer any questions that you may have. Many times there is a simple solution to any problem that may occur. Talking to us directly will be convenient and save you time.

Call our Consumer Relations Department toll-free at (800) 723-3065
9:00 am to 5:00 pm (EST) Monday - Friday.
We will gladly answer any and all of your questions about this product.