

**FCC – Test Report**

Date: 2009-04-07

No. 51978-2

Page 1 of 13

**LABORATORY - REPORT**

**APPLICANT:** DOREL JUVENILE GROUP  
**ADDRESS:** 2525 State Street, Columbus  
In 47201  
United States

**DATE OF SAMPLE RECEIVED:** 2009-03-24

**DATE OF TESTING:** 2009-03-31 to 2009-04-07

**DESCRIPTION OF SAMPLE:**

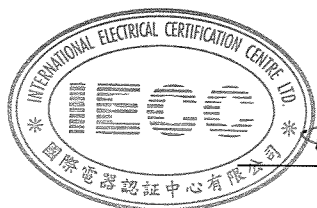
Product: Baby Monitor  
Brand name: Safety 1st Crystal Clear Monitor  
Model number: 49379 / 49377 / 08026 / 49230  
Product class: Low Power Communication Device - Receiver  
FCC ID number: MNJ49379R  
Rating: AC/DC Adaptor – HA28UF-0902, Input : AC120V, 60Hz 3.9W;  
Output : DC9V 200mA or DC9V (6F22 size battery x 1)

**CONDITION OF TEST SAMPLE:** The received sample was under good condition.

**INVESTIGATIONS REQUESTED:** Measurements to the relevant clauses of F.C.C. Rules and Regulations Part 15 Subpart B – 'Unintentional Radiators'.

**RESULTS:** See the attached sheets.

**CONCLUSIONS** From the measurement data obtained, the tested sample was considered to have **COMPLIED** with the requirements for the relevant clauses of Federal Communications Commission Rules as specified above.



Stephen C.N. Wong  
Technical Manager

# FCC – Test Report

No. 51978-2

Date: 2009-04-07

Page 2 of 13

## TABLE OF CONTENTS

1. Laboratory Report Cover
2. Table of Contents
3. Test Location and Summary of Test Results
4. Test Equipment List
5. Radiated Emission Test Setup
6. Conducted Emission Test Setup
7. Test Procedure
8. Test Results
- 9-12. Measurement Data
13. Photo of sample

# FCC – Test Report

## No. 51978-2

Date: 2009-04-07

Page 3 of 13

## Test Location

International Electrical Certification Centre Ltd.  
Unit 602-605, 31 Lok Yip Road, On Lok Tsuen, Fanling, N.T., Hong Kong  
Tel : +852 23052570  
Fax : +852 27564480  
Email : info@iecc.com.hk

## Summary of Test Results

### Radiated Emission:

**Test result:** O.K.  
**Test data:** See attached data sheet

### Conducted Emission:

**Test result:** O.K.  
**Test data:** See attached data sheet

**FCC – Test Report**Date: 2009-04-07

No. 51978-2

Page 4 of 13

**TEST EQUIPMENT LIST**

Equipment	Manufacturer	Model	Serial No.	Last Calibration Date	Next Calibration Date
Test Receiver	Rohde & Schwarz	ESCS 30	100388	26/8/2008	25/8/2009
Test Receiver	Rohde & Schwarz	ESHS 30	839667/002	07/01/2009	06/01/2010
Artificial Mains Network (LISN)	Schwarzbeck	NSLK 8127	8127312	2/12/2008	1/12/2009
Antenna	Schaffner	CBL6111C	2791	22/07/2008	21/07/2010
Antenna Mast System	Schwarzbeck	AM9104	--	--	--
Turntable with Controller	Drehtisch	DT312	--	--	--
Spectrum Analyzer with Q. Peak	Advantest	R3132	140101852	03/06/2008	02/06/2009

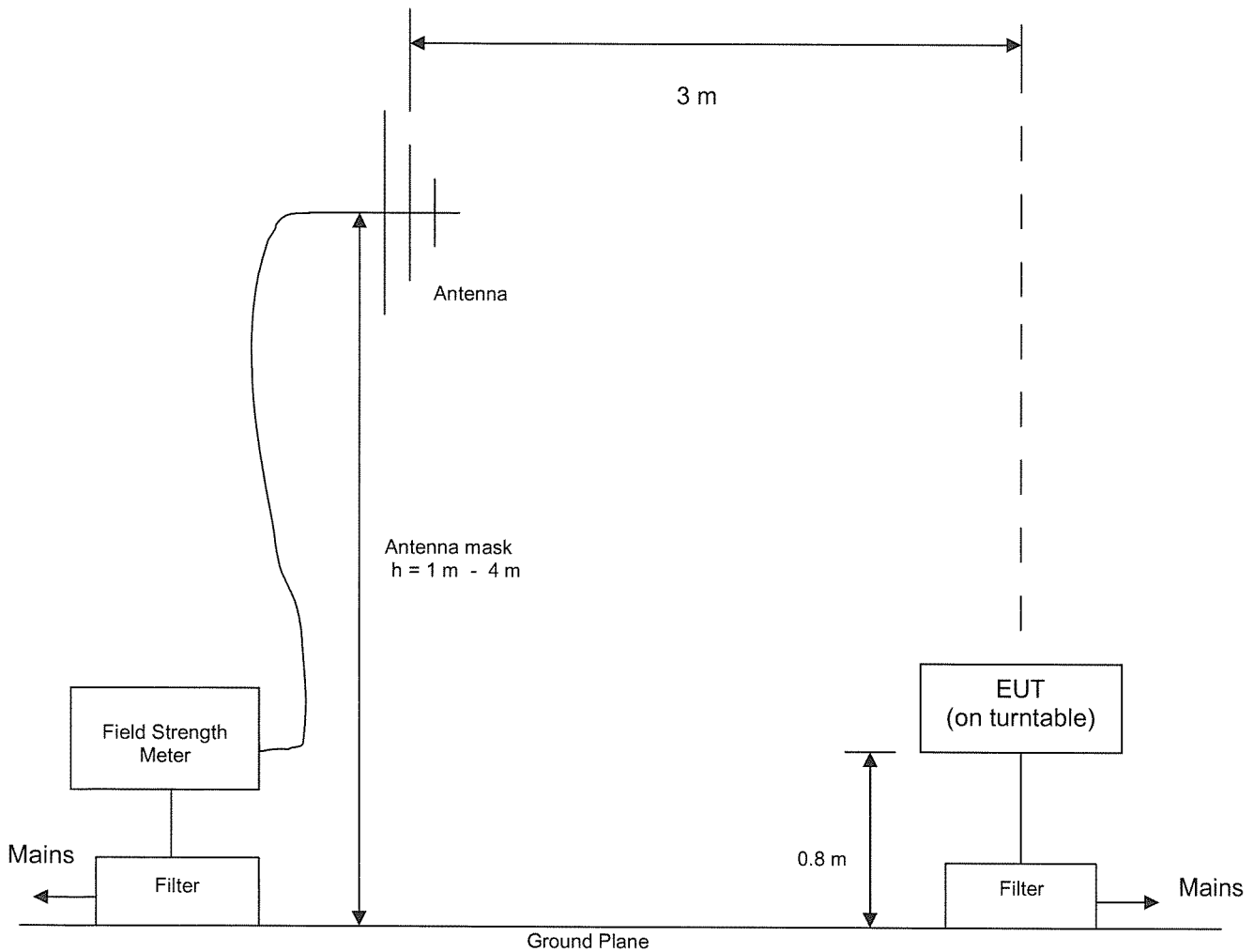
# FCC – Test Report

No. 51978-2

Date: 2009-04-07

Page 5 of 13

## Radiated Emission Test Setup (3 m distance) (> 30MHz)



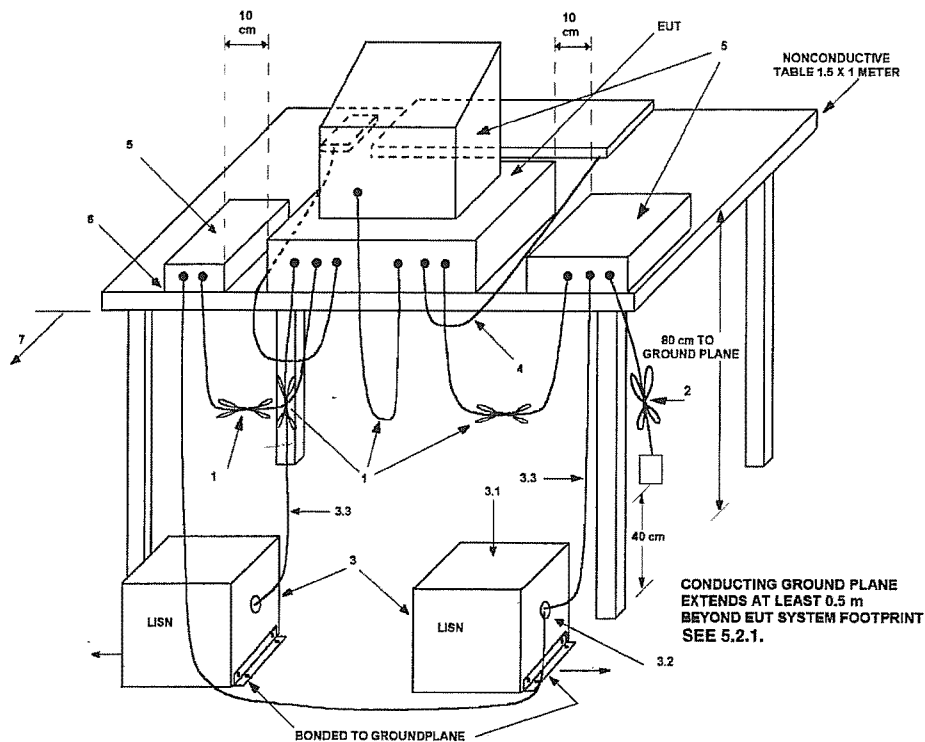
## FCC – Test Report

Date: 2009-04-07

No. 51978-2

Page 6 of 13

## Conducted Emission Test Setup



## LEGEND:

- 1) Interconnecting cables that hang closer than 40 cm to the groundplane shall be folded back and forth in the center forming a bundle 30 to 40 cm long (see 6.1.4 and 11.2.4).
- 2) I/O cables that are not connected to a peripheral shall be bundled in the center. The end of the cable may be terminated, if required, using the correct terminating impedance. The overall length shall not exceed 1 m (see 6.1.4).
- 3) EUT connected to one LISN. Unused LISN measuring port connectors shall be terminated in 50  $\Omega$ . LISN can be placed on top of, or immediately beneath, reference groundplane (see 5.2.3 and 7.2.1).
  - 3.1) All other equipment powered from additional LISN(s).
  - 3.2) Multiple outlet strip can be used for multiple power cords of non-EUT equipment.
  - 3.3) LISN at least 80 cm from nearest part of EUT chassis.
- 4) Cables of hand-operated devices, such as keyboards, mice, etc., shall be placed as for normal use (See 6.2.1.3 and 11.2.4).
- 5) Non-EUT components of EUT system being tested (see also Figure 13).
- 6) Rear of EUT, including peripherals, shall all be aligned and flush with rear of tabletop (see 6.2.1.1 and 6.2.1.2).
- 7) Rear of tabletop shall be 40 cm removed from a vertical conducting plane that is bonded to the groundplane (see 5.2.2 for options).

## FCC – Test Report

Date: 2009-04-07

No. 51978-2

Page 7 of 13

# Test Procedure

### Radiated Emission :

The EUT was tested according to ANSI 63.4-2003 for the requirements of FCC Part 15 Subpart B Section 15.109.

During the test, the sample was placed on a turn table and operated with supply at rated AC voltage (i.e AC120V 60Hz) to the AC/DC adaptor. The table is 0.8 meter above the reference ground plane on the Open Aera Test Site and can rotate 360 degrees to determine the position of the maximum emission level. A broad-band antenna for the frequency range 30 - 1000 MHz, connected with 10 meters coaxial cable to the test receiver was used for measurement. The antenna is capable of measuring both horizontal and vertical polarizations. The antenna was raised from 1 to 4 meters to find out the maximum emission level from the EUT.

During the test, the transmitter unit was turned on and used to supply a signal to the test sample (receiver) to stabilize the local oscillator of the test sample.

An initial pre-scan was performed to find out the maximum emission level of the sample placed at 3 orthogonal planes. Final measurement (30 MHz –1000 MHz) was then performed to record the data for the emissions under worst-case condition for combination of the antenna orientation / height and turn table position.

Note : The Open Aera Test Site located at IECC was placed on file with the FCC Pursuant to Section 2.948 of the FCC Rules (FCC Registration No. : 97774).

### Conducted Emission :

The EUT was tested according to ANSI 63.4-2003 for the requirements of FCC Part 15 Subpart B Section 15.107.

During the test, the sample was placed on a wooden table and operated under different modes with supply at rated AC voltage (i.e AC120V 60Hz) via the LISN to the AC/DC adaptor. The table is 0.8 meter above the floor. The LISN was connected to the test receiver for conducted emission measurement (150kHz – 30MHz).

During the test, the transmitter unit was turned on and used to supply a signal to the test sample (receiver) to stabilize the local oscillator of the test sample.

# FCC – Test Report

No. 51978-2

Date: 2009-04-07

Page 8 of 13

## Test Results

### Radiated Emission :

Test Requirement: FCC Part 15 Subpart B Section 15.109

Test Method: ANSI C63.4 : 2003

Deviations from Standard Test Method: Nil

Frequency Range: 30MHz – 1000MHz

Measurement Distance: 3 m

Detector: Quasi-Peak

Refer to page 9-10 for measurement data.

### Conducted Emission :

Test Requirement: FCC Part 15 Subpart B Section 15.107

Test Method: ANSI C63.4 : 2003

Deviations from Standard Test Method: Nil

Frequency Range: 150kHz – 30MHz

Detector: Quasi-Peak / Average

Refer to page 11 - 12 for measurement data.



# Interference Radiation

Date : 2009-04-07

Measurement of Radiated Emissions

Page 9 of 13

Acc: FCC Part 15 Subpart B (15.109 Class B)

<b>IECC Ref:</b>	51978-2	<b>Test Equipment</b>
<b>Model:</b>	49379	<b>Receiver:</b> Rohde & Schwarz ESCS 30
<b>Applicant:</b>	DOREL JUVENILE GROUP	<b>Antenna:</b> Schaffner CBL61111C
<b>Ser.Nr.:</b>	--	
<b>Set under test:</b>	Baby Monitor	
<b>Connected sets:</b>	-	
<b>Operating mode:</b>	Operated with reference audio signal via transmitter	

Channel I - Operation frequency : 49.85MHz

Frequency (MHz)	Horz. Reading dB(μV)	Vert. Reading dB(μV)	Corr. Factor (dB)	Horiz. Test Result dB(μV/m)	Vert. Test Result dB(μV/m)	Limit dB(μV/m)
30	< 16	< 16	19.1	< 35.1	< 35.1	40.0
69.9	< 16	18	7.0	< 23.0	25.0	40.0
129.9	< 16	18	11.1	< 27.1	29.1	43.5
150	< 16	< 16	11.5	< 27.5	< 27.5	43.5
300	< 16	< 16	14.2	< 30.2	< 30.2	46.0
500	< 16	< 16	18.9	< 34.9	< 34.9	46.0
1000	< 16	< 16	26.2	< 42.2	< 42.2	54.0

- Note : 1. All the recorded readings are in quasi-peak values.  
 2. The above results were the worst case results with the sample positioned in all 3 axis during the test.  
 The worst case data were recorded with the antenna of the sample pointing vertical for vertical measurement and pointing horizontal for horizontal measurement.

Operator : KT



# Interference Radiation

Date : 2009-04-07

Measurement of Radiated Emissions  
Acc: FCC Part 15 Subpart B (15.109 Class B)

Page 10 of 13

<b>IECC Ref:</b>	<u>51978-2</u>	Test Equipment
<b>Model:</b>	<u>49379</u>	Receiver: Rohde & Schwarz ESCS 30
<b>Applicant:</b>	<u>DOREL JUVENILE GROUP</u>	Antenna: Schaffner CBL61111C
<b>Ser.Nr.:</b>	<u>--</u>	
<b>Set under test:</b>	<u>Baby Monitor</u>	
<b>Connected sets:</b>	<u>-</u>	
<b>Operating mode:</b>	<u>Operated with reference audio signal via transmitter</u>	

Channel II - Operation frequency : 49.87MHz

Frequency (MHz)	Horz. Reading dB(µV)	Vert. Reading dB(µV)	Corr. Factor (dB)	Horiz. Test Result dB(µV/m)	Vert. Test Result dB(µV/m)	Limit dB(µV/m)
30	< 16	< 16	19.1	< 35.1	< 35.1	40.0
69.9	< 16	18	7.0	< 23.0	25.0	40.0
129.9	< 16	18	11.1	< 27.1	29.1	43.5
150	< 16	< 16	11.5	< 27.5	< 27.5	43.5
300	< 16	< 16	14.2	< 30.2	< 30.2	46.0
500	< 16	< 16	18.9	< 34.9	< 34.9	46.0
1000	< 16	< 16	26.2	< 42.2	< 42.2	54.0

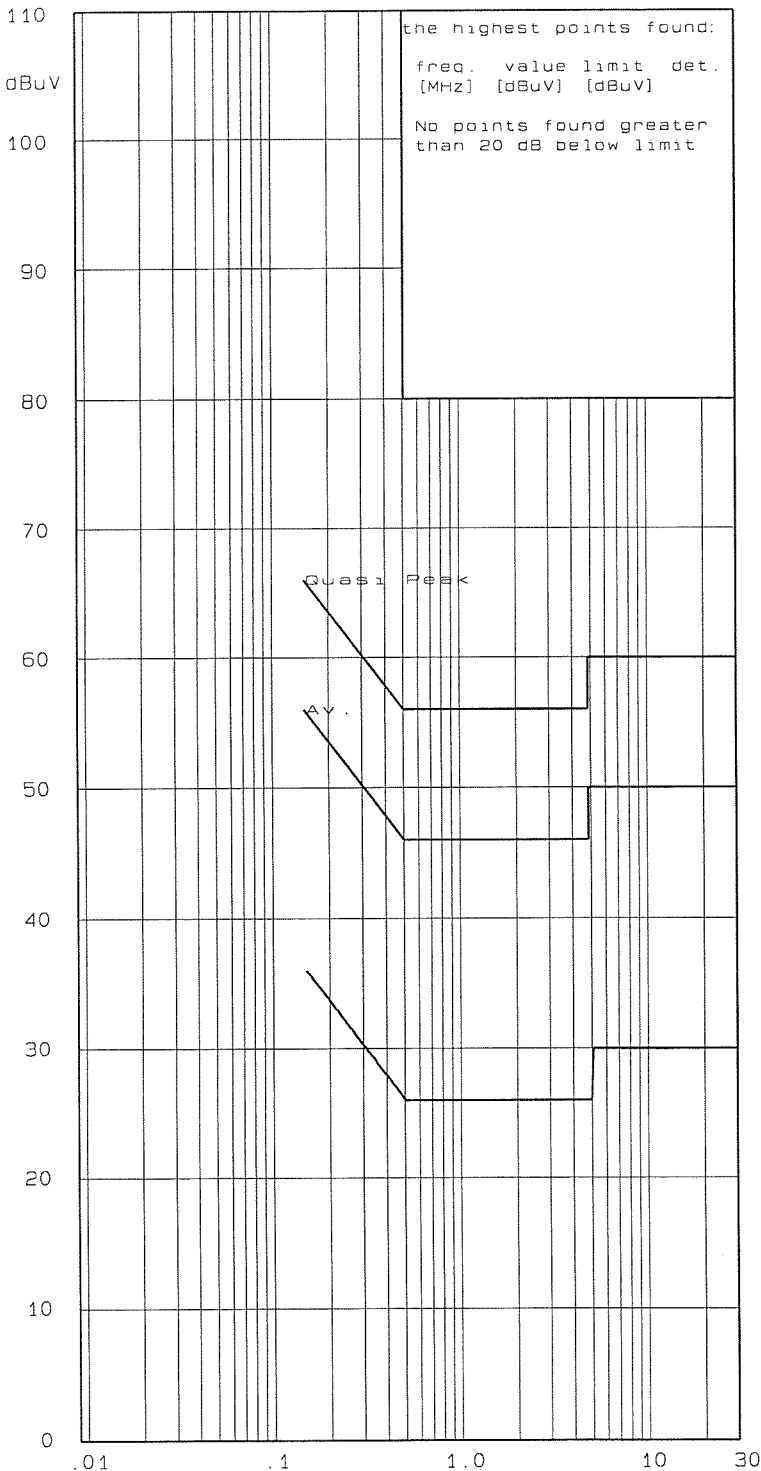
- Note : 1. All the recorded readings are in quasi-peak values.  
2. The above results were the worst case results with the sample positioned in all 3 axis during the test.  
The worst case data were recorded with the antenna of the sample pointing vertical for vertical measurement and pointing horizontal for horizontal measurement.

Operator : KT



# U 5/6

Interference voltage 150kHz – 30MHz  
Acc. FCC Part 15 Subpart B Section 15.107



Model: 49379

Spl./Ser.No.: 01/--

Client : DOREL

Product: BABY MONITOR

IECC-No.: 51978 - 2

Date: 31 Mar 2009

Test equipment:

Rohde & Schwarz ESHS30

Schwarzbeck NSLK8127

Connected sets:

--

Operating mode:

OPERATE W/ REFERENCE AUDIO SIGNAL  
(L)

TEST AT 120VAC  
RX UNIT

RFI suppression parts:

--

\* two dB safety margin for  
type approval necessary

Operator: KT

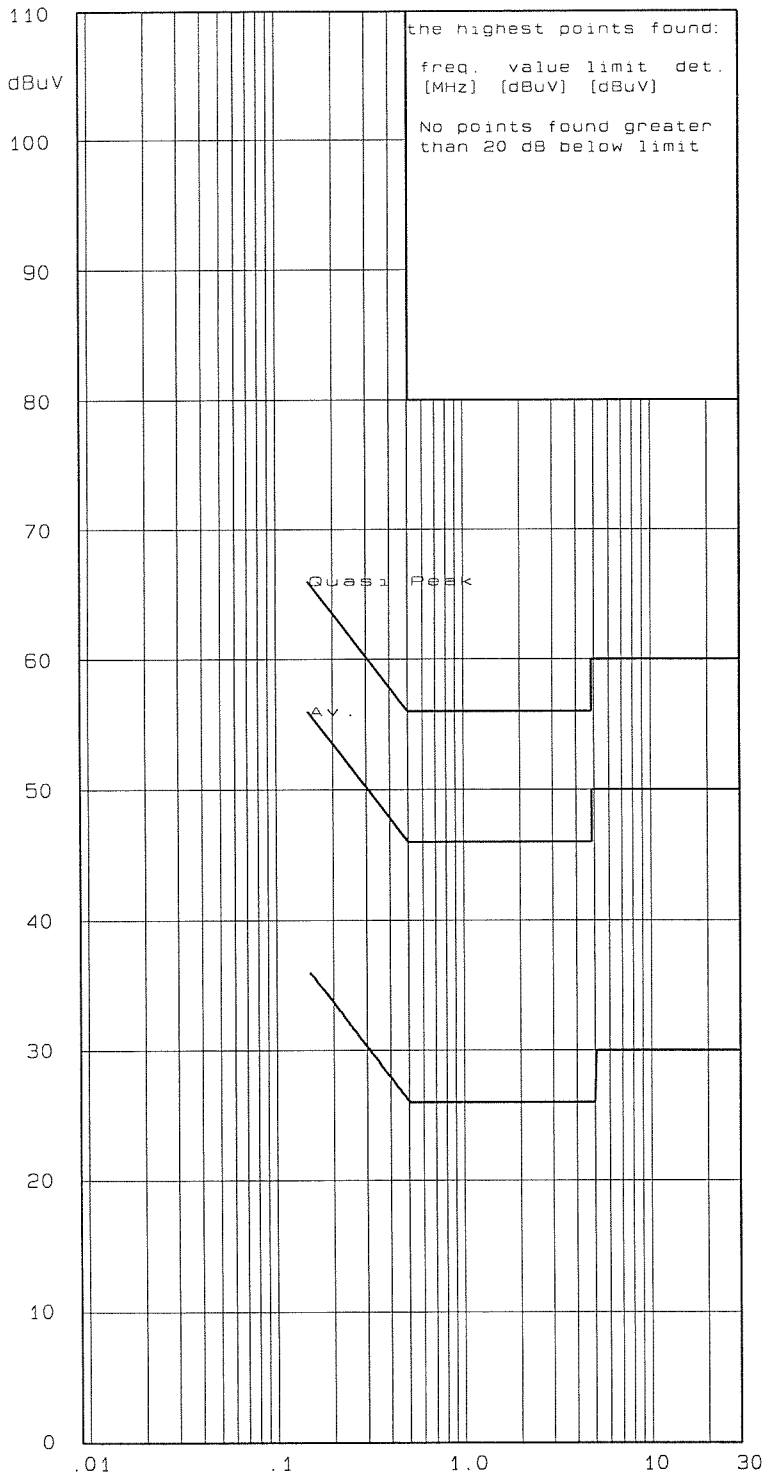
Result: OK

IECC



# U 5/6

Interference voltage 150kHz – 30MHz  
Acc. FCC Part 15 Subpart B Section 15.107



Model: 49379

Sp1./Ser.No.: 01/--

Client : DOREL

Product: BABY MONITOR

IECC-No.: 51978-2

Date: 31 Mar 2009

Test equipment:

Rohde & Schwarz ESHS30

Schwarzbeck NSLK8127

Connected sets:

--

Operating mode:

OPERATE W/ REFERENCE AUDIO SIGNAL  
(N)  
TEST AT 120VAC  
RX UNIT

RFI suppression parts:

--

\* two dB safety margin for  
type approval necessary

Operator: KT

Result: OK

IECC

**FCC – Test Report**

No. 51978-2

Date: 2009-04-07

Page 13 of 13

**Photo of Sample**