

**Safety 1<sup>st</sup>**

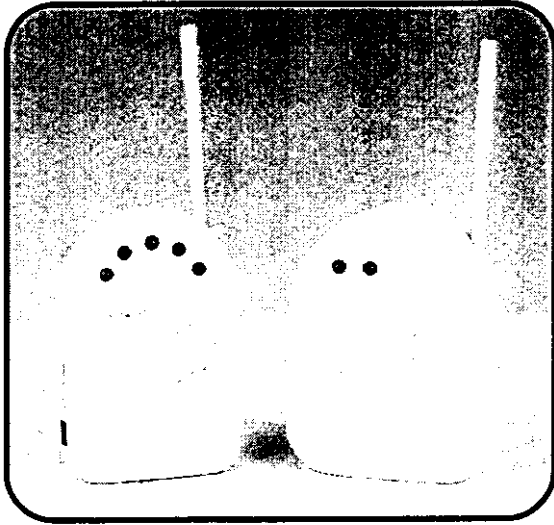
Attachment C

FCC ID: M2726T  
No. 49260

900MHz

# Sensitive Sound Nursery Monitor

## Owner's Guide



Thank you for purchasing the 900MHz Sensitive Sound Nursery Monitor from Safety 1<sup>st</sup>. This state-of-the-art system utilizes the new 900 MHz transmission frequency! 900MHz means... superior clarity and precise reproduction of sound! This frequency has only recently become available for public use, now allowing you to hear your baby more clearly without most of the annoying interference from other monitors or cordless phones. The Monitor features LED visual sound lights that allow you to "see" and hear your baby's sounds. As you'll soon notice, these features are only a few of the highlights of this innovative new nursery monitoring system.

The Baby's Unit (Transmitter) features continuous transmission that clearly sends your baby's sounds to the Parent's Unit. This gives you the ability to continue with your daily activities throughout the house or yard while monitoring your baby.

The Parent's Unit (receiver) offers greater selectivity and remains with you wherever you go to accurately reproduce sounds that are transmitted by the Baby's Unit. It has been specially designed to clip easily onto your belt or clothing or stand upright on your nightstand or kitchen counter. Now, not only will you be able to more clearly hear your baby's sounds, but with the LED visual sound lights, you'll be able to "see" them as well. This feature provides an additional comfort level for those times when you're prevented from hearing baby's sound transmission.

Both the Parent's and Baby's Units operate on normal household current using the AC adapters enclosed. Both units can also be powered by one 9 volt battery (not included) for portability.

We are confident that you will find the 900MHz Sensitive Sound Nursery Monitor convenient and easy-to-use. To insure that you will benefit from all of the features that our monitor offers, and to make sure it is used properly, we urge you to:

**PLEASE READ ALL INSTRUCTIONS CAREFULLY BEFORE USING  
THE 900MHz SENSITIVE SOUND NURSERY MONITOR.  
KEEP THESE INSTRUCTIONS FOR YOUR REFERENCE.  
If you have any questions, please call Safety 1<sup>st</sup>  
Customer Service at (800) 723-3065.**

### CAUTION:

- THE 900MHz SENSITIVE SOUND NURSERY MONITOR IS NOT INTENDED TO REPLACE RESPONSIBLE AND PROPER PARENTAL SUPERVISION.
- YOU SHOULD CHECK YOUR CHILD'S ACTIVITY AT REGULAR INTERVALS AS THIS MONITOR WILL NOT ALERT PARENTS TO THE SILENT ACTIVITIES OF A CHILD.

The carrier frequency on channel A is 905.5 MHz and the carrier frequency on channel B is 906 MHz.  
The field strength is 92 dB microvolts per meter at 3 meters.

THIS DEVICE COMPLIES WITH PART 15 OF THE FCC RULES. OPERATION IS SUBJECT TO THE FOLLOWING TWO CONDITIONS: (1) THIS DEVICE MAY NOT CAUSE HARMFUL INTERFERENCE, AND (2) THIS DEVICE MUST ACCEPT ANY INTERFERENCE RECEIVED, INCLUDING INTERFERENCE THAT MAY CAUSE UNDESIRE OPERATION.

## Safety Instructions



**CAUTION**

RISK OF ELECTRIC SHOCK  
DO NOT OPEN!



**CAUTION: TO REDUCE THE RISK OF ELECTRICAL SHOCK,  
DO NOT REMOVE COVER OR BACK.  
NO SERVICEABLE PARTS INSIDE.  
REFER TO SAFETY 1<sup>ST</sup> CUSTOMER SERVICE (800) 723-3065.  
WARNING: TO REDUCE THE RISK OF FIRE OR ELECTRICAL SHOCK,  
DO NOT EXPOSE THIS PRODUCT TO WATER OR MOISTURE.**

**READ INSTRUCTIONS:** All the safety instructions should be read before the Nursery Monitor is operated.

**RETAIN INSTRUCTIONS:** The safety instructions should be retained for future reference.

**HEED WARNINGS:** All warnings on the Nursery Monitor and operating instructions should be adhered to.

**FOLLOW INSTRUCTIONS:** All operating instructions should be followed.

**WATER AND MOISTURE:** The Nursery Monitor should not be used near water, for example, near a bath tub, wash bowl, kitchen sink, laundry tub, in a wet basement, near a swimming pool, etc.

**VENTILATION:** The Nursery Monitor should be placed so that its location or position does not interfere with proper ventilation for the unit. For example, it should NEVER be situated on a bed, sofa, rug or similar surface that may block ventilation.

**HEAT:** The Nursery Monitor should be kept away from heat sources such as radiators, heat registers, stoves or other appliances that produce heat.

**AC POWER SOURCE:** The Nursery Monitor should be connected only to the AC Adapters supplied with the unit.

**POWER CORD PROTECTION:** The power supply cord should be routed so that it is not likely to be walked on or pinched by items placed upon or against it. Pay particular attention to the cord at the plug, convenience receptacle, and at the point it exits from the AC adapters.

**CLEANING:** Use a dry cotton cloth to keep the Nursery Monitor free from dust. **DO NOT USE WATER!**

**NON-USE PERIODS:** The power cord of the Nursery Monitor should be unplugged from the outlet when unused for long periods of time. The batteries should also be removed during these periods.

**OBJECT AND LIQUID ENTRY:** Care should be taken so that objects do not fall onto the product, and liquids are not spilled into the enclosure through the openings.

**DAMAGE REQUIRING SERVICE:** The Nursery Monitor should be serviced by qualified personnel when:

- A: The power supply cord or plug has been damaged;
- B: Objects have fallen or liquid has been spilled onto the product;
- C: The Monitor has been exposed to rain;
- D: The Monitor does not appear to operate normally or exhibits a marked change in its performance;
- E: The Monitor has been dropped or the enclosure damaged.

**THE USER SHOULD NOT ATTEMPT TO SERVICE OR REPAIR THE MONITOR. ALL SERVICING SHOULD BE REFERRED TO SAFETY 1<sup>ST</sup> CUSTOMER SERVICE: (800) 723-3065.**

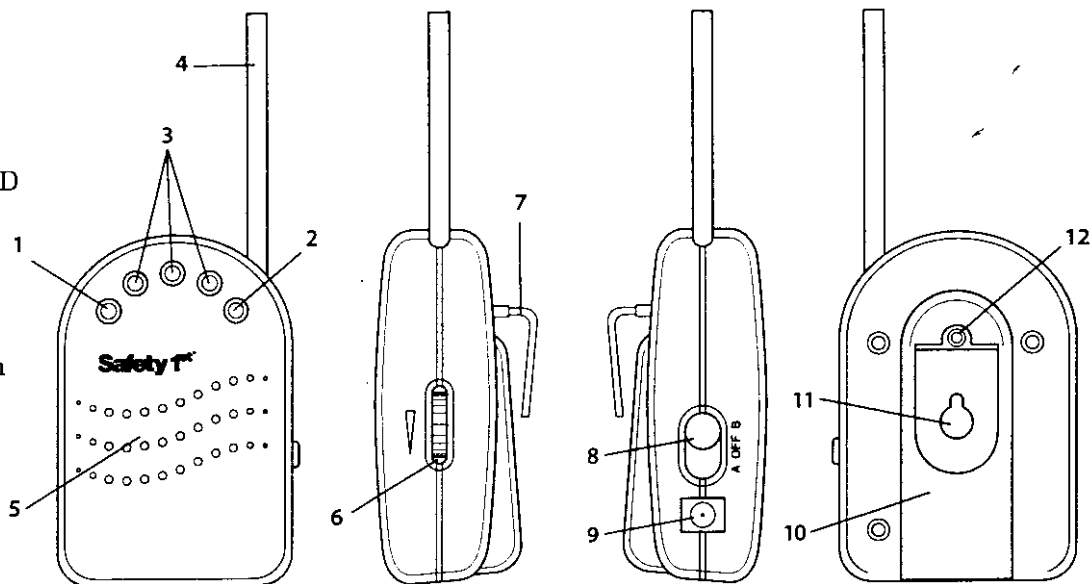
**WALL MOUNTING: THE PARENT'S UNIT MAY BE MOUNTED ON THE WALL ONLY AS DESCRIBED IN THESE INSTRUCTIONS.**

**KEEP ALL PARTS OF THIS MONITOR OUT OF REACH OF CHILDREN! DO NOT MOUNT IN OR ON CRIB!**

**CAUTION: THE 900MHZ SENSITIVE SOUND NURSERY MONITOR IS NOT INTENDED TO REPLACE PROPER ADULT SUPERVISION. YOU SHOULD CHECK YOUR CHILD'S ACTIVITY AT REGULAR INTERVALS AS THIS MONITOR WILL NOT ALERT PARENTS TO THE SILENT ACTIVITIES OF A CHILD.**

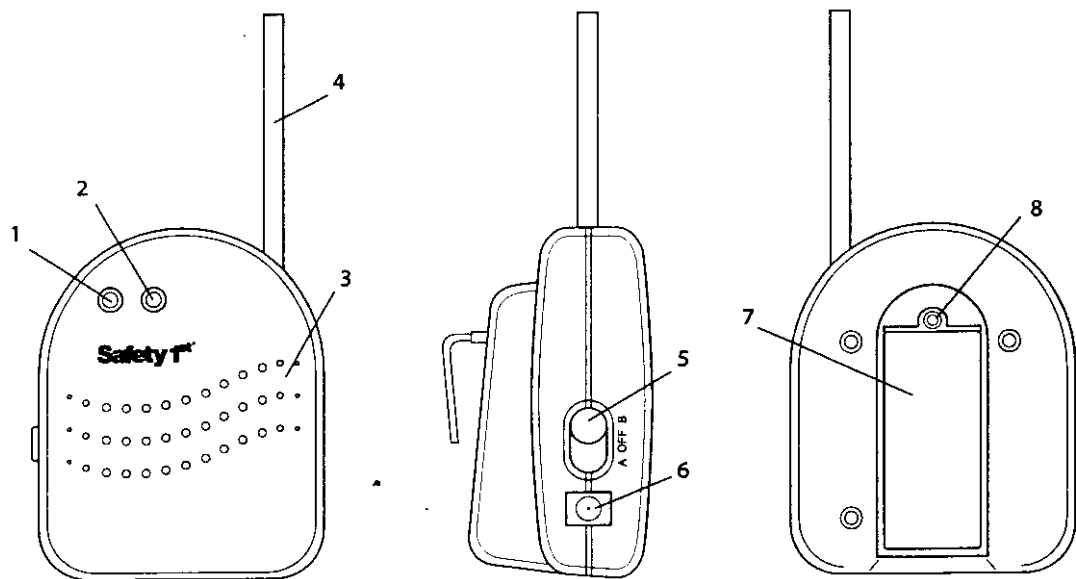
### Parent's Unit (Receiver)

1. Power Indicator LED
2. Low Battery Indicator LED
3. Visual Sound Lights
4. Antenna
5. Wide Range Speaker
6. Volume Control Dial
7. Portable Clip
8. OFF/ON Channel Switch
9. AC Power Adaptor Jack
10. Battery Compartment
11. Key Hole for Mounting
12. Battery Door Screw



### Baby's Unit (Transmitter)

1. Power Indicator LED
2. Low Battery Indicator
3. Microphone
4. Antenna
5. ON/OFF Channel Switch
6. AC Power Adaptor Jack
7. Battery Compartment
8. Battery Door Screw

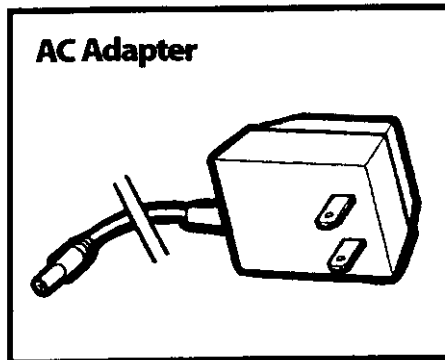


### AC ADAPTER

This AC Adapter is a low voltage power source which allows you to use your household electricity to run the Baby's and Parent's Unit when you want to conserve battery life. It connects to the AC Adapter Jack (#9) in the Parent's Unit and (#6) in the Baby's Unit, and plugs into any standard electrical outlet in your home.

**NOTE:** Do not place adapter under a window where a child might use it to step on and reach something that might be dangerous.

**CAUTION:** This Adapter was made with a specific design for the Safety 1<sup>st</sup> 900MHz Sensitive Sound Nursery Monitor. It cannot be used with any other appliance, and never use a different type of adapter with this Monitor.



## General Operation Information

### Before starting, make sure you have the following:

- One Baby's Unit (Transmitter)
- One Parent's Unit (Receiver)
- Two AC Power Adapters
- Two 9 volt batteries (not included)

**NOTE:** Throughout the instructions we will refer to a feature number listed on the "Features and Components" page that highlights the different parts of the Monitor.

### CHANNEL SELECTION

The Monitor can broadcast over two preset factory frequencies or channels (#8 on the Parent's Unit and #5 on the Baby's Unit). Use setting "A" making sure that both units are set to "A". If you experience static or noise interference, simply switch both units to channel "B".

### PROPER POSITIONING

For best results, place the Baby's Unit on a table near the crib. It should be facing the baby's head as close to the crib as possible, but out of baby's reach. The Parent's unit should be placed at least 10 feet away from the Baby's Unit. The Parent's Unit can be mounted to the wall by using a screw (not included) to attach the unit using the key hole located on the back.

**DO NOT PLACE UNIT IN CRIB OR MOUNT ON CRIB. KEEP OUT OF REACH OF CHILDREN.**

## Parent's Unit (Receiver) and Baby's Unit (Transmitter) Operation

Both the Parent's Unit and the Baby's Unit operate with a 9 Volt battery (not included). Both units will automatically convert to AC operation when used with the AC Adapter. It is not necessary to remove the battery during AC operation. Both units will automatically switch back to battery power when disconnected from the adapter.

### AC ADAPTER

The AC Adapter should be used whenever possible to save the batteries. This is done by inserting the AC adapter into the AC Adapter Jack on the Parent's Unit (#9) and the Baby's Unit (#6). Then simply plug the adapter into a nearby standard household outlet.

### BATTERY USE

To place batteries into either unit, remove the screw (#12 on the Parent's Unit and #8 on the Baby's Unit) from the Battery Compartment. Rotate Battery Compartment Cover out and away from the Unit. For both units, insert a 9 volt Alkaline battery by snapping the battery contacts into the corresponding connectors on the battery clip in the unit. Make sure that it is secure. Replace the Compartment Cover and tighten screw. **To obtain maximum performance, ALWAYS use Alkaline type batteries in this monitor.**

**NOTE:** During a power failure in your house, the receiver will NOT automatically switch to battery power. You must disconnect the Adapter from the Parent's Unit and Baby's Unit.

### POWER/CHANNEL SWITCH

To activate the Parent's Unit and the Baby's Unit, turn on the power by switching the On/Off Channel Switch (#8 on the Parents Unit and #5 on the Baby's Unit) to the desired channel.

### POWER INDICATOR

The power indicator (#1 on the Parent's Unit and #1 on the Baby's Unit) is a green LED that indicates that the unit is on and functioning. Low battery power is indicated by the red LED (#2 on Parent's Unit and #2 on Baby's Unit), which signifies the batteries need to be replaced.

### VOLUME INSTRUCTIONS

Volume on the Parent's Unit can be easily adjusted to any desired listening level by rotating the Volume Dial (#6), so you can be sure to hear your baby at all times. The sounds are transmitted through the Wide Range Speaker (#5).

The Baby's Unit operates with a 9 Volt battery (not included). Both units will automatically convert to AC operation when used with the AC Adapter. It is not necessary to remove the battery during AC operation. Both units will automatically switch back to battery power when disconnected from the adapter.

### ANTENNA

Both units contain an antenna that requires no adjustment.

### LED SOUND LEVEL LIGHT INDICATORS

The three (3) LED's on the top of the Parent's Unit (#3) light up to display the sound level coming from your baby. These sound level indicators are preset in the factory and are not affected by the volume setting. This feature allows you to see the relative volume level of your baby's sounds. It is most effective if you are in a noisy environment and may not be able to hear the sounds clearly. The louder the sound, the more LED's will light up.

### Handy Tips for Operating Your Monitor

**Use household electricity whenever possible.** When the AC Adapter is used with your household electricity, you will find that the power is stronger and more consistent than when you rely solely on the batteries. This also depends on the construction of your house. Steel reinforced wall, for example, reduces the effective range of the monitor. Conserve the batteries so you will have power from them when you don't have easy access to AC outlets.

**Make sure that both units are on the same channel (#8 on Parent's Unit & # 5 on Baby's Unit).** Even though you may hear your baby's sounds, proper use of this system requires that both units must be on the same channel. If the units are on different channels, the signals from the Baby's Unit may still be strong enough to be picked up by the Parent's Unit, but there will be a lot of static.

**When not using the unit, remove AC Adapter and be sure the power dial is "OFF".** When you are not using the adapter, remove it from the unit and store it in a safe, dry place until you need it again. If the AC Adapter is plugged into the unit but not being used in an electrical outlet, the adapter will prevent the battery operation of the unit.

**When using the Adapter with household electricity, make sure the outlet is "ON".** Some electrical outlets are powered through a switch in the room. If the Baby's Unit is plugged in and turned "ON", the power indicator light should be lit. If it is not, try turning the light switch in the room "ON".

### Checklist for Problem Solving

PROBLEM	REASON	SOLUTION
Power indicator light not working	Power is not getting to the unit	Make sure wall outlet is working. May possibly need to be turned on by a switch.
Static or interference in the signal transmission	Baby's and Parent's Units may be on different channels	Make sure both units are on the same channel; #8 on Parent's Unit and #5 on Baby's Unit.
	Appliances with loud fans near units may be blocking transmission	Turn off the appliances that may be causing interference
	Unit may be under fluorescent lights	Reduce the distance between the two units or turn off lights
Parent's Unit is making loud noises	Local interference from electrical or radio frequency appliance near your location	Switch channel setting on both Parent's and Baby's Units
	Units are too close together	Parent's Unit needs to be at least 10 feet away from the Baby's Unit
Parent's Unit is picking up noises from outside your home	Volume dial on Parent's unit may be too high	Turn down volume on the Parent's Unit (#6)
	Neighbors may have a baby monitor or cordless phone	Change both units to the alternative channel (#8 on Parent's Unit & #5 on Baby's Unit)
Weak sound coming from unit	Batteries may be weak	Check batteries; replace if necessary
	Units may be too far away from each other	Move the units closer to each other

# **IMPORTANT!**

**Please do not return this product to the store!**

**Your questions and comments  
are important to us!**

Thank you for purchasing this quality product from Safety 1<sup>st</sup>. We are confident you will be pleased with its many features and performance. If you are having any problems assembling, installing, or using this product, please call us. We will be very happy to answer any questions that you may have. Many times there is a simple solution to any problem that may occur. Talking to us directly will be convenient and save you time.

**Call our Customer Service Department toll-free at  
(800) 723-3065  
9:00 am to 5:00 pm (EST) Monday - Friday.  
We will gladly answer any and all of your questions  
about this product.**