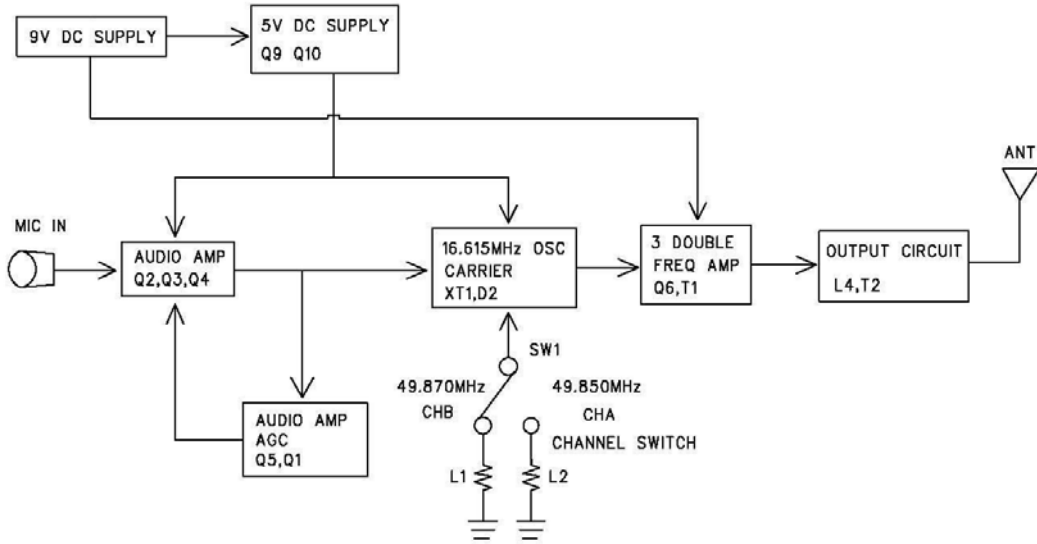


08044 TX UNIT CIRCRIT BLOCK DIAGRAM



MODEL: 08044(FCC)		DOC NAME: BLOCK DIAGRAM	
DWG NO:		FILE NAME: TX	
DOC CODE: E08		REV:	
DRN:	CHK:	APP:	SHEET: OF
DATE:	DATE:	DATE:	PAGE: OF