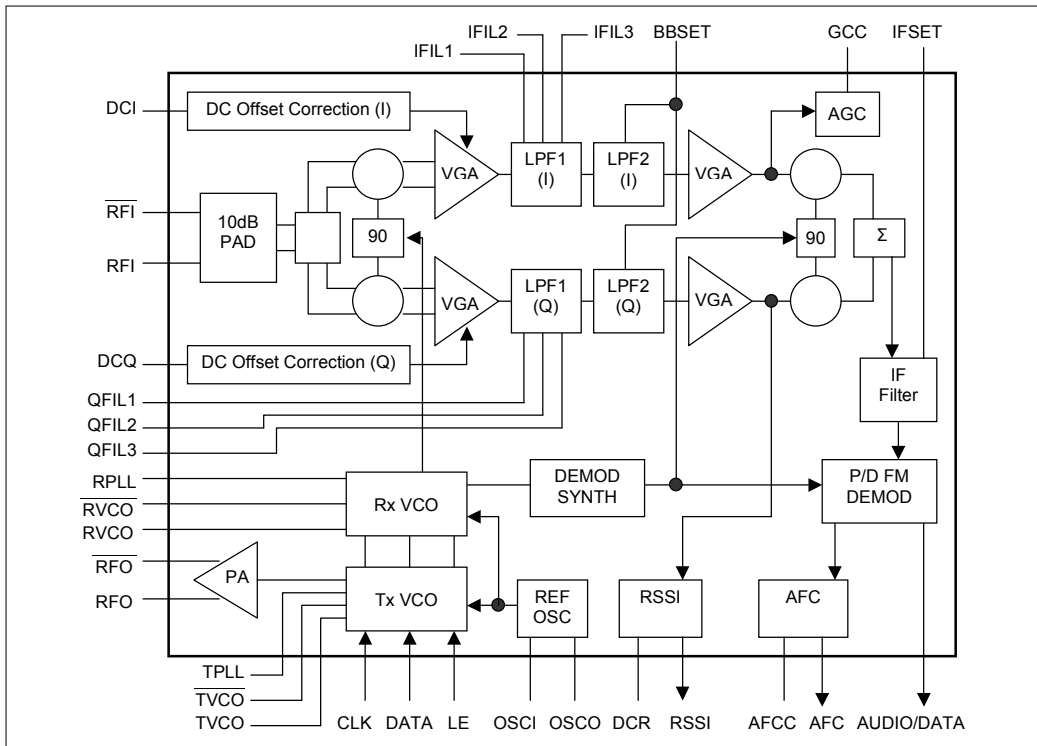
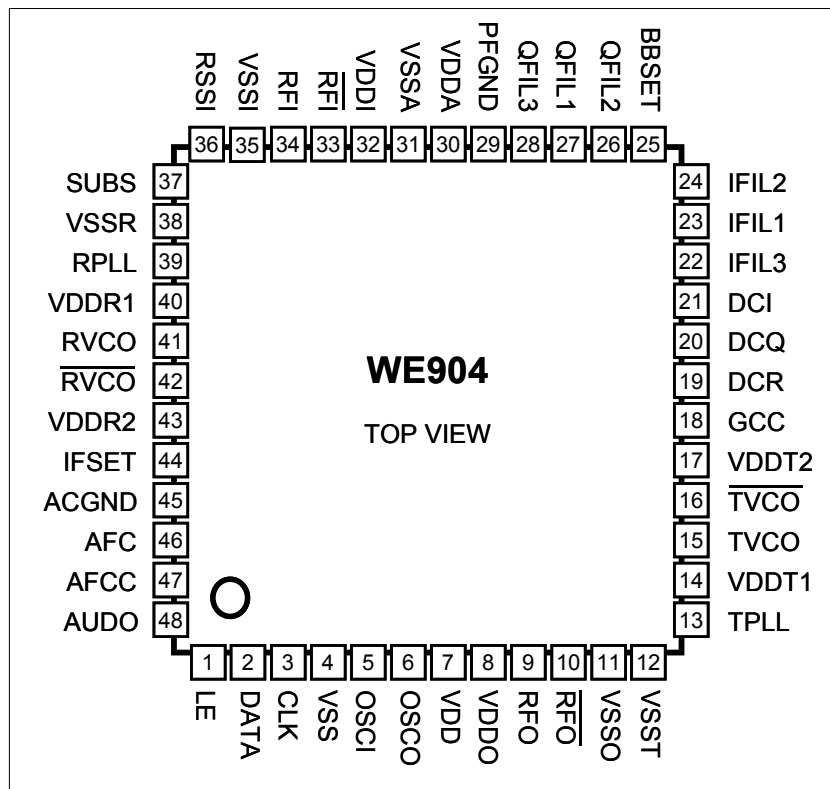
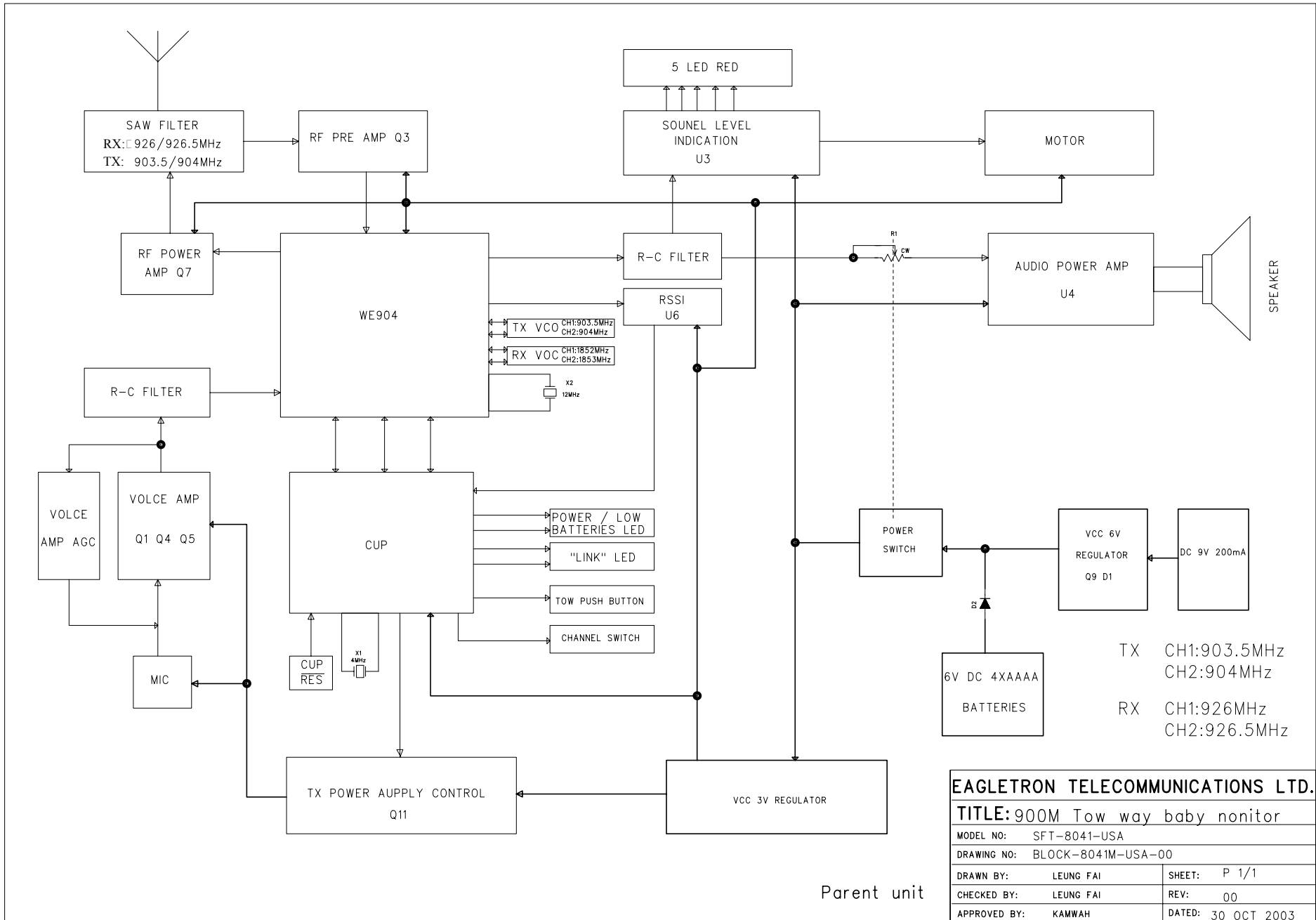


**BLOCK DIAGRAM**



**PIN CONFIGURATION**





Parent unit

<b>EAGLETRON TELECOMMUNICATIONS LTD.</b>	
<b>TITLE: 900M Tow way baby monitor</b>	
MODEL NO:	SFT-8041-USA
DRAWING NO:	BLOCK-8041M-USA-00
DRAWN BY:	LEUNG FAI
CHECKED BY:	LEUNG FAI
APPROVED BY:	KAMWAH
SHEET:	P 1/1
REV:	00
DATED:	30 OCT 2003