



***X-TRA TALK* GXT3000 Series**



GXT Series

midlandusa.com

**THIS PAGE IS
INTENTIONALLY
LEFT BLANK**

INTRODUCTION

Thank you for choosing the GXT3000 Series GMRS radio from Midland Radio Corporation. Please read through this manual thoroughly to ensure you get peak performance from your radio. You can also find additional information about the GXT3000 on our website at Midlandusa.com or may contact our Customer Service team at (816) 241-8500 from 8 AM to 4:30 PM (CT) Monday through Friday for assistance.

Features

- 50 GMRS Channels
 - ◆ 22 Standard GMRS Channels
 - ◆ 28 Preset Privacy Code Channels
- 8 GMRS Repeater Channels
- 285 Privacy Codes
 - ◆ 38 CTCSS
 - ◆ 104 DCS
 - ◆ 143 Group
- NOAA Weather Radio with Auto Scan and Alert
- Splashproof JIS4 Standard
- Flashlight
- Group and Direct Call
- 10 Selectable Call Alert Tones
- Vibrate Alert
- Whisper Talk
- SOS Siren
- HI/MED/LO TX Power Settings
- Channel Scan and Dual Watch Pro scan
- Dual Power Options
 - ◆ Rechargeable Li-ion Battery Pack, Included
 - ◆ AA Batteries (Not Included)
- Rapid USB-C Charger
- Battery Level Meter with Low battery Indicator
- Narrow and Wide band operation
- Silent Operation
- Keypad Lock
- Monitor
- Roger Beep
- Accessory Jack

**IMPORTANT NOTICE, FCC LICENSE REQUIRED FOR GMRS OPERATION
(Only Applicable for GMRS Radio Use in the United States)**

The radios operate on GMRS (General Mobile Radio Service) frequencies which require an FCC (Federal Communications Commission) license. You must be licensed prior to operating the radio. Serious penalties could result from unlicensed use of GMRS channels, in violation of FCC rules, as stipulated in the Communications Acts Sections 501 and 502 (amended).

You will be issued a call sign by the FCC which should be used for station identification when operating the radio on GMRS channels. You should also cooperate by engaging in permissible transmissions only, avoiding channel interference with other GMRS users, and being prudent with the length of your transmission time.

Apply for a license at the FCC's website <http://www.fcc.gov/wireless/universal-licensing-system>, and contact the FCC at 1-888-225-5322 if you have any questions.

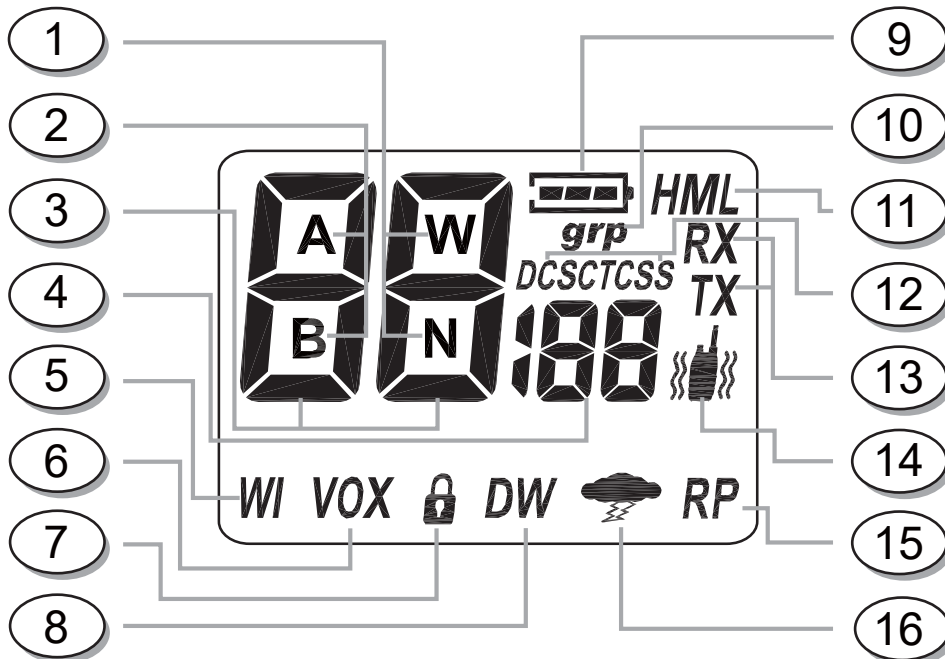
IMPORTANT NOTICE, Exposure to Radio Frequency Energy

This radio complies with IEEE and ICNIRP radio frequency (RF) energy exposure limits for General Population / Uncontrolled Environments. In order to experience RF energy exposure below these limits, transmit no more than 50% of the time and maintain a distance of at least 2.5 cm between the face and the radio while transmitting. Compliance of this radio with RF exposure limits when body-worn is verified only with the approved, original accessories (Belt Clip and headset). Do not use this device if the antenna is damaged.

This product is compliant with FCC RF Exposure requirements. Refer to the FCC website <https://apps.fcc.gov/oetcf/eas/reports/GenericSearch.cfm> and search for FCC ID: MMAGXT3000 to find more information, including SAR Values.

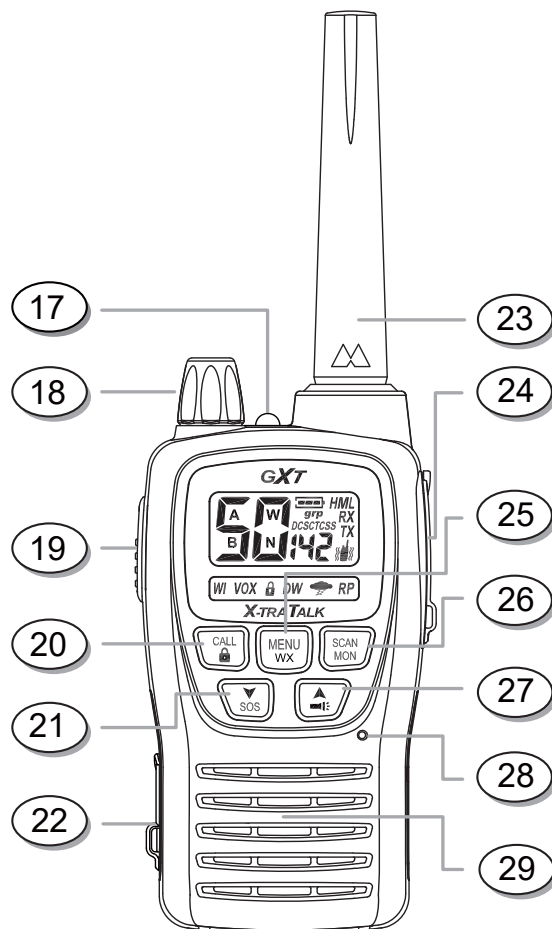
This device complies with Part 15 of the FCC Rules. Operation is subject to the following two conditions: (1) this device does not cause harmful interference, and (2) this radio must accept any interference that may cause undesired operation. To maintain compliance with FCC's RF exposure guidelines, for body-worn operation, this radio has been tested and meets the FCC RF exposure guidelines when used with Midland Radio Corp. accessories supplied or designated for this product. Use of other accessories may not ensure compliance with FCC RF exposure guidelines. (Tested with Headset Model: AVP-1)

LCD DISPLAY



1. **BAND ICON** – Indicates whether the radio is operating with Wideband (W) or Narrowband (N) Modulation.
2. **DUAL WATCH CHANNEL ICON** – Indicates whether the channel is the Primary (A) or the secondary (B) channel during Dual Watch Mode.
3. **CHANNEL NUMBER** – Changes from 1~50 on GMRS band (1~10 on WX band).
4. **CODE** – Indicates Privacy Code or Group Code selected by user (oF~38 / oF~104 / 0~142). It can appear only with Ch 1~22, Repeater 15~22, or Group Mode.
5. **WHISPER ICON** – Indicates when the Whisper feature is on.
6. **VOX ICON** – Indicates when VOX mode is active.
7. **KEY LOCK ICON** – Indicates KEY LOCK mode is on.
8. **DUAL WATCH ICON** – Indicates when the Dual Watch mode is on.
9. **BATTERY METER** – Indicates the battery level.
10. **GROUP MODE ICON** – Indicates when the Group Mode is on.
11. **TRANSMIT POWER LEVEL ICON** – Indicates TX Power setting High, Medium, or Low (H/M/L).
12. **PRIVACY CODE ICON** – Indicates Privacy Code setting (CTCSS/ DCS).
13. **TRANSMIT (TX) / RECEIVE (RX) ICON** – Indicates radio is transmitting (TX) a signal, or radio is receiving (RX) a transmission.
14. **VIBRATE ALERT ICON** – Indicates when the Vibrate-Alert feature is on.
15. **REPEATER ICON** – Indicates when the current channel is a Repeater channel.
16. **NOAA WEATHER (WX) BAND ICON** – Indicates when the radio is in Weather Band mode or Weather Alert is enabled in GMRS mode.

CONTROLS




17. FLASHLIGHT

18. POWER/VOLUME KNOB – Turn clockwise to turn the power on and increase the volume level. Turn counter-clockwise to decrease the volume level and turn the power off.

19. PTT Button – Press and hold to transmit voice communication.

20. CALL / LOCK Button – Press to send a CALL Alert signal. Press and hold to turn KEY LOCK on/off.

21. DOWN / SOS SIREN  Button – Use to scroll through Menu options. Press and hold for 3 seconds to activate the SOS Siren.

22. USB TYPE C CHARGING JACK

23. ANTENNA

24. EXTERNAL SPEAKER / MIC JACK

25. MENU/WX SCAN Button – Press to access Menu mode. Press and hold for 5 seconds to activate the NOAA Weather Scan function.

26. MONITOR / SCAN Button – Press to enter SCAN mode. Press and hold to enter or exit MONITOR mode.

27. UP / FLASHLIGHT  Button – Use to scroll through Menu options. Press and hold for 3 seconds to turn the Flashlight on/off.

28. MIC – Built-in microphone.

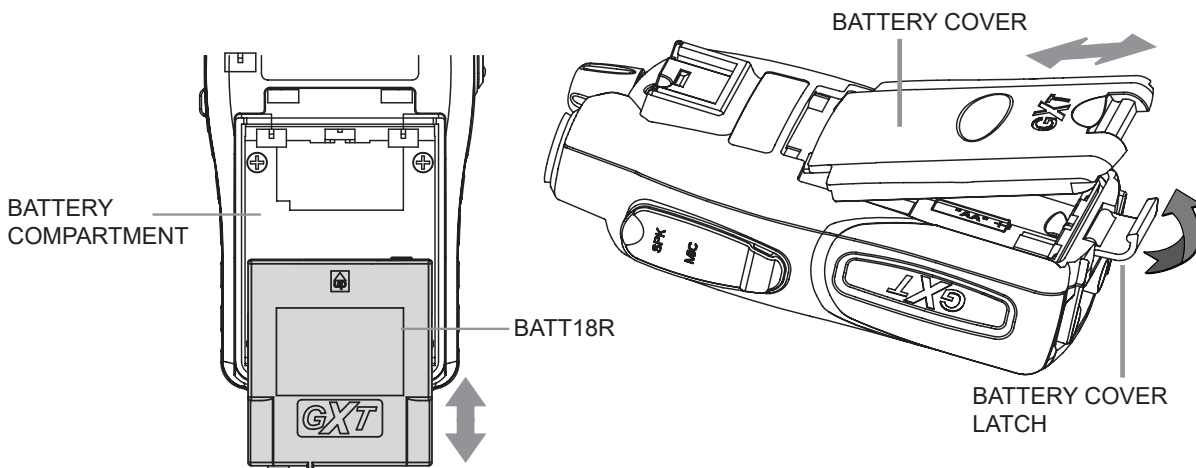
29. SPEAKER – Built-in speaker.

BATTERY INSTALLATION

Your GXT3000 Series radio operates on the (Included) BATT18R Rechargeable Li-ion Battery pack or optionally (not included) 3 AA batteries.

To install the rechargeable battery pack;

1. Remove the belt clip. (See belt clip instructions below)
2. Remove the battery cover by pulling down on the battery cover latch (see diagram below) and gently lifting the cover off the radio.
3. Insert the BATT18R battery pack into the radio per the diagram below, paying close attention to its positioning. Improper installation will cause the radio not to operate.
4. Replace the battery cover and latch it into place.
5. Replace the belt clip.

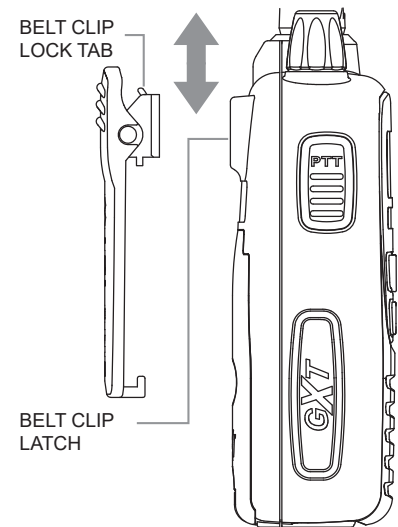


To install AA batteries:

1. Remove the belt clip. (See belt clip instructions below)
2. Remove the battery cover by pulling down on the battery cover latch (see diagram above) and gently lifting the cover off the radio.
3. Insert the AA batteries into the radio using the configuration as marked in the battery compartment, paying close attention to the polarity of the batteries. Improper installation will cause the radio not to operate.
4. Replace the battery cover and latch it into place.
5. Replace the belt clip.

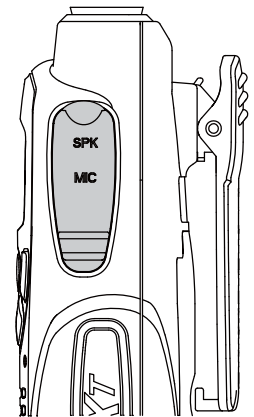
INSTALLING THE BELT CLIP

To install the BELT CLIP, slide the clip down into the slot on the back of the radio until the BELT CLIP LATCH clicks. To remove the BELT CLIP, press the LOCK TAB down, then gently pull the belt clip up toward the top of the radio.



INSTALLING EXTERNAL ACCESSORIES

1. Pull the accessory jack cover to the side exposing the speaker/mic jacks.
2. Insert the accessory plug into the speaker/mic jack, making sure it is securely in place and has made a good connection.



CHARGING THE BATTERY PACK

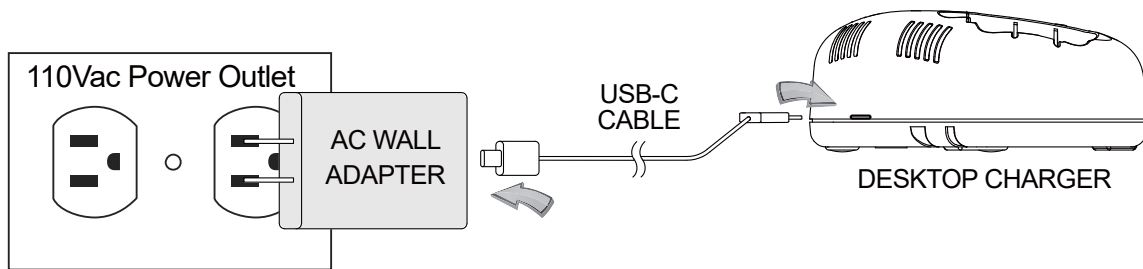
Your GXT3000 series radio comes with a rechargeable battery pack that can be charged using the desktop charger or the USB cable. The radio, desktop charger, and USB cable are compatible with industry-standard PD (Power Delivery) and quick-charging USB-C AC Wall adapters. You may also charge the battery pack using the optional DC Vehicle adapter.



- DO NOT ATTEMPT TO CHARGE AA BATTERIES.
- This can cause significant damage to the radio and void the warranty.

Using the Desktop Charger

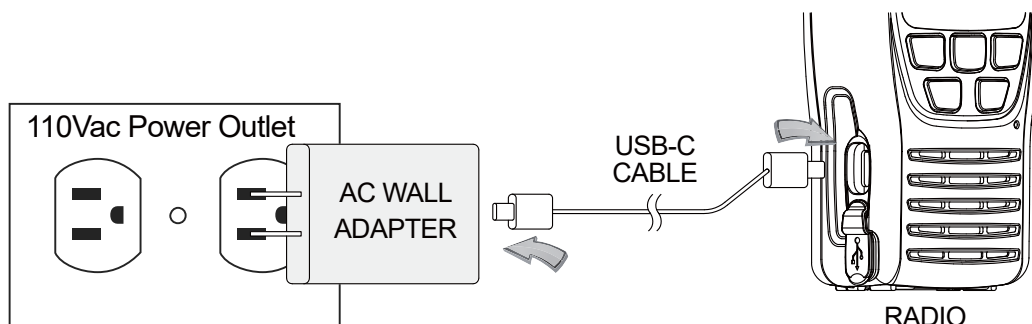
1. Ensure the battery pack is properly installed and the radio is turned off.
2. Connect a USB-C charging cable connector to a compatible AC wall adapter.
3. Connect the other USB-C charging cable connector to the Desktop charger.



4. Plug the AC wall adapter into a 110 Volt AC power outlet.
5. Insert the radio into the Desktop Charger. The LED indicator will light up Red to indicate the radio is properly placed and charging.
6. Remove the radio from the charger when the LED turns green, indicating it is fully charged.

Using the USB Cable (only)

1. Ensure the battery pack is properly installed and the radio is turned off.
2. Connect a USB-C charging cable connector to a compatible AC wall adapter.
3. Connect the other USB-C charging cable connector directly to the radio mUSB-C port on the side of the radio.



4. Plug the AC wall adapter into a 110 Volt AC power outlet.
5. The radio battery meter will flash on the display while it is charging.
6. Disconnect the radio from the charger when the battery meter is on without blinking, indicating it is fully charged.

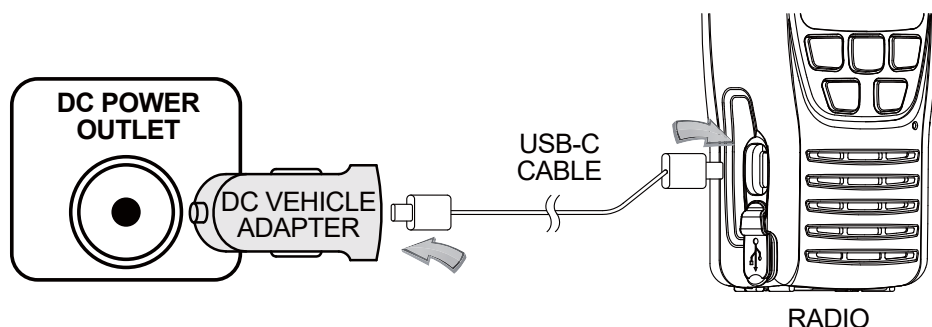
- Only use batteries and charging accessories that are included with this radio or Midland-approved as described above.
 - ◆ Attempting to charge using accessories other than those approved for this radio may cause damage and void the warranty.



- Discontinue charging if the battery becomes excessively warm.
 - ◆ Charge the battery at normal room temperature. Do not charge in high heat or extreme cold as it may cause damage and void the warranty.
- Do not leave the radio in the charger for extended periods of time.
 - ◆ Remove the batteries from the radio, and the radio from the charger for prolonged storage.

Using the DC Vehicle Adaptor

1. Ensure the battery pack is properly installed and the radio is turned off.
2. Connect a USB-C charging cable connector to the DC Vehicle Power adapter.
3. Connect the other USB-C charging cable connector to the Desktop charger or directly to the USB-C port on the side of the radio.



4. Plug the DC adapter into a DC vehicle power outlet. Make sure power is supplied to the outlet.

If using the Desktop charger,

5. Insert the radio into the Desktop Charger. The LED indicator will light up Red to indicate the radio is properly placed and charging.

6. Remove the radio from the charger when the LED turn green, indicating it is fully charged.


If using the USB Cable (only),

7. The radio battery meter will flash on the display while it is charging.

8. Disconnect the radio from the charger when the battery meter is on without blinking, indicating it is fully charged.

BATTERY LEVEL INDICATOR

Your GXT3000 Series has a **BATTERY LEVEL METER**  that shows the battery power level. The greater the number of bars visible, the stronger the battery level.

When the battery level is low, the Battery Shell  icon and **“Lo bt”** will flash in the display indicating your battery pack should be recharged.

OPERATING YOUR RADIO

ABOUT RANGE

Your GXT Series radios are designed to give you maximum range under optimum conditions.



Optimum Conditions are:

- Over water
- Open rural areas without obstructions
- Flat areas where you can see the other person

To ensure you get maximum range:

- Be sure to use fresh or fully charged batteries - low batteries will cause low power conditions.
- Be sure you are on a GMRS only channel - channels 8 to 14 are restricted by the FCC to low power.
- Be sure to set your radio to use Hi power.

POWER ON/OFF AND VOLUME

1. Rotate the Power/Volume knob clockwise to turn on the radio and increase the volume.
 - During power on, the radio will beep 2 times and briefly display all the icons.
 - The radio will return to the last channel used when powered on.
2. Rotate the Power/Volume knob counterclockwise to decrease the volume and turn off the radio.

VOICE COMMUNICATION

To communicate, radios must be set to the same channel and Privacy Code.

1. For maximum clarity, hold the radio 2 to 3 inches from your mouth.
2. Press and hold the **PTT** button and speak in a normal voice into the **microphone**. The **TX** icon will appear continuously on the LCD display while transmitting.
3. To receive a transmission, release the **PTT** button. The **RX** icon will appear on the display when your radio is receiving a transmission.

CHANNEL SELECTION

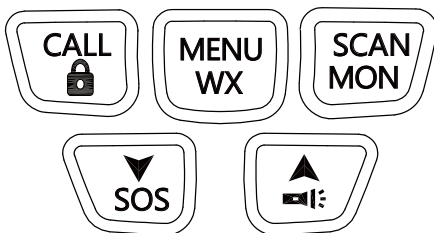
1. Briefly press the Menu button, then use the Up/Down arrow buttons to select one of the 50 GMRS channels or 8 Repeater channels (when enabled).
2. Press the PTT button to confirm the setting and resume normal radio operation.

DISPLAY ILLUMINATION

The display will automatically illuminate when the radio is first turned on or when the MENU, SCAN/MON or the UP/DOWN Arrow buttons are pressed. It will automatically go off after 5 seconds of inactivity.

KEYPAD FUNCTION

The following functions can be directly accessed through the radio keypad.



NOTE: Upper functions are activated by SHORT PRESS of the button. Lower functions are activated by PRESS and HOLD of the button.

Example:

- To activate SCAN, press and release the button momentarily.
- To activate MON, press and hold the button for 3 seconds.

CALL ALERT

The GXT3000 can send a “Call Tone” (direct call) to other radios to alert them you are about to transmit. Make sure Call Alert is turned on and a call tone is selected using the MENU function.

1. Briefly press the CALL/Lock  button to transmit a Call Alert.
2. The TX Icon will illuminate as the Call alert is transmitted.

KEYPAD LOCK

The Keypad can be locked to prevent accidental changes to the settings. You can transmit/receive voice transmissions, use Call Alert, activate the SOS Siren, and Monitor the channel while the keypad is locked.

1. Press and hold the CALL/Lock  button for 3 seconds to lock/unlock the keypad.

MENU

See section below on how to access more features through the radio Menu  button.

WEATHER

The GXT3000 has a NOAA Weather Alert Radio built in. You can listen for current weather conditions or set it to automatically alert you to impending severe weather events or other civil emergencies. It also has Midland Advanced Weather Channel Scan that will scan all 10 weather channels and automatically stop on a Weather Channel with good broadcast signal.






- The radio must be set to a Weather Channel with good signal in your area for the Weather Alert feature to work correctly.
- Check with your local NWS office or go to the NWS website at: https://www.weather.gov/nwr/station_listing to find your frequency. Use the chart to locate the Weather Channel setting number to be programmed into the radio.







Channel	Frequency
1	162.550
2	162.400
3	162.475
4	162.425
5	162.450
6	162.500
7	162.525
8*	161.650
9*	161.775
10*	163.275

* Canadian Marine Frequencies

Set the Weather Channel & Listen to Weather




1. Press and hold the Menu/WX  button for 5 seconds to start Weather Channel Scan and “Listen to Weather”.
2. The radio will stop scanning on the first usable signal for your area and you will hear the voice of the National Weather Service – this is “Listen to Weather”
3. The radio will automatically rescan if the Weather Channel signal becomes too weak. If you want to start a search for a stronger channel, press the Up  or Down  arrow button

to rescan the weather channels.


- The weather icon  will be flashing while in weather scan mode.
4. OR briefly press the Menu/WX  button a second time and then use the Up  or Down  Arrow button to manually set the Weather Channel per the chart above.
- The weather  icon will stop flashing and the weather channel number will be flashing while setting the weather channel manually.
 - Press the PTT or Menu button to accept manual Weather Channel selections and **“Listen to Weather”**.
5. In **“Listen to Weather”**, press the PTT button to return to GMRS operation.
- The weather  icon will be flashing while in normal GMRS mode with Weather Alert turned on.

Weather Alert On/Off


NOTE: Weather Alert is automatically ON while in Listen to Weather mode.

1. Once the Weather channel is set, press the Menu/WX  button again to advance to turning Weather Alert (“AL” in the display) On/Off.
2. Use the Up  or Down  button to turn Weather Alert on or off.
3. Press the PTT or Menu button to accept the Weather Alert selection and **“Listen to Weather”**.

CHANNEL SCAN


1. Briefly press the Scan/Monitor  button to turn Scan on or off.
2. The radio will rapidly scan through all available channels stopping briefly on a channel in use to hear the conversation.
3. You may join the conversation by pressing the PTT button and using the radio normally.
4. The radio will return to scanning after 5 seconds of inactivity.

MONITOR

1. Press and hold the Scan/Monitor  button for 3 seconds to turn Monitor on or off.
 - Monitor is used to check for channel traffic before you transmit.

SOS SIREN

The GXT3000 can sound a loud siren to alert others you need assistance.

1. Press and hold the Down Arrow/SOS  button for 3 seconds to activate the SOS siren.
 - Sos will be flashing in the display while activated.
2. Deactivate the SOS siren by double-pressing the PTT button.

FLASHLIGHT

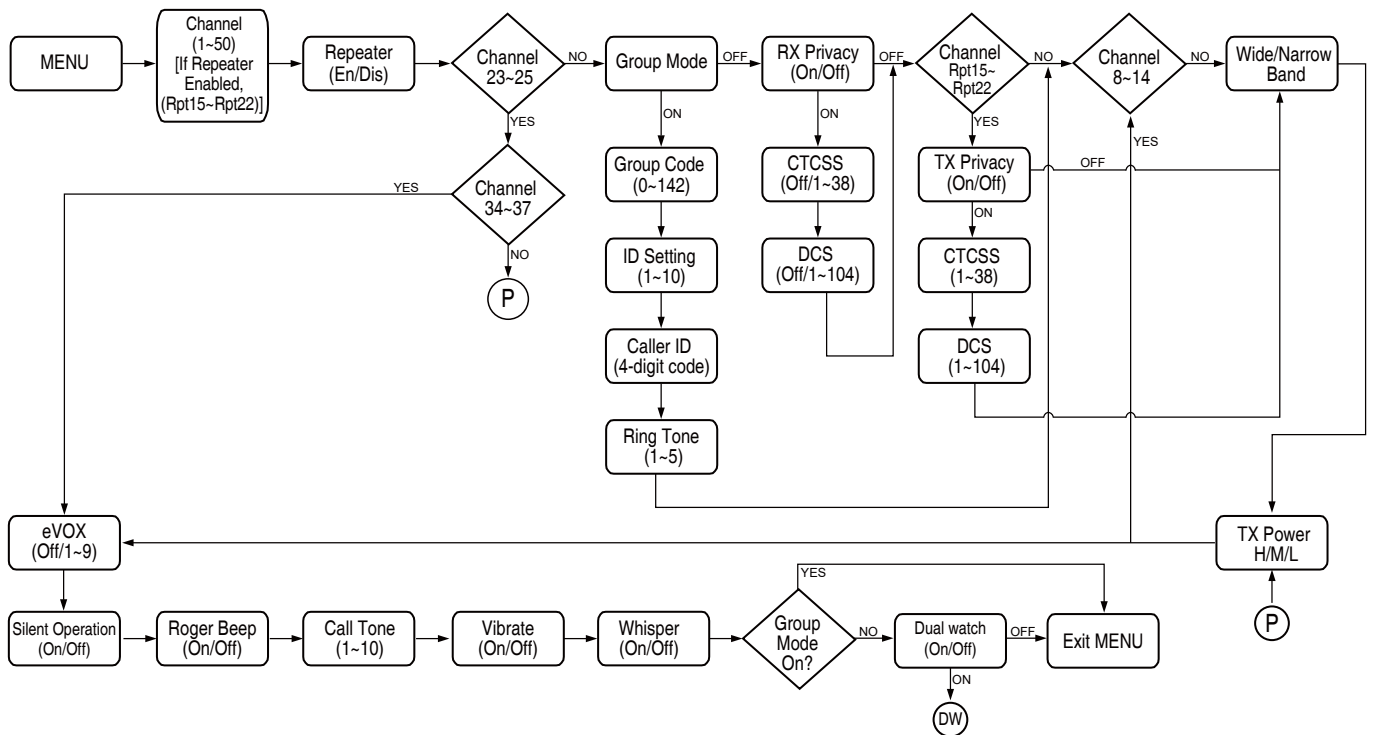
1. Press and hold the Up Arrow/Flashlight  button for 3 seconds to turn the Flashlight On or Off.

ADVANCED MENU FUNCTIONS

Briefly press the Menu/WX  button twice to increment past Channel Selection and access the Advanced Functions of the radio.

1. Briefly press the Menu button to increment through the Function Menus.
2. Use the Up/Down arrows to change a setting.
3. You may press the PTT button at any time to exit the Menu and resume normal radio operation..

Use the following flow chart to guide you through the Menu and to adjust the settings.



REPEATER OPERATION

The GXT3000 can access a national network of Repeaters that can extend the range of the radio when using Repeater Channels 15 - 22.

1. Increment through the Menus until the “rp” icon is flashing in the display.
2. Use the Up/Down arrow to either enable “en” or disable “dis” the use of Repeater Channels.

GROUP MODE

In Group mode, you can set up groups of radio users so that you can do a Group Call alert to only one Group, or all Groups with the same Group Code. Voice communications are heard by all Groups using the same Group Code, but with Group Call you can identify yourself as the caller and alert the Group(s) you call that the communication is specifically meant for them.

1. Group Mode only works on channels 1-22.
2. To use Group mode, you must first

- a. Turn Group Mode operation on
- b. Set up a Group Code
- c. Set the radio's Group Number / Group ID
- d. Set the Group Caller ID
- e. Set the Group Ring Tone



- To communicate between radios in Group Mode, the radios must be set to the same Channel and Group Code selections.
- Make note of the settings used while setting up GROUP MODE so others can identify you and call your Group.
- Leave GROUP MODE off to keep the radio in normal "GMRS" mode and include radios without GROUP MODE.

Set The Radio To Group Mode

1. Set the radio to a Channel between 1 and 22.
2. Increment through the Menus until "Gr" is flashing in the display.
3. Use the Up/Down arrow to either turn Group mode ON or OFF.
 - The "grp" icon will be on in the display while in GROUP MODE.
4. Press MENU to advance to the next setting, GROUP CODE.

Set a Group Code

1. While in Group Mode, Use the Up/Down arrow button to select one of the 143 group codes (0 – 142).
2. Press MENU again to advance to the next setting, GROUP ID.

Set Group ID

1. Once the GROUP CODE is set, press menu to set the GROUP ID.
 - "Id" will be shown on the display with the Code digits flashing to the right.

2. Use the UP/DOWN arrow to select one of the 10 Group Numbers / Group IDs.
3. Press MENU to advance to the next setting, Group Caller ID.

Set Group Caller ID

1. After the GROUP ID is set, press Menu to set your Group CALLER ID.
 - CALLER ID will identify you as the caller when transmitting a Group Call.
 - CALLER ID is a 4-digit number selected by the user.
2. The first digit in the display will be flashing. Use the Up/Down arrow button to select the first digit of your CALLER ID.
3. Press the SCAN/MON button to advance to the next digit. Use the Up/Down arrow to make the selection.
4. Repeat step 3 until all 4 digits are set.
5. Press MENU to advance to the next setting, GROUP RING TONE

Set a Group Ring Tone

1. After the CALLER ID is set, press Menu to set your RING TONE.
 - Your RING TONE will be played back when you receive a Group Call.
2. Use the UP/DOWN arrow button to select one of the 5 Group Ring Tones.
3. Press MENU to advance to the next setting.

Making a Group Call

Group Call allows you to do a Group Call alert to only one Group, or all Groups with the same Group Code.




- You must be in Group Mode for Group Call to function.
- Only radios set to the same Channel and Group Code will receive your Group Call.

1. While in Group Mode, press the CALL/LOCK button.
2. "AL" will appear in the display. Press CALL/LOCK again to select and send the call for ALL Groups.
3. Press the UP/DOWN Arrow button to change "AL" to the Group Number / Group ID of the Group you want to call.
4. Press CALL/LOCK again to send the Call to only the selected Group.

SETTING PRIVACY CODES


When not in Group Mode and on a Channel that supports it, you can select from one of the 142 Privacy codes to increase privacy and reduce interference on a channel.

- You can only select a Privacy Code when GROUP MODE is off and for channels 1-22 or Repeater Channels 15 - 22.
 - ◆ Channels 23-50 have preset Privacy Codes that cannot be changed.
 - ◆ Group Mode settings supersede Privacy Code settings.
 - Repeater channels provide for "Split Tones" – selection of separate Receive and Transmit Privacy Codes, which may be the same or different.
 - Select from 38 CTCSS, 104 DCS codes or OFF for each channel.
 - ◆ Radio with Privacy codes Off will disable this function, increasing interference and reducing Privacy.
 - The selected Privacy Code can be different for each channel.
 - Radios must be using the same Privacy code and channel to work together.
- 
1. Press the MENU button until "of", "ct", or "dc" is flashing in the Code, to the right of the Channel number. For Repeater Channels, this is the RX Privacy Code selection.
 2. Use the UP/Down Arrow to select between OFF ("of") CTCSS ("ct") or DCS ("dc").

3. If CTCSS or DCS is selected, press menu to advance to the Privacy Code Selection.
4. Use the UP/Down arrow to select the desired Privacy Code.
5. Press Menu to accept the setting and advance to the next setting.
 - For Repeater Channels, the next setting is TX Privacy Code selection.

BANDWIDTH


You can choose between using Wide or Narrow bandwidth on channels 1-7, 15-22, and Repeater 15-22. All other channels are preset to Narrow band.

- Narrow Band may reduce effects of interference in some situations and is the best setting for operating with FRS -only radios.
 - Wideband may improve voice quality and is the setting used by most Repeaters.
 - For best results, make sure transmitting and receiving radios both use the same bandwidth setting.
- 
1. Press the MENU button until “w” or “n” flashes to the right of the Channel number.
 2. Use the UP/Down Arrow to select between Wide (“W”) or Narrow (“N”) bandwidth.
 3. Press Menu to accept the setting and advance to the next setting.

TRANSMIT (TX) POWER

You can select from 3 power levels on channels 1-7, 15-33, 38-50, and Repeater 15-22. Channels 8-14 and 34-37 are set to low power as per FCC regulations.

- Lower power will reduce range but increase battery life.
- Higher power will increase range but reduce battery life.

- The radio will automatically set to Low power when the battery meter  drops to one bar.
1. Press the MENU button until “pr” is flashing to the right of the Channel Number.
 2. Use the UP/Down Arrow to select between Low (“L”), Medium (“M”) or High (“H”) transmission power.
 - The Power Level icon will be flashing in the upper right-hand corner of the display.
 3. Press Menu to accept the setting and advance to the next setting.

VOX

Voice Operated Transmission (“VOX”) provides for hands-free operation by transmitting when you speak into the microphone and without pressing the PTT button. You can select between 9 sensitivity levels for VOX. You can think of the VOX sensitivity number as “how loud I need to speak to activate transmission”. The default VOX setting is Off (“of”).

- The lower the sensitivity number, the easier the radio will respond to your voice, but will also increase background noise and accidental transmissions.
 - The higher settings reduce the likelihood of an accidental transmission, but also require you to speak louder into the radio microphone to transmit.
1. Press the MENU button until the “VOX” icon is flashing in the display
 2. Use the UP/Down Arrow to select between Off (“of”) and the 9 different sensitivity levels.
 3. Press Menu to accept the setting and advance to the next setting.

BUTTON BEEPS

Turn the Keypad Button Beeps OFF for Silent Operation.

1. Press the MENU button until “bP” is flashing in the display.
2. Use the UP/Down Arrow to turn the Button Beeps ON or Off.
3. Press Menu to accept the setting and advance to the next setting.

ROGER BEEP

When Roger Beep is on, the radio will transmit a tone to other radios when you release the PTT to confirm you have ended your transmission and others may begin.

1. Press the MENU button until “rb” is flashing in the display.
2. Use the UP/Down Arrow to turn Roger Beep ON or Off.
3. Press Menu to accept the setting and advance to the next setting.

CALL ALERT TONE SELECTION


Select the Call Alert tones that you want to sound when you transmit a Direct Call.

1. Press the MENU button until “CA” is flashing in the display.
2. Use the UP/Down Arrow to select from one of the 10 different Call Tones.
3. Press Menu to accept the setting and advance to the next setting.

VIBRATE ALERT

Vibrate Alert will vibrate the radio instead of sounding tones to alert you when receiving a Direct Call or Group Call from another radio that is compatible with your radio’s Vibrate function. The other, calling radio does not need to be set for Vibrate in order for you to choose Vibrate alerting for your radio.

1. Press the MENU button until “Ub” is flashing in the display.
2. Use the UP/Down Arrow to turn Vibrate Alert ON or Off.

- The Vibrate Alert  Icon will remain on when the function is activated.
3. Press Menu to accept the setting and advance to the next setting.

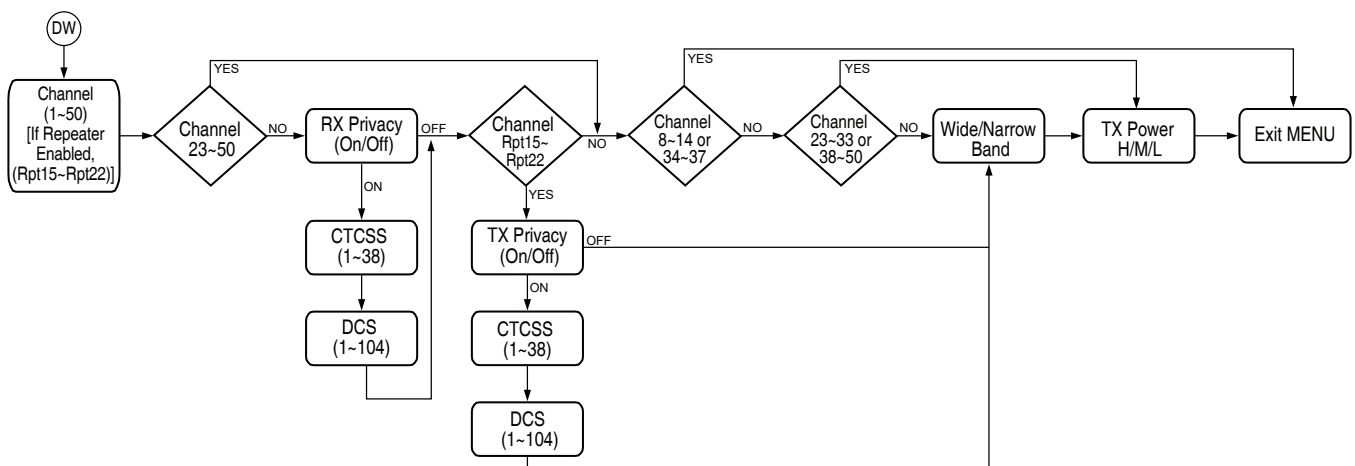
WHISPER MODE

Whisper Mode allows you to speak softly into your microphone but transmit at a higher voice volume level.

1. Press the MENU button until “WI” is flashing in the display.
2. Use the UP/Down Arrow to turn Whisper Mode ON or Off.
 - The WI Icon will remain on when the function is activated.
3. Press Menu to accept the setting and advance to the next setting.

DUAL WATCH PRO

Dual Watch Pro allows you to scan two channels for activity. The radio’s current channel will be used as the starting Primary channel (A), and the Secondary channel (B) to be scanned will start with the channel set through the menu. Refer to the following flowchart for configuration from Dual Watch Pro menus.



1. Press the MENU button until the “DW” icon flashes in the display.

- “oF” will be flashing in the display with a “dU” to the right of it.
2. Use the UP/Down Arrow to turn Dual Watch ON and select the second channel to be scanned.
 3. Once you have selected the Secondary channel, press the Menu button again to check, and change, its Privacy code as shown above (if desired).
 - Privacy codes can only be set on Channels 1-22.
 - Note that Dual Watch Pro operation is not available while in Group Mode. Exit Group Mode in order to use Dual Watch Pro.
 4. Once the Privacy Code is set, press Menu again to check, and change, Band and TX Power settings (if desired).
 5. Press Menu again, or the PTT button, to accept the settings and begin Dual Watch.
 6. When in Dual Watch Mode:
 - The “DW” Icon will remain on.
 - The radio display will flash between the two channels being scanned, A & B.
 - Pressing the PTT will transmit on the Primary (A) Channel.
 - You can swap which channels are Primary (A) and Secondary (B) by pressing the Up or Down arrow while scanning.
 - The radio will stop scanning when a transmission is received.
 - Press the PTT to join the conversation.
 - The radio will resume Dual Watch Pro scanning after 5 seconds of inactivity.
 7. Press the SCAN button to turn Dual Watch Pro off and return to normal GMRS operation.



TROUBLESHOOTING GUIDE

PROBLEM	SOLUTION
No Power	- Check battery installation and/or replace batteries.
Cannot Receive Messages	- Confirm the radios have the same frequency and privacy code channel settings. - Make sure that you are within range of the other transceivers. - Buildings and other structures may interfere with your communication. (See ABOUT RANGE on Page 11)
Radio is not responding to button presses	- Make sure key lock is not on (See KEYPAD LOCK on Page 13). - Radio might need to be reset. Turn radio off then on.
Display is dim	- Recharge or replace batteries.
Charger not functioning	- Contacts on the bottom of the radio may require cleaning. - Ensure the outlet where the charger is plugged in is functioning properly. - Check that the battery pack is installed in the radio properly.

If you have a problem which you believe requires service, please call first and speak with a service technician at 816-241-8500. Many problems can be remedied over the phone without returning the unit for service.

IMPORTANT: Changes or modifications to this unit not expressly approved by MIDLAND RADIO CORP. could void your right to operate this unit. Your radio is set up to transmit a regulated signal on an assigned frequency. It is against the law to alter or adjust the settings inside the COMMUNICATOR to exceed those limitations. Any adjustment to your radio must be made by qualified technicians.

USE AND CARE

1. Use a soft damp cloth to clean the radio.
2. Do not use alcohol or cleaning solutions to clean the radio.
3. Do not immerse the radio in water.
4. Dry the radio with a dry lint-free cloth should it get wet.
5. Turn off the radio and remove the batteries during long-term storage.

SPECIFICATIONS

Channels 22 GMRS Channels +142 Privacy Codes
 28 Midland Preset Channels
 8 Repeater Channels
 10 NOAA Weather (WX) Band Channels

Operating Frequency UHF 462.5500 ~ 467.7125 MHz

Power Source 3.8V 1800mAh Li-ion Battery Pack or 3 AA Alkaline

GMRS FREQUENCY CHART (MHz)

Channel No.	Channel Freq.	Channel No.	Channel Freq.	Channel No.	Channel Freq.
1	462.5625	9	467.5875	17	462.6000
2	462.5875	10	467.6125	18	462.6250
3	462.6125	11	467.6375	19	462.6500
4	462.6375	12	467.6625	20	462.6750
5	462.6625	13	467.6875	21	462.7000
6	462.6875	14	467.7125	22	462.7250
7	462.7125	15	462.5500		
8	467.5625	16	462.5750		

* Channels 8 - 14 and 34 - 37 are low-power GMRS channels

MIDLAND PRESET CHANNELS

Midland Preset Channel	Frequency	GMRS Channel	Privacy Code	Midland Preset Channel	Frequency	GMRS Channel	Privacy Code
Channel 23	462.5625	1	CTCSS 38	Channel 37*	467.7125	14	DCS 19
Channel 24	462.6125	3	CTCSS 35	Channel 38	462.5750	16	DCS 22
Channel 25	462.6625	5	CTCSS 32	Channel 39	462.6250	18	DCS 25
Channel 26	462.7125	7	CTCSS 29	Channel 40	462.6750	20	DCS 28
Channel 27	462.5500	15	CTCSS 26	Channel 41	462.7250	22	DCS 31
Channel 28	462.6000	17	CTCSS 23	Channel 42	462.5625	1	CTCSS 14
Channel 29	462.6500	19	CTCSS 20	Channel 43	462.6125	3	CTCSS 11
Channel 30	462.7000	21	CTCSS 17	Channel 44	462.6625	5	CTCSS 8
Channel 31	462.5875	2	DCS 1	Channel 45	462.7125	7	CTCSS 5
Channel 32	462.6375	4	DCS 4	Channel 46	462.5500	15	CTCSS 2
Channel 33	462.6875	6	DCS 7	Channel 47	462.6000	17	CTCSS 37
Channel 34*	467.5625	8	DCS 10	Channel 48	462.6500	19	CTCSS 34
Channel 35*	467.6125	10	DCS 13	Channel 49	462.7000	21	CTCSS 31
Channel 36*	467.6625	12	DCS 16	Channel 50	462.7250	2	DCS 2

GMRS REPEATER FREQUENCY CHART

Channel No.	TX Freq.	RX Freq.
RP15	467.5500	462.5500
RP16	467.5750	462.5750
RP17	467.6000	462.6000
RP18	467.6250	462.6250
RP19	467.6500	462.6500
RP20	467.6750	462.6750
RP21	467.7000	462.7000
RP22	467.7250	462.7250

NOAA WEATHER (WX) RADIO FREQUENCY CHART (MHz)

Channel No.	Channel Freq.	Channel No.	Channel Freq.
1	162.550	6	162.500
2	162.400	7	162.525
3	162.475	8	161.650
4	162.425	9	161.775
5	162.450	10	163.275

* Channel 8, 9 and 10 are designated Canadian Marine Frequencies

CTCSS PRIVACY CODES FREQUENCY CHART (Hz)

Code	Freq.	Code	Freq.	Code	Freq.	Code	Freq.	Code	Freq.
1	67.0	9	91.5	17	118.8	25	156.7	33	210.7
2	71.9	10	94.8	18	123.0	26	162.2	34	218.1
3	74.4	11	97.4	19	127.3	27	167.9	35	225.7
4	77.0	12	100.0	20	131.8	28	173.8	36	233.6
5	79.7	13	103.5	21	136.5	29	179.9	37	241.8
6	82.5	14	107.2	22	141.3	30	186.2	38	250.3
7	85.4	15	110.9	23	146.2	31	192.8		
8	88.5	16	114.8	24	151.4	32	203.5		

Note: Privacy Codes can only be programmed for use on Channels 1-22 and Repeater channels.

DCS PRIVACY CODE CHART

No.	CODE	No.	CODE	No.	CODE	No.	CODE
1	023	27	165	53	413	79	731
2	025	28	172	54	423	80	732
3	026	29	174	55	431	81	734
4	031	30	205	56	432	82	743
5	032	31	223	57	445	83	754
6	043	32	226	58	464	84	036
7	047	33	243	59	465	85	053
8	051	34	244	60	466	86	122
9	054	35	245	61	503	87	145
10	065	36	251	62	506	88	212
11	071	37	261	63	516	89	225
12	072	38	263	64	532	90	246
13	073	39	265	65	546	91	252
14	074	40	271	66	565	92	255
15	114	41	306	67	606	93	266
16	115	42	311	68	612	94	274
17	116	43	315	69	624	95	325
18	125	44	331	70	627	96	332
19	131	45	343	71	631	97	356
20	132	46	346	72	632	98	446
21	134	47	351	73	654	99	452
22	143	48	364	74	662	100	454
23	152	49	365	75	664	101	455
24	155	50	371	76	703	102	462
25	156	51	411	77	712	103	523
26	162	52	412	78	723	104	526

Note: Privacy Codes can only be programmed for use on Channels 1-22 and Repeater channels.

LIMITED WARRANTY

Subject to the exclusions set forth below, Midland Radio Corporation will repair or replace, at its option without charge, any Midland GMRS transceiver which fails due to a defect in material or workmanship within Three Years following the initial consumer purchase.

This warranty does not apply to water damage, battery leak, abuse or misuse of unauthorized accessories, unauthorized service or modification or altered products. Accessories have a 90 day warranty from date of purchase, including any chargers, microphones, and cables.

This warranty does not include the cost of labor for removal or re-installation of the product in a vehicle or other mounting.

ANY IMPLIED WARRANTIES, INCLUDING, WITHOUT LIMITATION THE IMPLIED WARRANTIES OF MERCHANTABILITY AND FITNESS FOR A PARTICULAR PURPOSE, SHALL BE LIMITED AS SET FORTH HEREIN AND TO THE DURATION OF THE LIMITED WARRANTY, OTHERWISE THE REPAIR OR REPLACEMENT AS PROVIDED UNDER THIS EXPRESS LIMITED WARRANTY IS THE EXCLUSIVE REMEDY OF THE CONSUMER AND IS PROVIDED IN LIEU OF ALL OTHER WARRANTIES, EXPRESS OR IMPLIED. IN NO EVENT SHALL MIDLAND BE LIABLE, WHETHER IN CONTRACT OR TORT (INCLUDING BUT NOT LIMITED TO NEGLIGENCE, GROSS NEGLIGENCE, BODILY INJURY, PROPERTY DAMAGE AND DEATH) FOR DAMAGES IN EXCESS OF THE PURCHASE PRICE OF THE PRODUCT OR ACCESSORY, OR FOR ANY INDIRECT, INCIDENTAL, SPECIAL OR CONSEQUENTIAL DAMAGES OF ANY KIND, OR LOSS OF REVENUE OR PROFITS, LOSS OF BUSINESS, LOSS OF INFORMATION OR DATA OR OTHER FINANCIAL LOSS ARISING OUT OF OR IN CONNECTION WITH THE ABILITY OR INABILITY TO USE THE PRODUCTS OR ACCESSORIES TO THE FULL EXTENT THESE DAMAGES MAY BE DISCLAIMED BY LAW.

For Product Purchased in the USA:

Performance of any obligation under this warranty may be obtained by returning the warranted product, prepaid freight, along with proof of purchase to:

**Midland Radio Corporation
Warranty Service Department
5900 Parretta Drive
Kansas City, MO 64120**

This warranty gives you specific legal rights, and you may also have other rights, which vary from state to state.

Note: The above warranty applies only to merchandise purchased in the United States of America or any of the territories or possessions thereof, or from a U.S. Military exchange.

ACCESSORIES

Accessories can be purchased at midlandusa.com.



AVP1

- Over the Ear Headsets



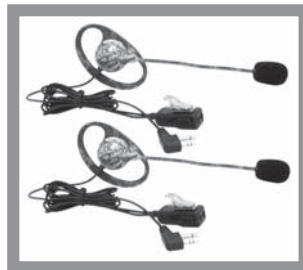
AVPH5

- Behind the Head Headsets



BATT18R

- Rechargeable Battery Pack



AVPH7

- Camo Headsets with Boom Mic



AVPH2

- Closed Face Helmet Headset Kit



AVP-H8

- Acoustic Throat Mic



AVPH3

- Surveillance Headsets



AVPH10

- Shoulder Speaker Mic



AVPH4

- Wrap Around the Ear Headsets

**THIS PAGE IS
INTENTIONALLY
LEFT BLANK**



MIDLAND RADIO CORPORATION
5900 Parretta Drive
Kansas City, MO 64120
 816-241-8500

We'd love to hear from you! Let us know what you think of your new Midland product at:



or by visiting us at:

midlandusa.com

Note: Features & Specifications are subject to change without notice. MIDLAND is not responsible for unintentional errors or omissions on its packaging.