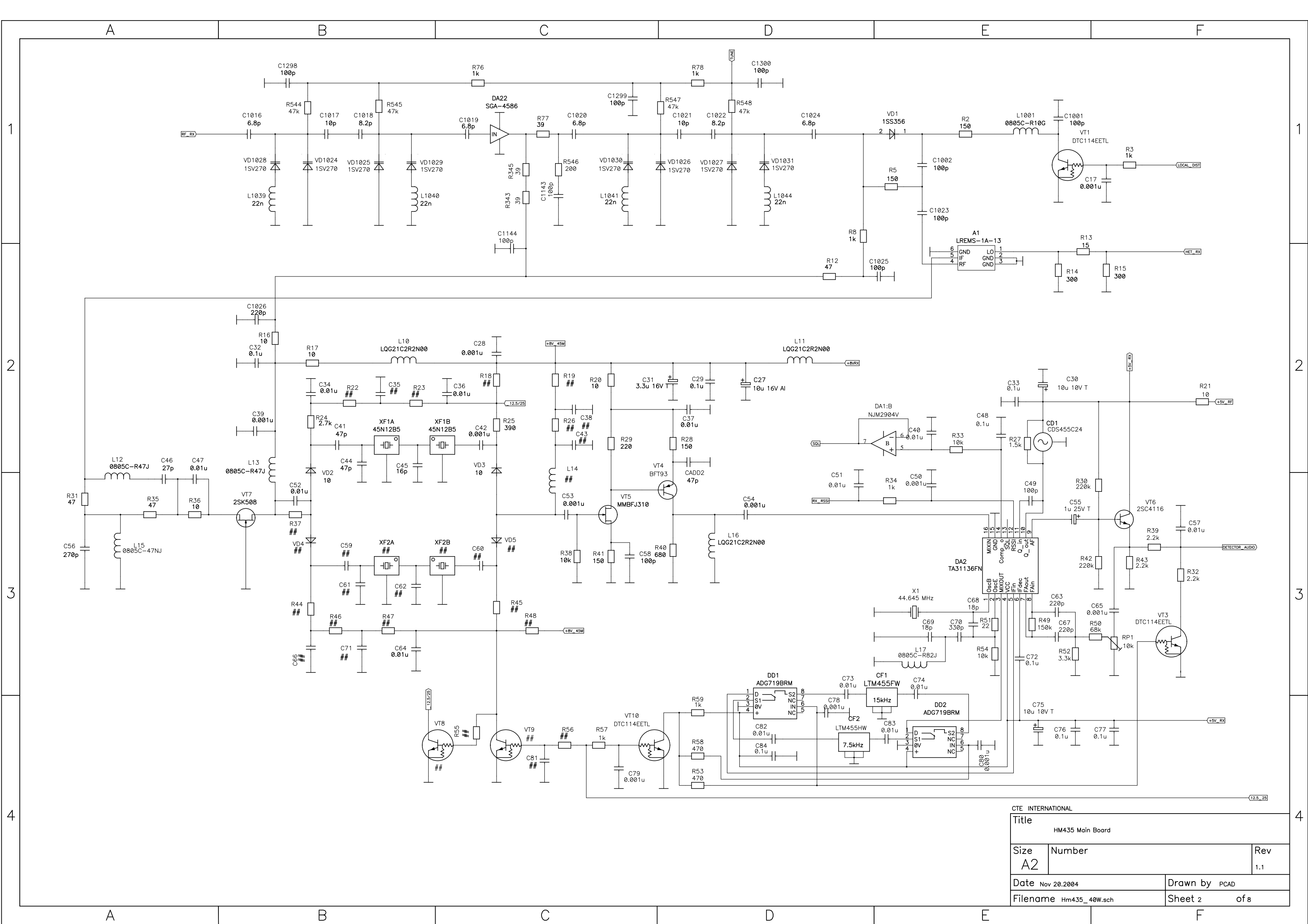


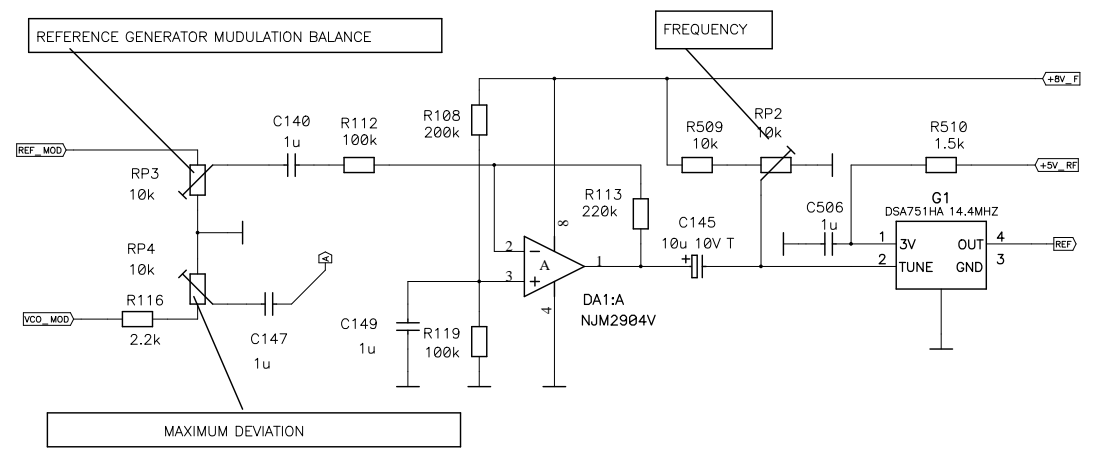
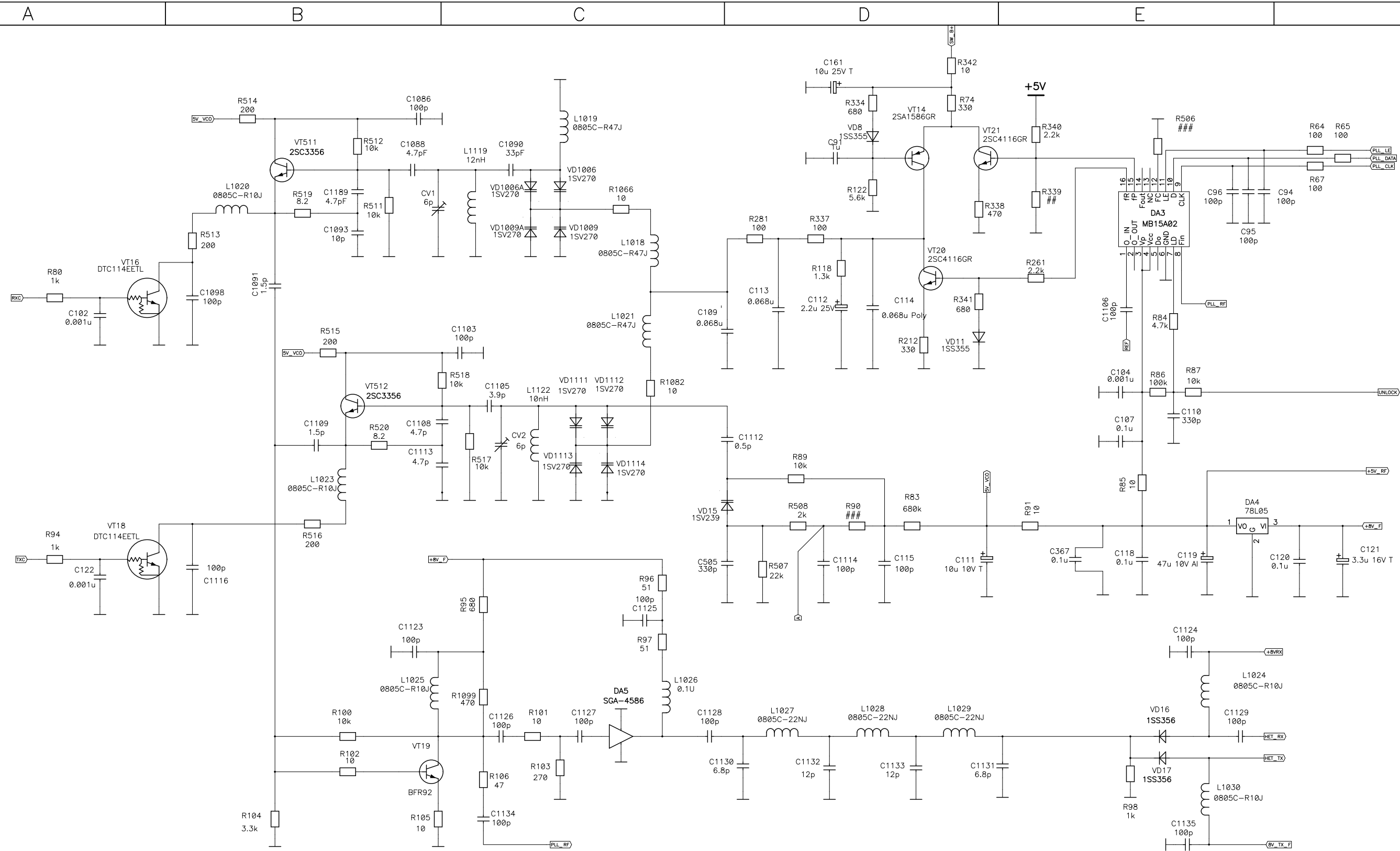
TX Power Calibration

CTE INTERNATIONAL

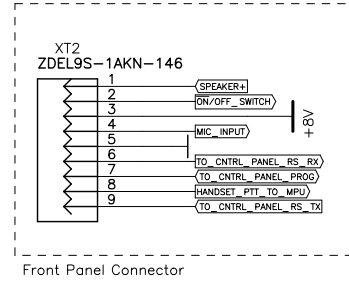
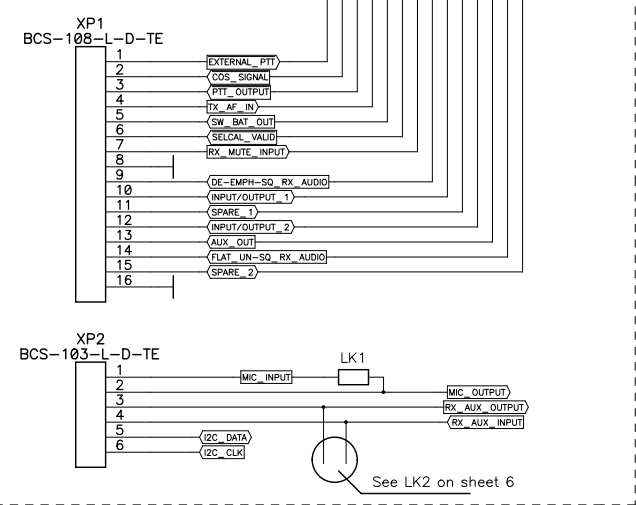
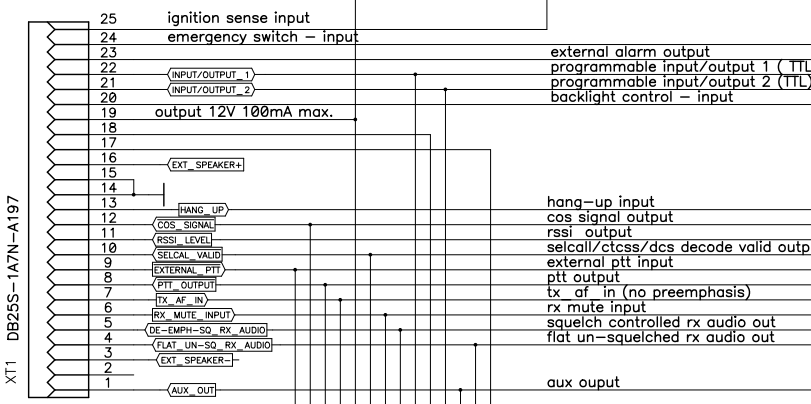
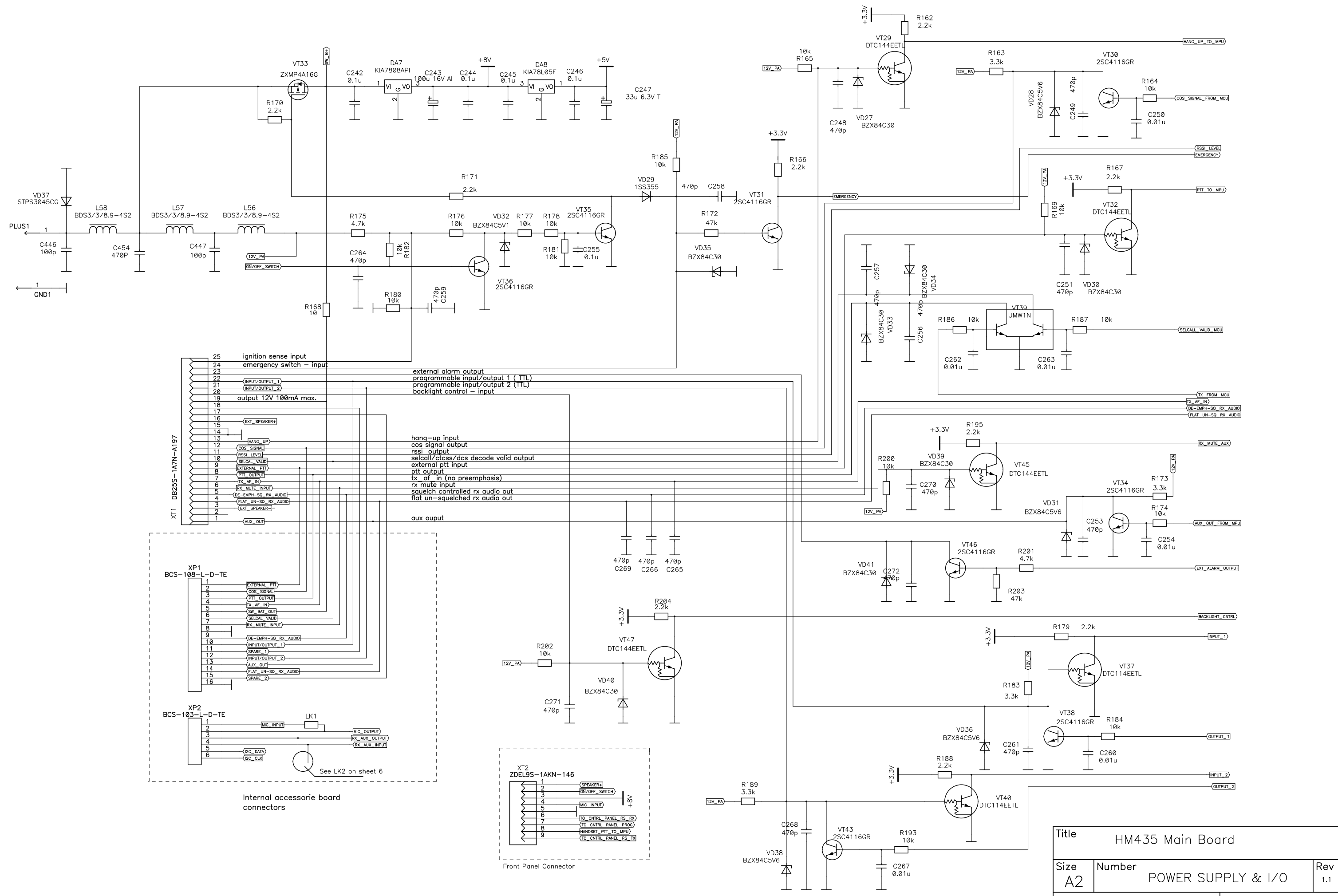
Title HM435 Main Board		
Size A2	Number	Rev 1.1
Date Nov 20.2004	Drawn by PCAD	
Filename Hm435_40W.sch	Sheet 1	of 8



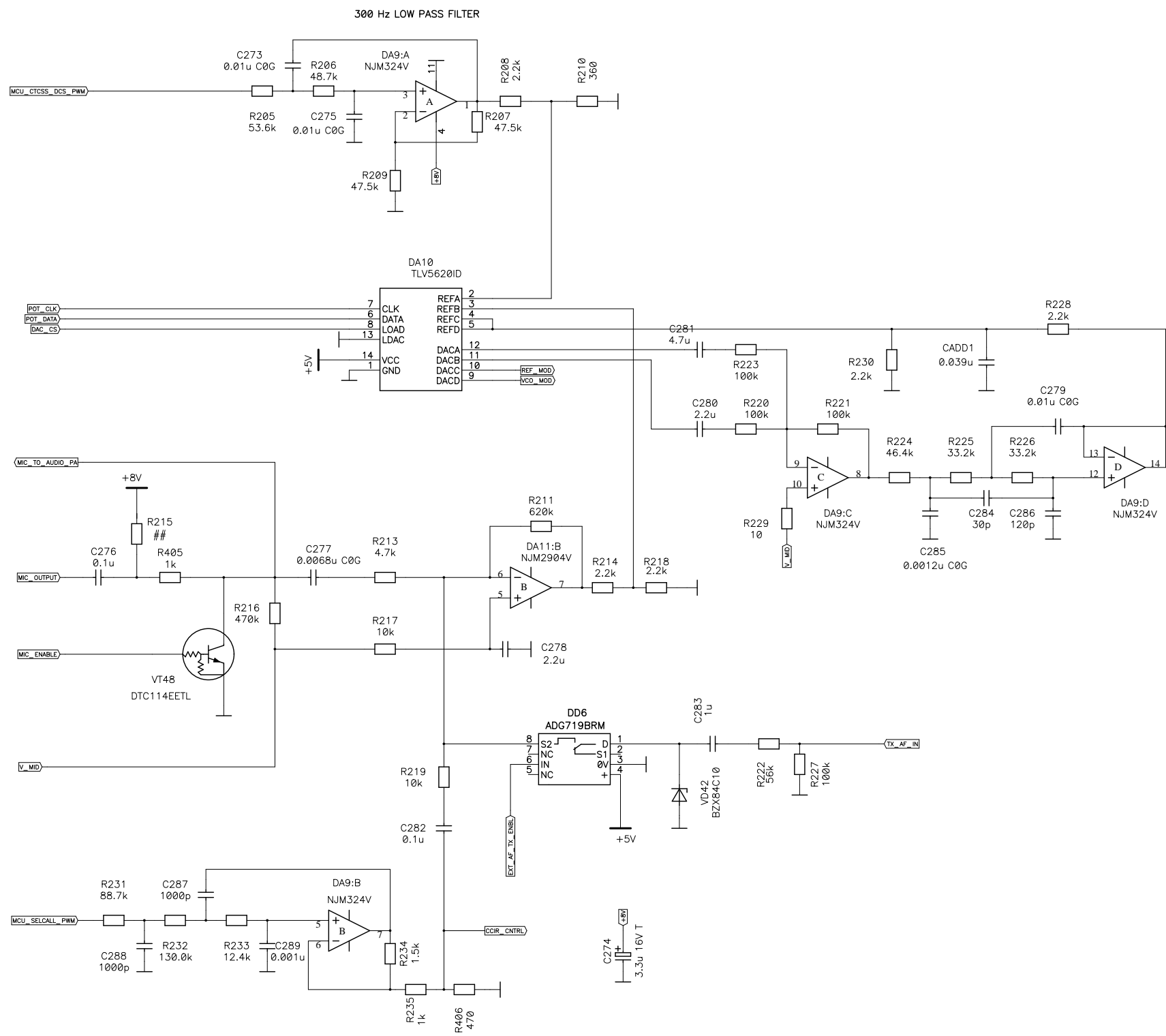
CTE INTERNATIONAL		
Title HM435 Main Board		
Size A2	Number	Rev 1.1
Date Nov 20.2004	Drawn by PCAD	
Filename Hm435_40W.sch	Sheet 2	of 8



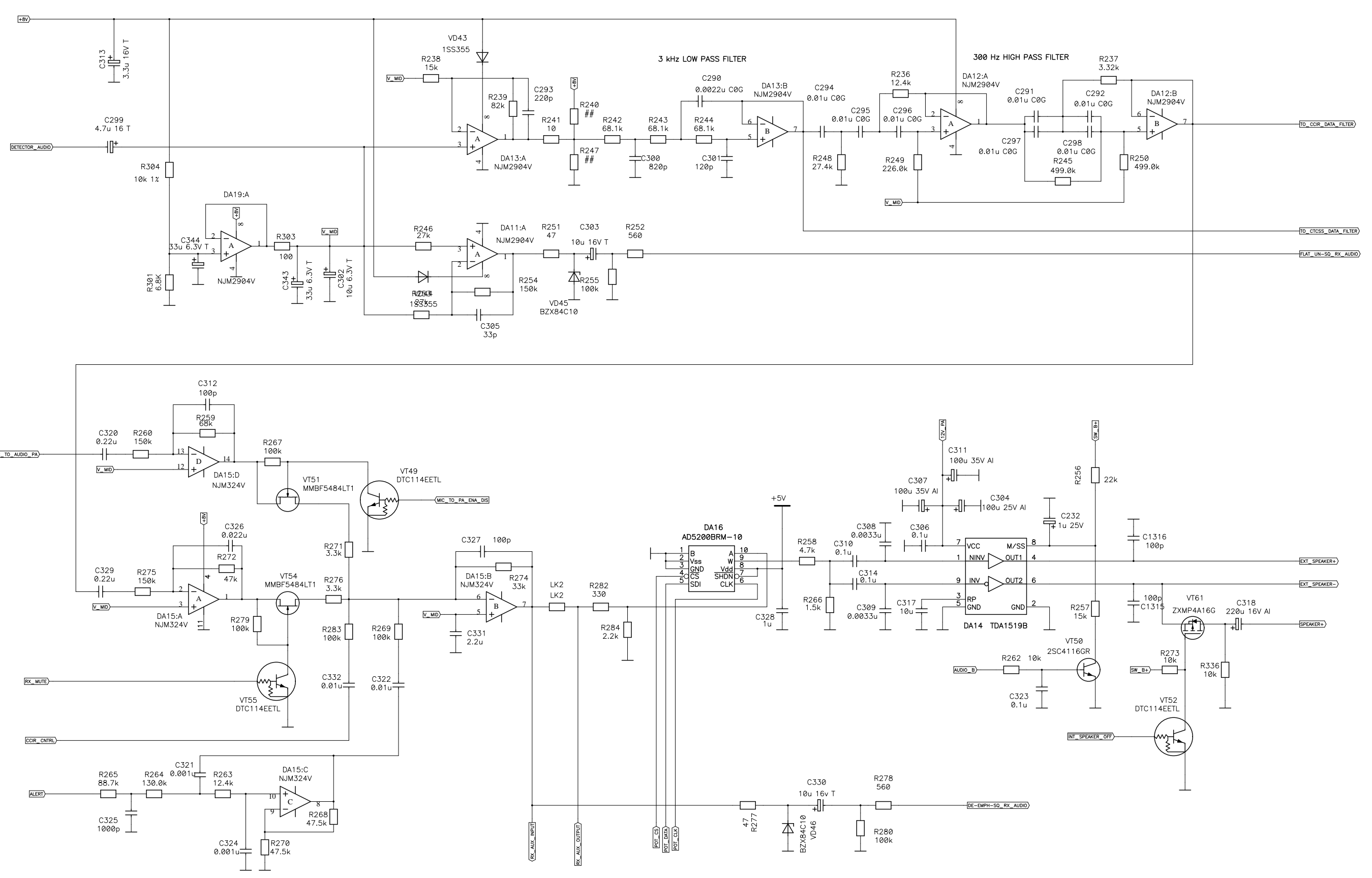
CTE INTERNATIONAL		
Title HM435 Main Board		
Size A2	Number	Rev 1.1
Date Nov 20.2004	Drawn by PCAD	
Filename Hm435_40W.sch	Sheet 3	of 8



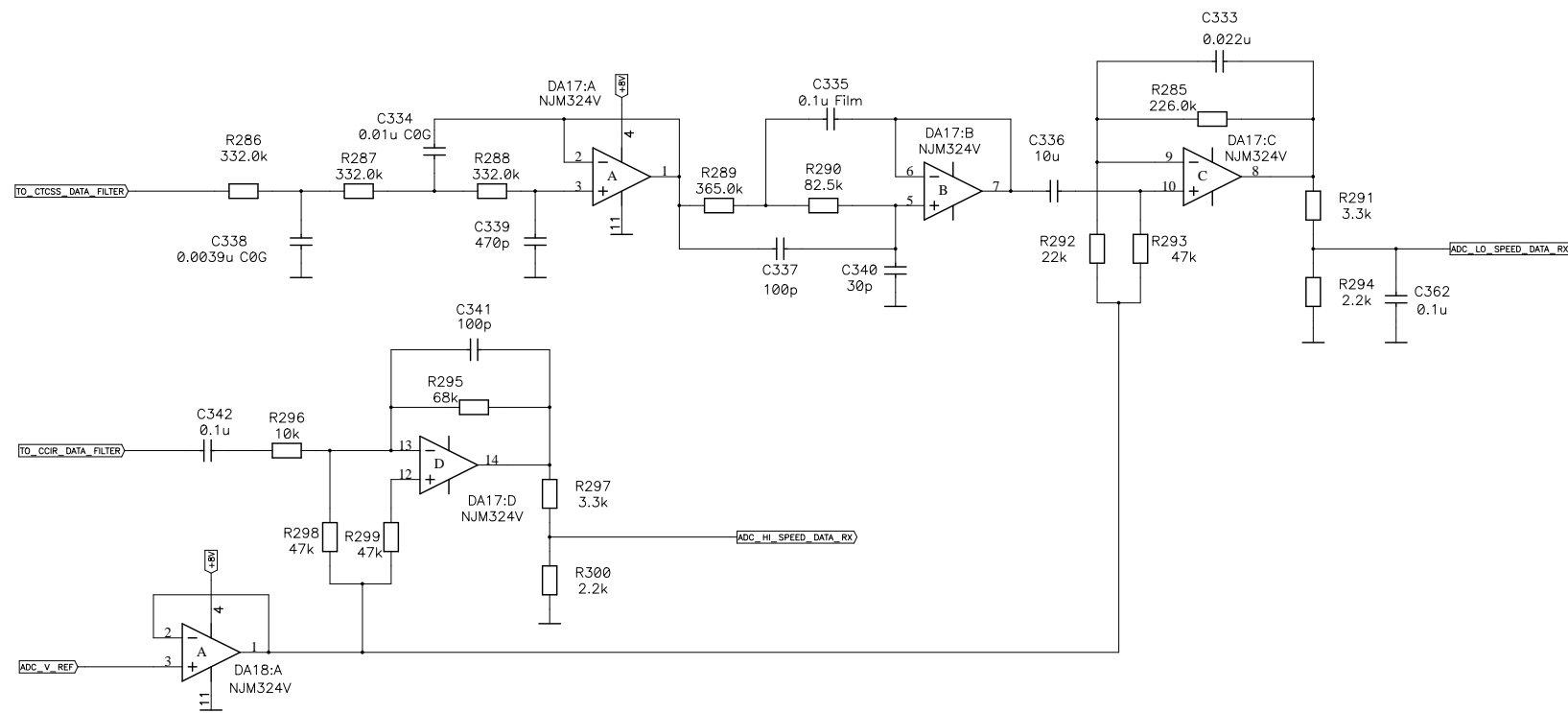
Title			HM435 Main Board		
Size	Number	Rev			
A2	POWER SUPPLY & I/O	1.1			
Date	Nov 20.2004	Drawn by	PCAD		
Filename	Hm435_40W.sch	Sheet	4	of	8



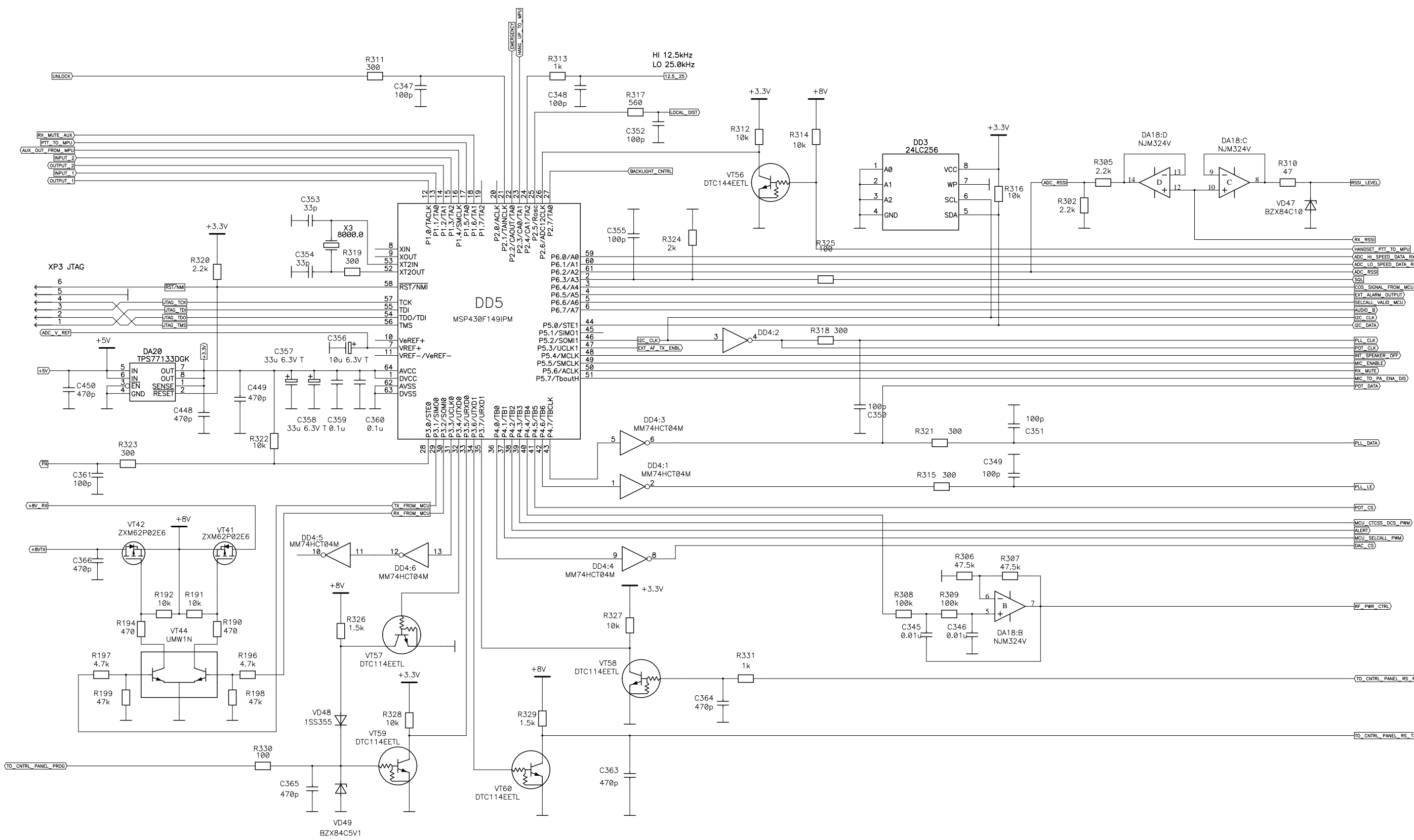
Title			HM435 Main Board		
Size	Number	Rev			
A2	MODULATION CONTROL	1.1			
Date	Nov 20.2004	Drawn by	PCAD		
Filename	hm435_40W.sch	Sheet	5	of 8	



Title		
HM435 Main Board		
Size	Number	Rev
A2	AUDIO	1.1
Date	Nov 20.2004	Drawn by PCAD
Filename	Hm435_40W.sch	Sheet 6 of 8



Title			HM435 Main Board		
Size	Number	ADC BUFFERS		Rev	1.1
Date	Nov 20.2004		Drawn by	PCAD	
Filename	Hm435_40W.sch		Sheet	7	of 8



Title			HM435 Main Board		
Size	Number	PROCESSOR		Rev	
A2				1.1	
Date	Nov 20.2004	Drawn by	PCAD		
Filename	Hm435_40W.sch	Sheet	8	of	8