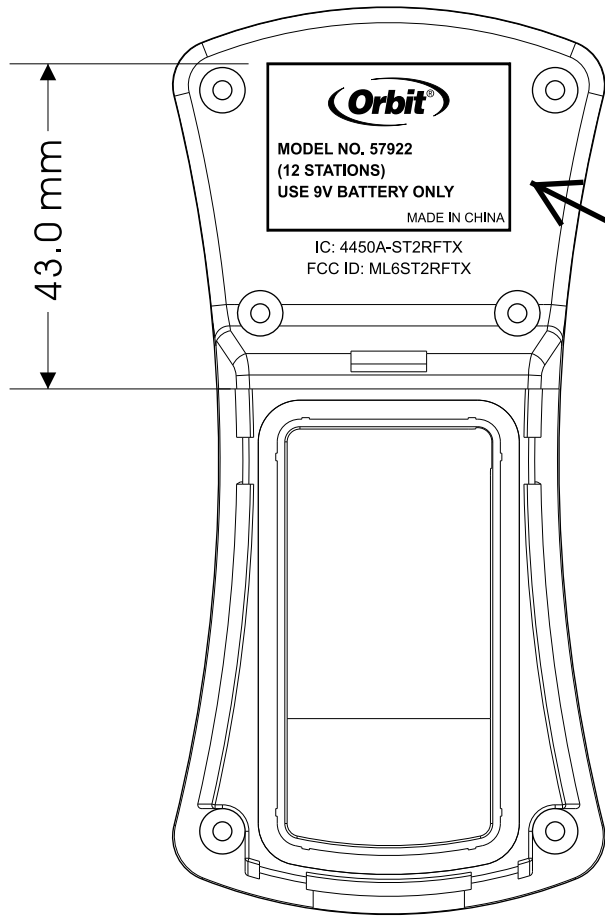
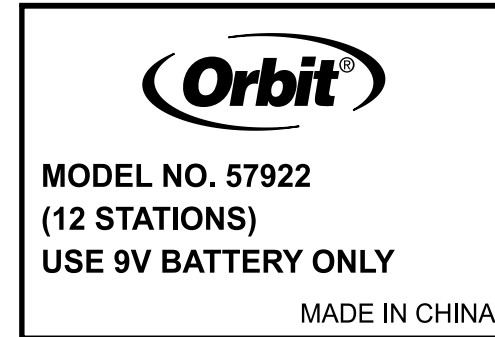


SCALE 1:1



Label location &
Label size: 31 x 21.5mm



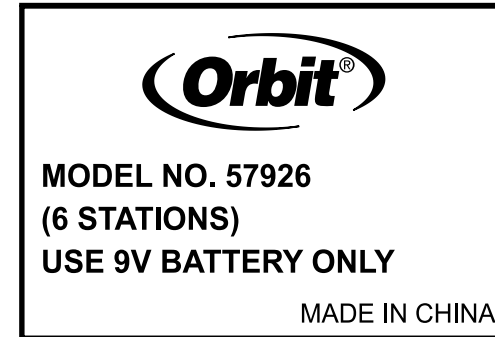
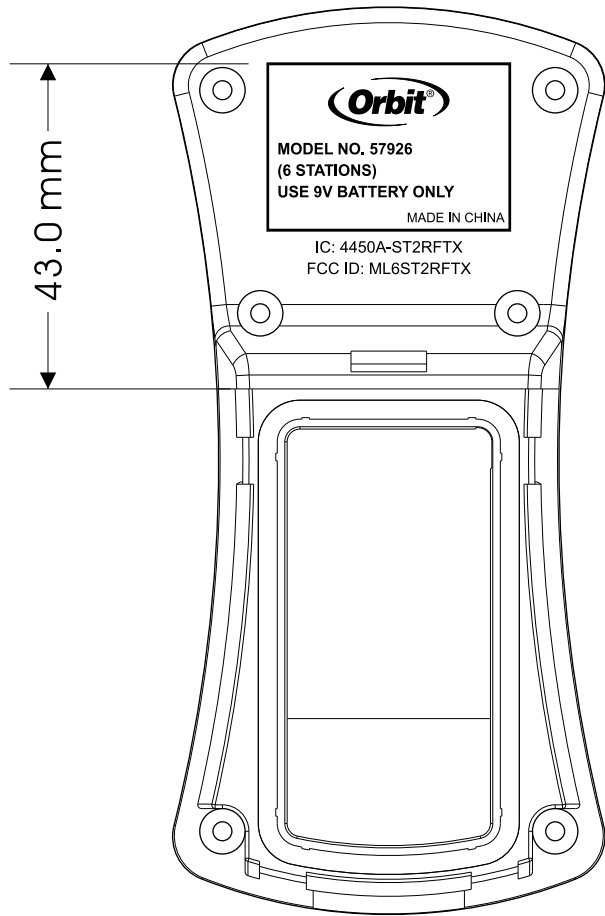
IC: 4450A-ST2RFTX
FCC ID: ML6ST2RFTX

Reduce to 50mm

Print White on Black background

PREPARED BY: Kenneth Kok	DATE: 01 FEB 07	MODEL: ST2RF Transmitter (57922)	COPY RIGHT © EME ALL RIGHTS RESERVED
PART NO.: P120ST2TX03	PAGE 1 OF 1	TITLE: REAR CABINET	EDWIN McAULEY ELECTRONICS LTD.

SCALE 1:1



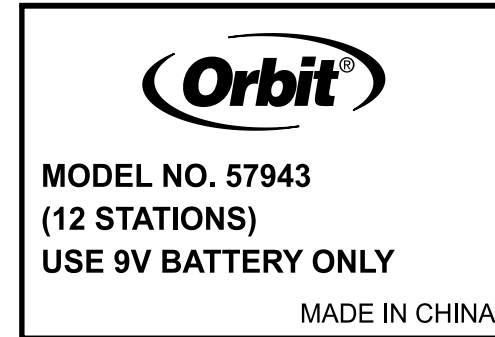
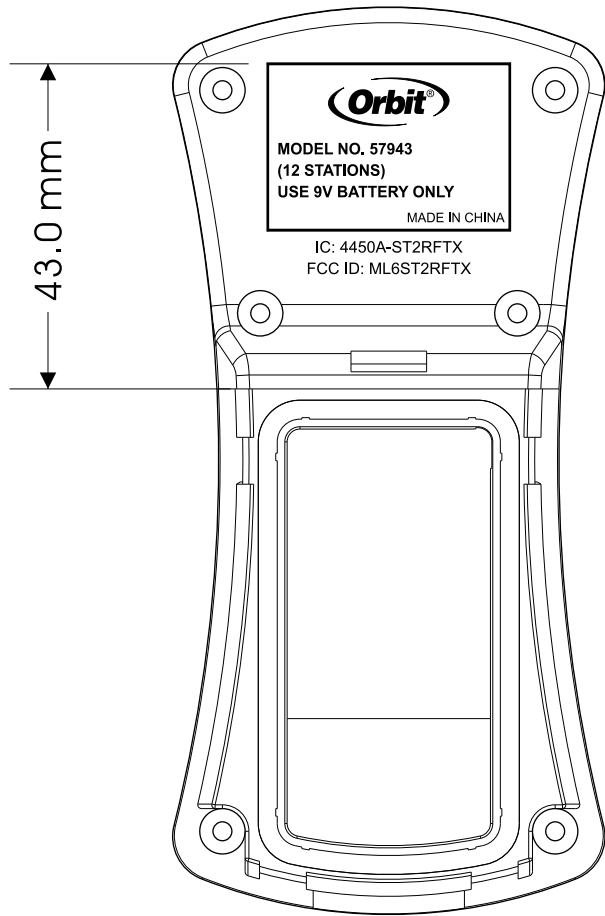
IC: 4450A-ST2RFTX
FCC ID: ML6ST2RFTX

Reduce to 50mm

Print White on Black background

PREPARED BY: Kenneth Kok	DATE: 01 FEB 07	MODEL: ST2RF Transmitter (57926)	COPY RIGHT © EME ALL RIGHTS RESERVED
PART NO.: P120ST2TX01	PAGE 1 OF 1	TITLE: REAR CABINET	EDWIN McAULEY ELECTRONICS LTD.

SCALE 1:1



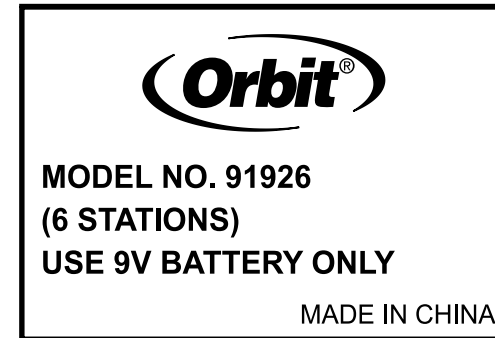
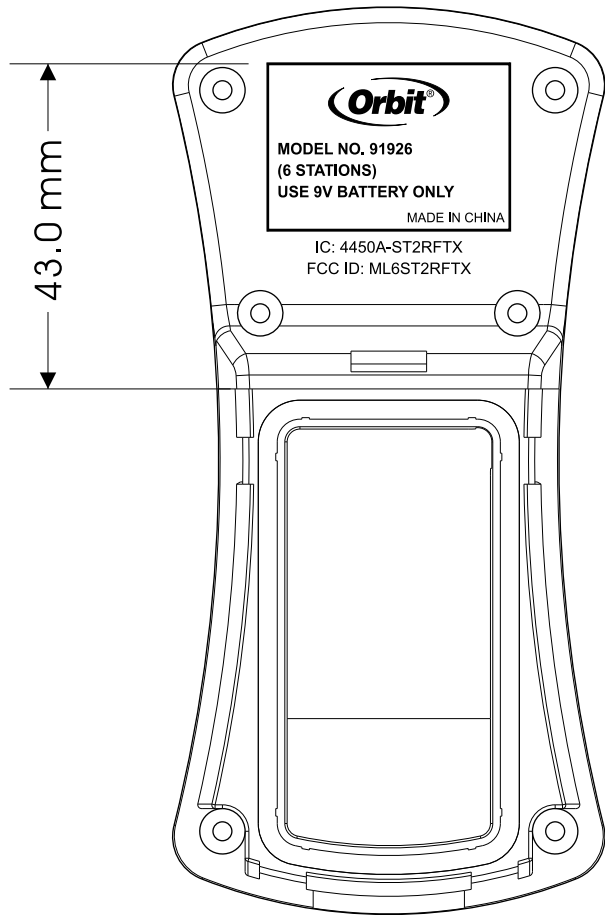
IC: 4450A-ST2RFTX
FCC ID: ML6ST2RFTX

Reduce to 50mm

Print White on Black background

PREPARED BY: Kenneth Kok	DATE: 01 FEB 07	MODEL: ST2RF Transmitter (57943)	COPY RIGHT © EME ALL RIGHTS RESERVED
PART NO.: P120ST2TX12	PAGE 1 OF 1	TITLE: REAR CABINET	EDWIN McAULEY ELECTRONICS LTD.

SCALE 1:1



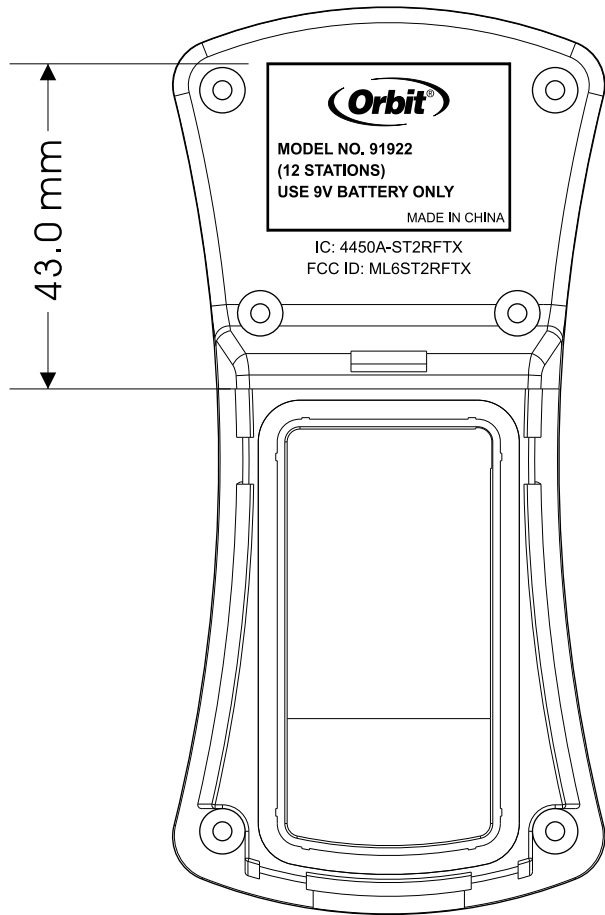
IC: 4450A-ST2RFTX
FCC ID: ML6ST2RFTX

Reduce to 50mm

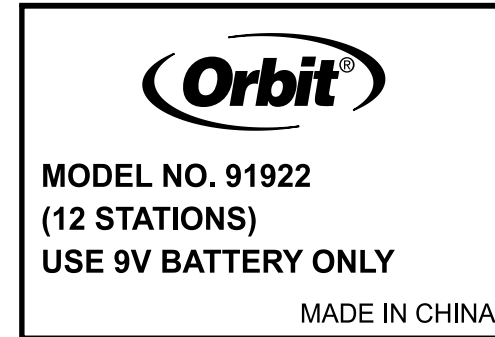
Print White on Grey background

PREPARED BY: Kenneth Kok	DATE: 29 Mar 07	MODEL: ST2RF Transmitter (91926)	COPY RIGHT © EME ALL RIGHTS RESERVED
PART NO.: P120ST2TX00	PAGE 1 OF 1	TITLE: REAR CABINET	EDWIN McAULEY ELECTRONICS LTD.

SCALE 1:1



Print White on Grey background

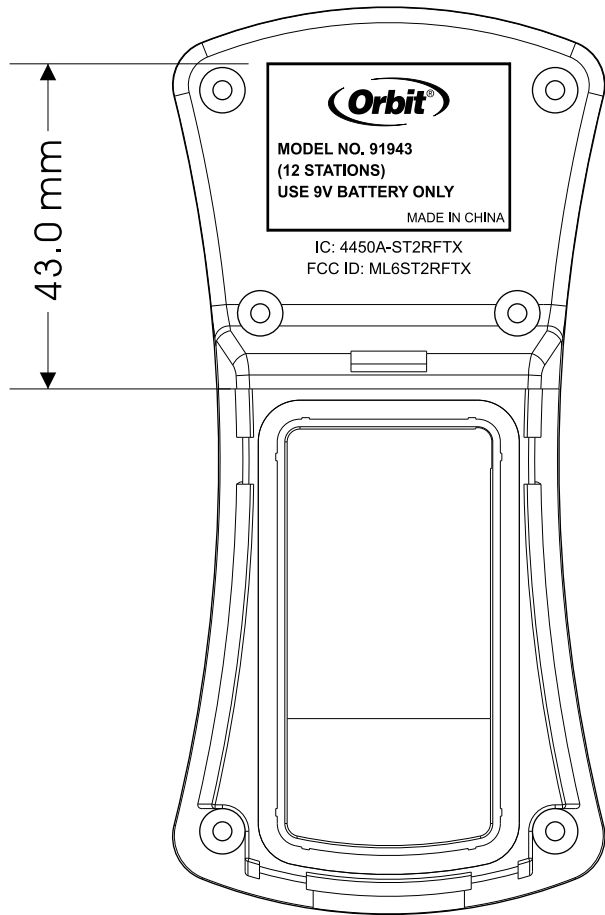


IC: 4450A-ST2RFTX
FCC ID: ML6ST2RFTX

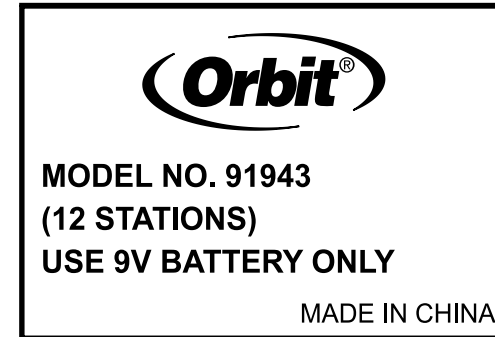
Reduce to 50mm

PREPARED BY: Kenneth Kok	DATE: 29 Mar 07	MODEL: ST2RF Transmitter (91922)	COPY RIGHT © EME ALL RIGHTS RESERVED
PART NO.: P120ST2TX02	PAGE 1 OF 1	TITLE: REAR CABINET	EDWIN McAULEY ELECTRONICS LTD.

SCALE 1:1



Print White on Black background



IC: 4450A-ST2RFTX
FCC ID: ML6ST2RFTX

Reduce to 50mm

PREPARED BY: Kenneth Kok	DATE: 29 Mar 07	MODEL: ST2RF Transmitter (91943)	COPY RIGHT © EME ALL RIGHTS RESERVED
PART NO.: P120ST2TX13	PAGE 1 OF 1	TITLE: REAR CABINET	EDWIN McAULEY ELECTRONICS LTD.