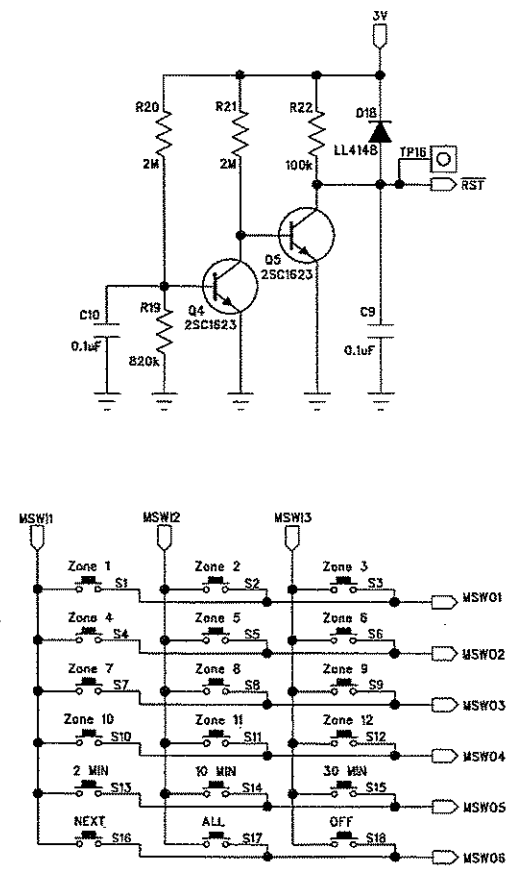
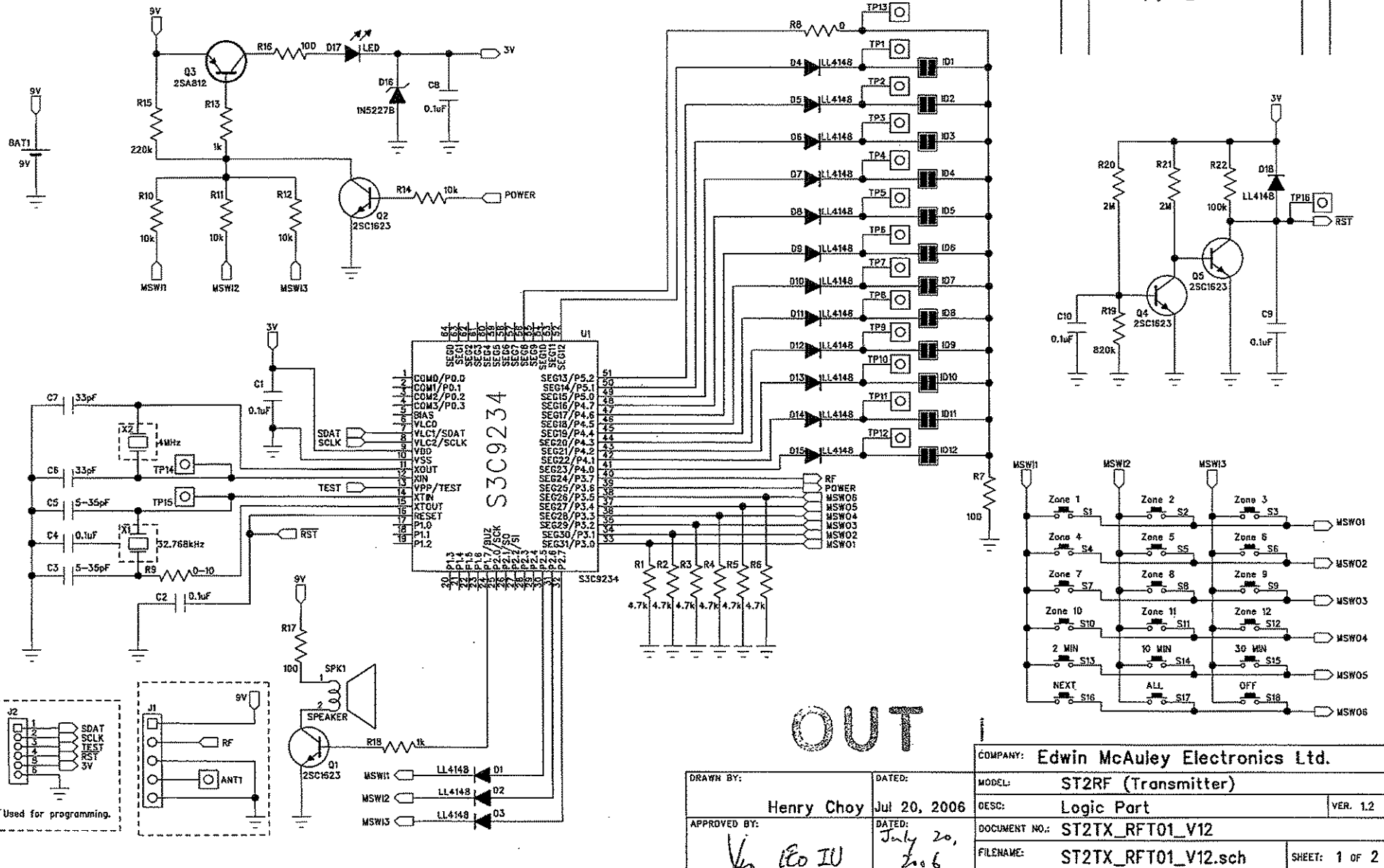


1 2 3 4 5 6

A
B
C
D

REVISION RECORD			
VER.	DETAIL	LOC.	DATE
1.0	First Release.		20050819
1.1	Change the value of R1 to R7		20060412
1.2	Refer to page RF_MODULE		20060720



OUT

COMPANY: Edwin McAuley Electronics Ltd.		MODEL: ST2RF (Transmitter)	
DRAWN BY: Henry Choy		DESC: Logic Part	
DATED: Jul 20, 2006		DOCUMENT NO.: ST2TX_RFT01_V12	
APPROVED BY: <i>V. Eo IU</i>		FILENAME: ST2TX_RFT01_V12.sch	
DATED: July 20, 2006		SHEET: 1 OF 2	

□ Distribution: GODCC

COPYRIGHT BY EME
ALL RIGHT RESERVED

EMEA3SCH.SCH

1

2

3

4

5

6

A

B

C

D

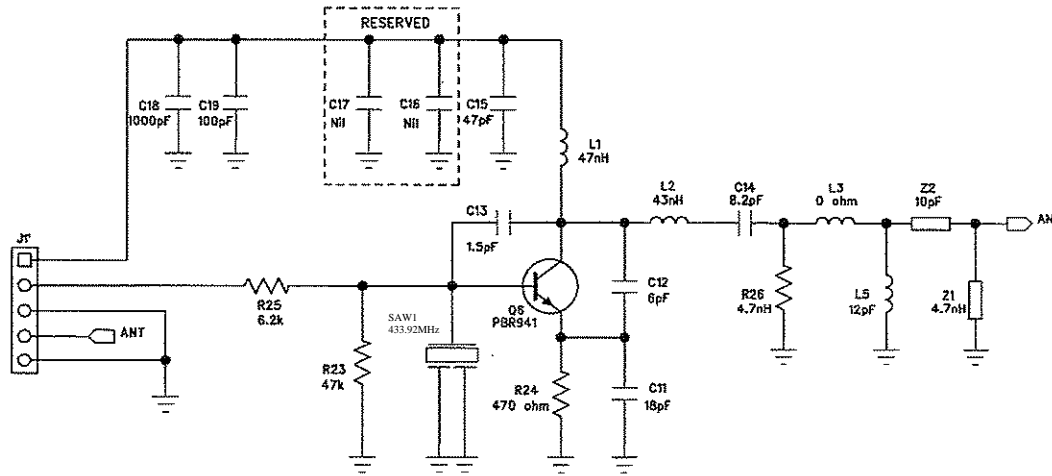
A

B

C

D

REVISION RECORD			
VER.	DETAIL	LOG.	DATE
V1.2	R25 change to 6.2K R24 change to 470 ohm C11 change to 18pF C12 change to 6pF C13 change to 1.5pF C14 change to 8.2pF C15 change to 47pF L1 change to 47nH L2 change to 43nH L3 change to 0 ohm Z2,L5 change to 10pF R25,Z1 Add be 4.7nH Add C18 be 1000pF Add C19 be 100pF Delete C17,C16		20060720



COMPANY: Edwin McAuley Electronics Ltd.		VER. 1.2	
DRAWN BY: Henry Choy		DATED: Jul 20, 2006	
MODEL: ST2RF (Transmitter)		DESC: RF Module	
APPROVED BY: <i>V. IEO II</i>		DATED: July 20, 2006	
DOCUMENT NO.: ST2TX_RFT01_V12		FILENAME: ST2TX_RFT01_V12.SCH	
SHEET: 2 OF 2			