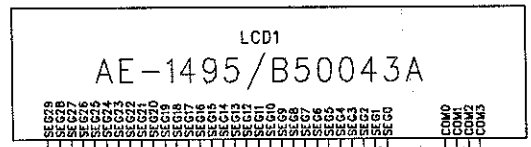


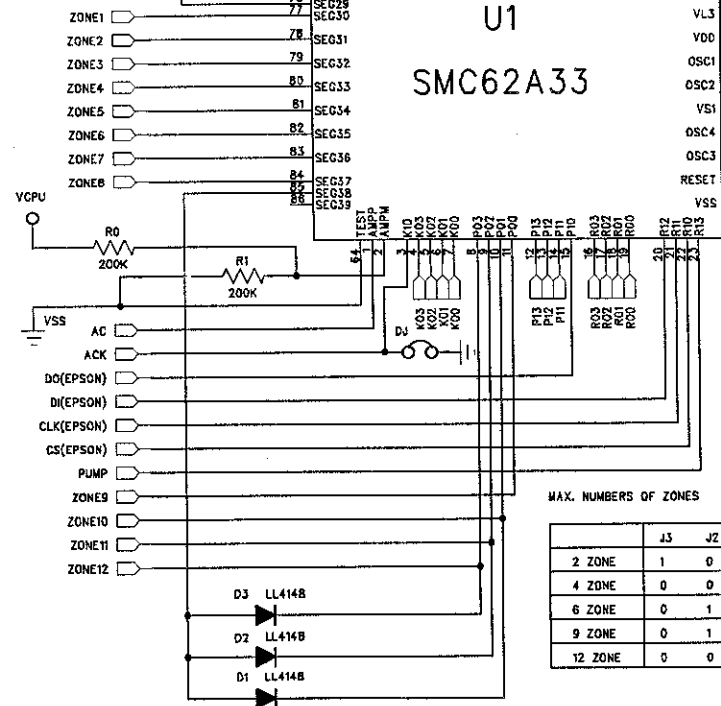
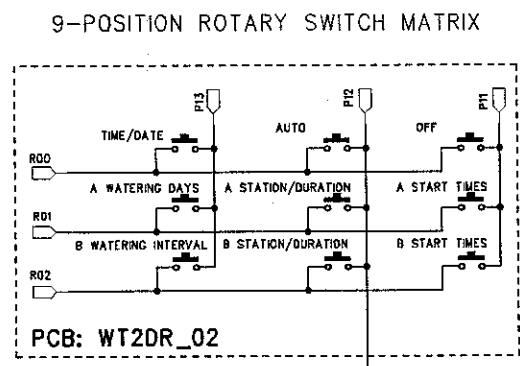
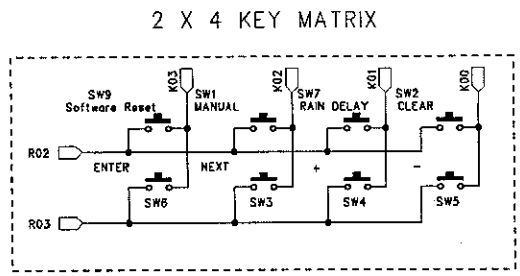
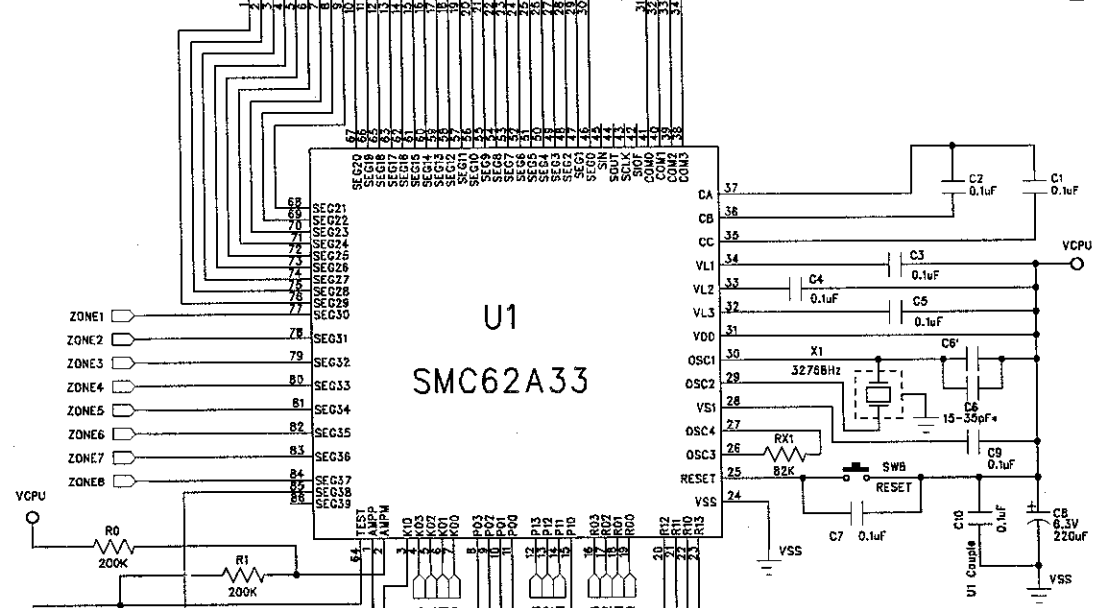
1 2 3 4 5 6

A
B
C
D



PCB: WT2DR_01

REVISION RECORD		
VER.	DETAIL	LOC. DATE
1.1	Part No. D1 & D3 was exchanged	09/01/97
1.2	Added Rx1,C18,D1,Sw9 Shorted J1,J2,J3	25/09/97
1.3	U1 was changed to SMC62A33	29/10/97
1.4	1. C18 changed to C6'	07/01/98
1.5	1. Reset Schematic was removed.	30/07/98
1.6	RF Receiver Part Modification	15/12/98



EEPROM STATE	ACK	DS
READY	0	0
BUSY (ESPON IN USE)	0	1
BUSY (PIC IN USE)	1	1
RF COMMAND BUSY	1	0

Power ON/OFF Detection	
$V_p > V_{cpu}/2$	Power ON
$V_p < V_{cpu}/2$	Power OFF

MAX. NUMBERS OF ZONES

	J3	J2	J1
2 ZONE	1	0	0
4 ZONE	0	0	1
6 ZONE	0	1	0
9 ZONE	0	1	1
12 ZONE	0	0	0

DRAWN BY: Leo lu	DATED: 15/12/98	COMPANY: Edwin McAuley Electronics Ltd.
APPROVED BY:	DATED:	PRODUCT ID: WT2DC
		DESC: WT2DC Logic Schematic
		FILENAME: WT2DC_V6.SCH
		VER.: 1.6
		SHEET: 1 OF 4
		SIZE: A3

1

2

3

4

5

6

A

B

C

D

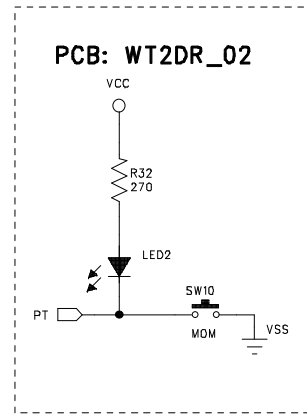
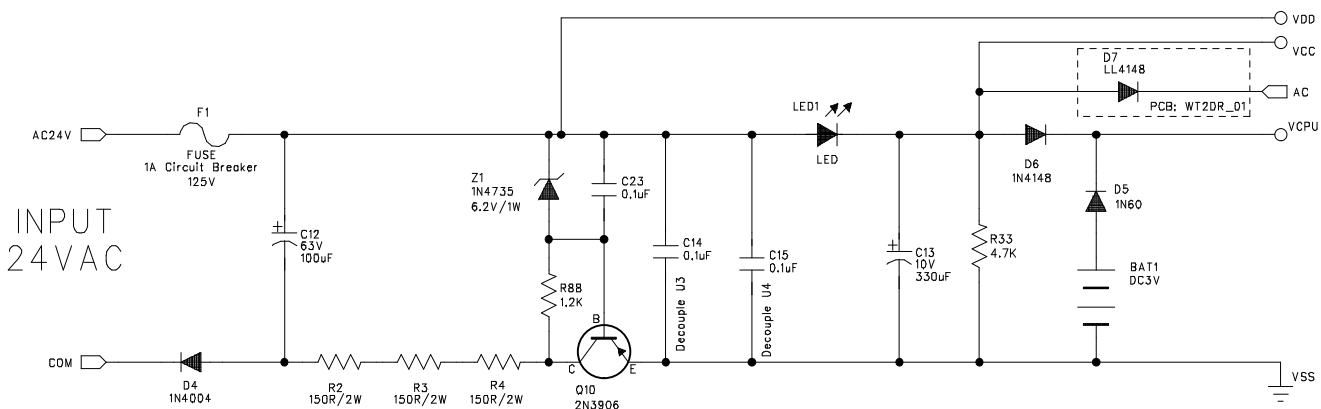
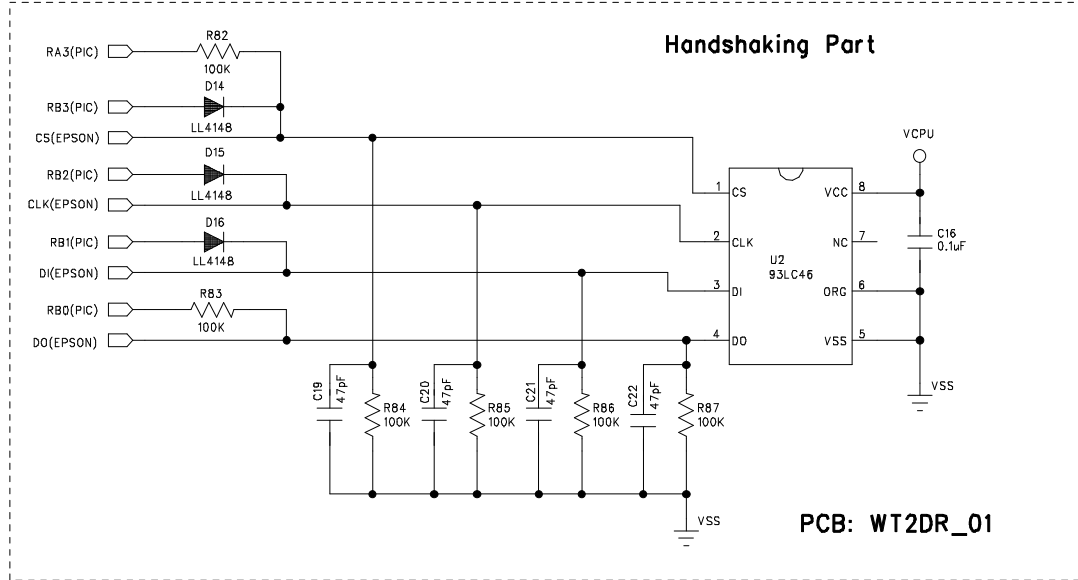
A

B

C

D

REVISION RECORD			
VER.	DETAIL	LOC.	DATE
1.6	The super-regenerative receiver was changed to heterodyne receiver. The receiver part was removed from the power board. The new receiver board was added.		080299



DRAWN BY: Leo lu	DATED: 08-02-99	COMPANY: Edwin McAuley Electronics Ltd.	
APPROVED BY:	DATED:	PRODUCT ID: WT2DC	
		DESC: WT2DC Power Schematic	SIZE: A3
		FILENAME: WT2DCV16.SCH	VER.: 1.6 SHEET: 3 OF 4

COPYRIGHT BY EME ALL RIGHT RESERVED

EMEA3SCH.SCH

1

2

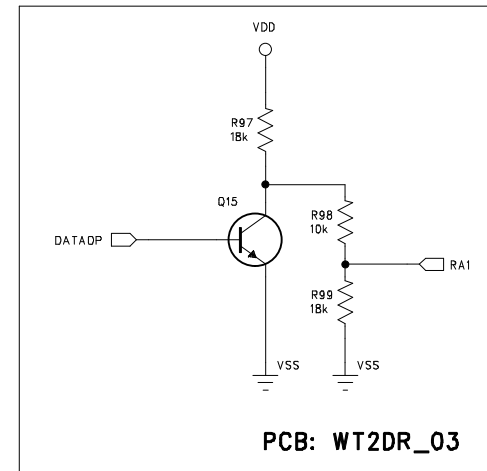
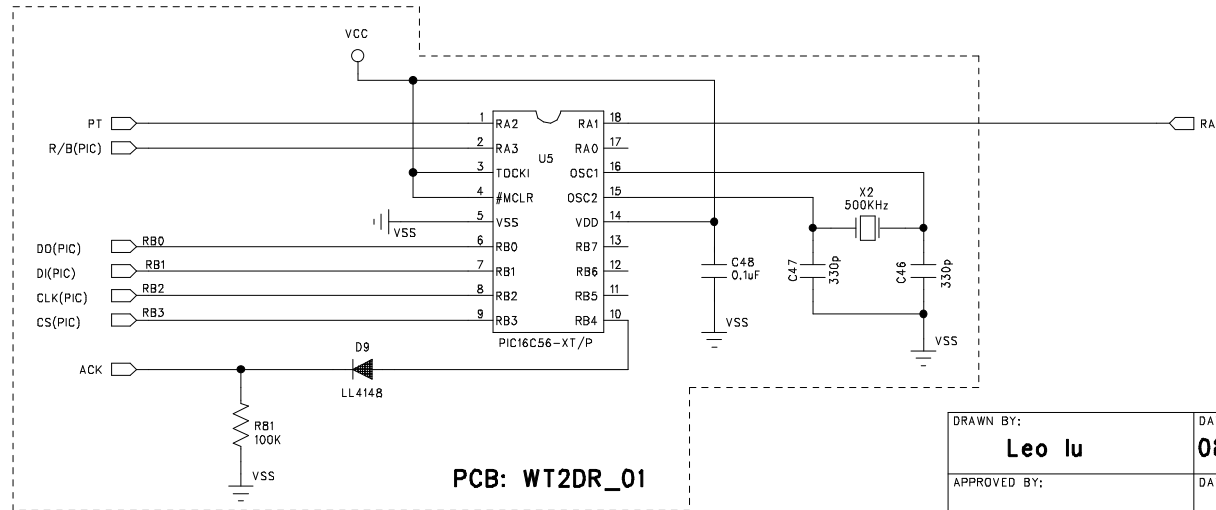
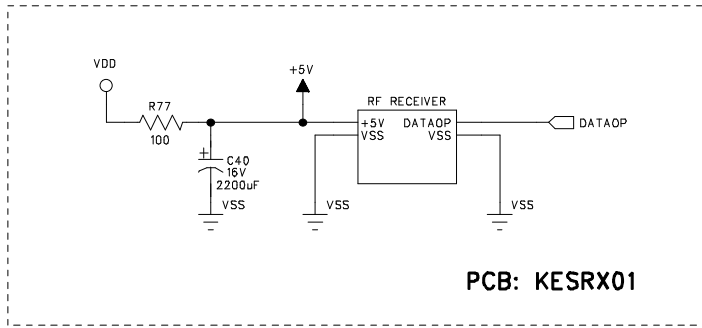
3

4

5

6

REVISION RECORD			
VER.	DETAIL	LOC.	DATE
1.6	The super-regenerative receiver was changed to heterodyne receiver. The receiver part was removed from the power board. The new receiver board was added.		080299



DRAWN BY: Leo lu	DATED: 08-02-99	COMPANY: Edwin McAuley Electronics Ltd.	
APPROVED BY:	DATED:	PRODUCT ID: WT2DC	SIZE: A3
		DESC: WT2DC RF CONTROL PART	
		FILENAME: WT2DCV16.SCH	VER. 1.6 SHEET: 4 OF 4

1

2

3

4

5

6

REVISION RECORD			
VER.	DETAIL	LOC.	DATE
1.0	First Release		080299

A

A

B

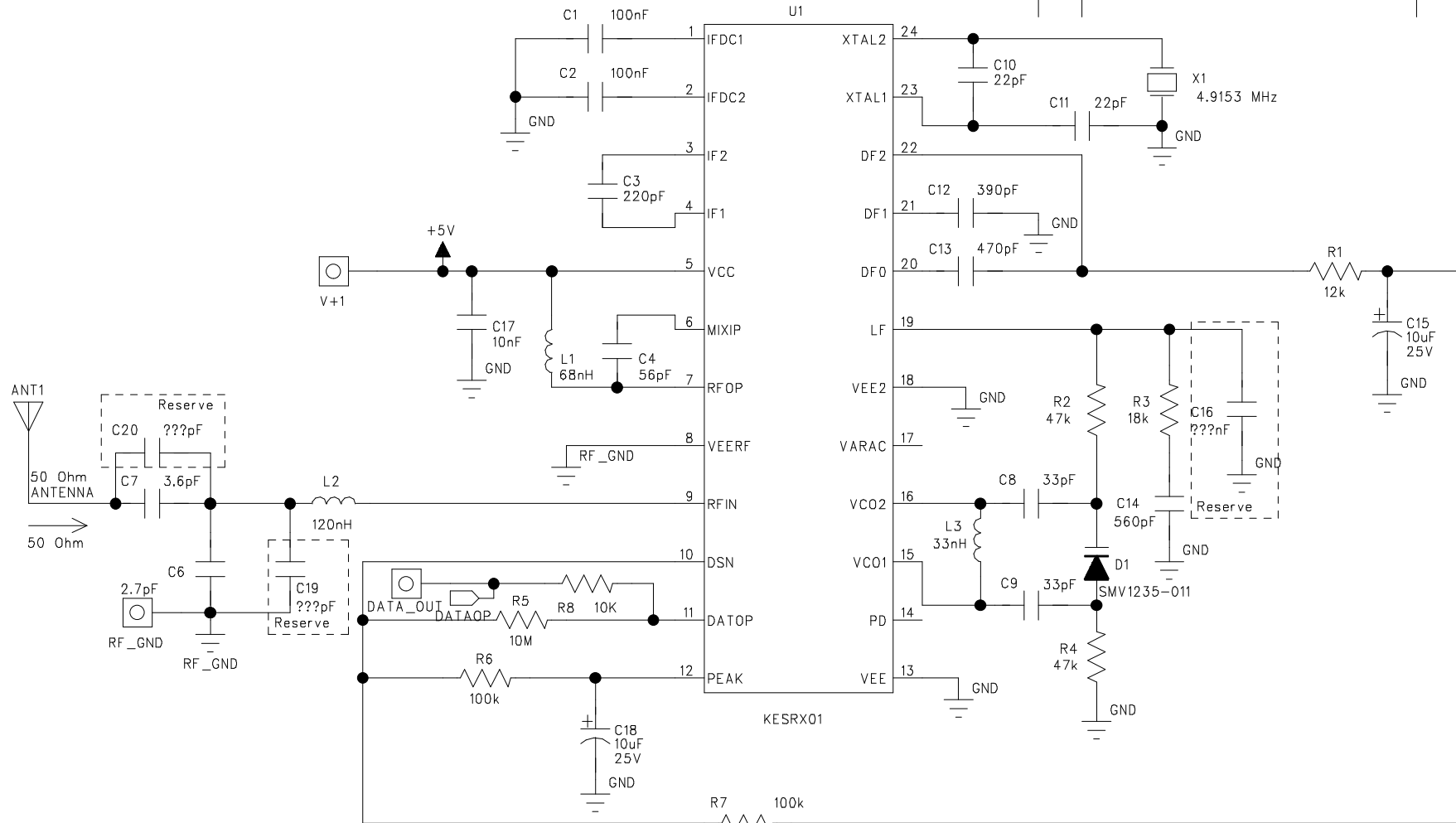
B

C

C

D

D

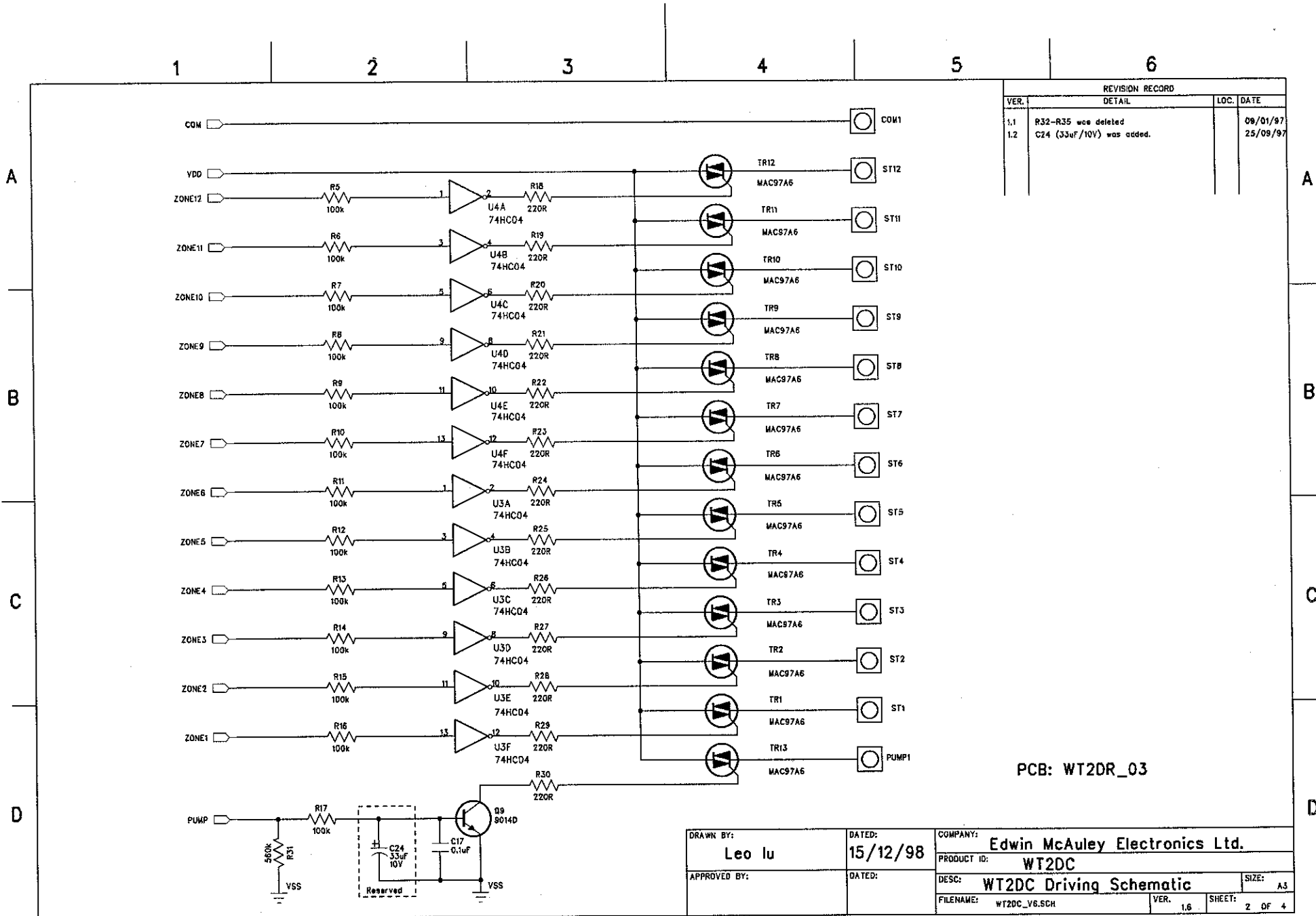


Distribution: Etronics

DRAWN BY: Leo lu	DATED: 8 February, 1999	COMPANY: Edwin McAuley Electronics Ltd.	
APPROVED BY:	DATED:	PRODUCT ID: WT2DC	
		DESC: WT2DC 315MHz ASK RF Receiver Section	SIZE: A4
		FILENAME: 315RFV10.SCH	VER. 1.0 SHEET: 1 OF 1

COPYRIGHT BY EME
ALL RIGHT RESERVED

EMEA4SCH.SCH



REVISION RECORD			
VER.	DETAIL	LOC.	DATE
1.1	R32-R35 was deleted		09/01/97
1.2	C24 (33uF/10V) was added.		25/09/97

PCB: WT2DR_03

DRAWN BY: Leo lu	DATED: 15/12/98	COMPANY: Edwin McAuley Electronics Ltd.	
APPROVED BY:	DATED:	PRODUCT ID: WT2DC	SIZE: A3
		DESC: WT2DC Driving Schematic	
		FILENAME: WT2DC_V6.SCH	VER.: 1.6
		SHEET: 2 OF 4	