

1

2

3

4

5

6

REVISION RECORD			
VER.	DETAIL	LOC.	DATE
1.6	The super-regenerative receiver was changed to heterodyne receiver. The receiver part was removed from the power board. The new receiver board was added.		080299

LCD1
AE-1495/B50043A

PCB: WT2DR_01

A

A

B

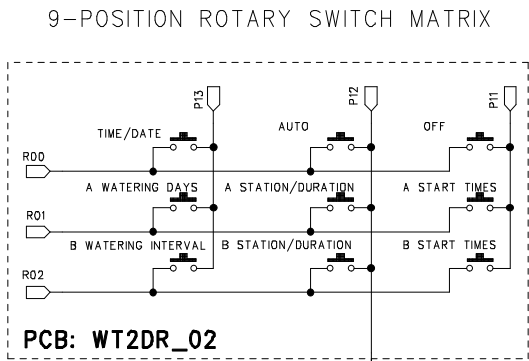
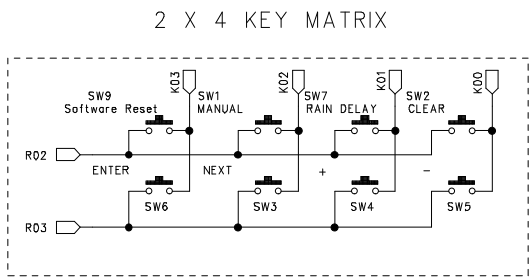
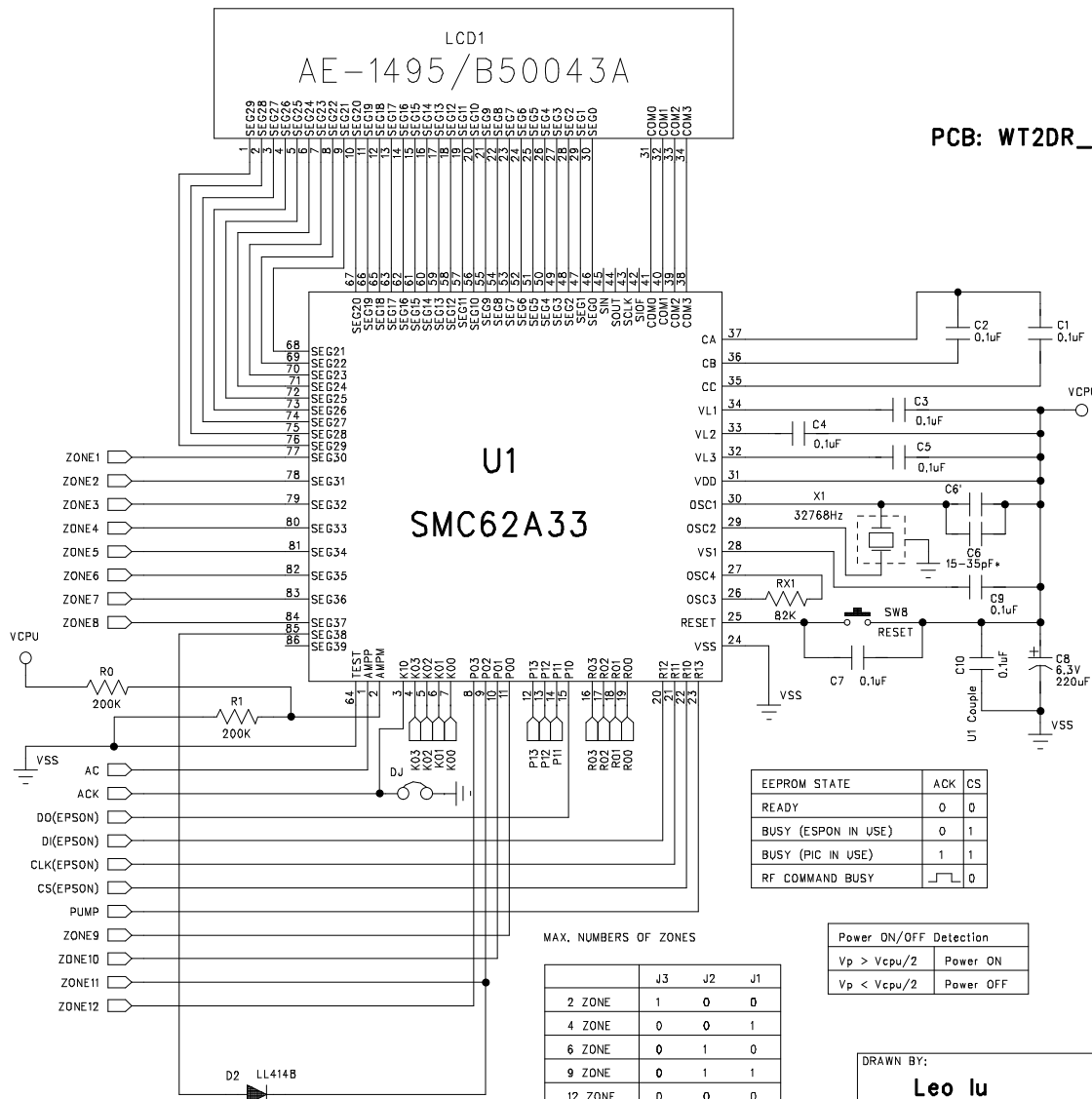
B

C

C

D

D



EEPROM STATE	ACK	CS
READY	0	0
BUSY (ESPON IN USE)	0	1
BUSY (PIC IN USE)	1	1
RF COMMAND BUSY		

Power ON/OFF Detection	
Vp > Vcpu/2	Power ON
Vp < Vcpu/2	Power OFF

MAX. NUMBERS OF ZONES

	J3	J2	J1
2 ZONE	1	0	0
4 ZONE	0	0	1
6 ZONE	0	1	0
9 ZONE	0	1	1
12 ZONE	0	0	0

DRAWN BY: Leo lu	DATED: 08-02-99	COMPANY: Edwin McAuley Electronics Ltd.
APPROVED BY:	DATED:	PRODUCT ID: WT2DC
		DESC: WT2DC Logic Schematic
FILENAME: WT2DCV16.SCH		SIZE: A3
VER. 1.6		SHEET: 1 OF 4

1

2

3

4

5

6

A

B

C

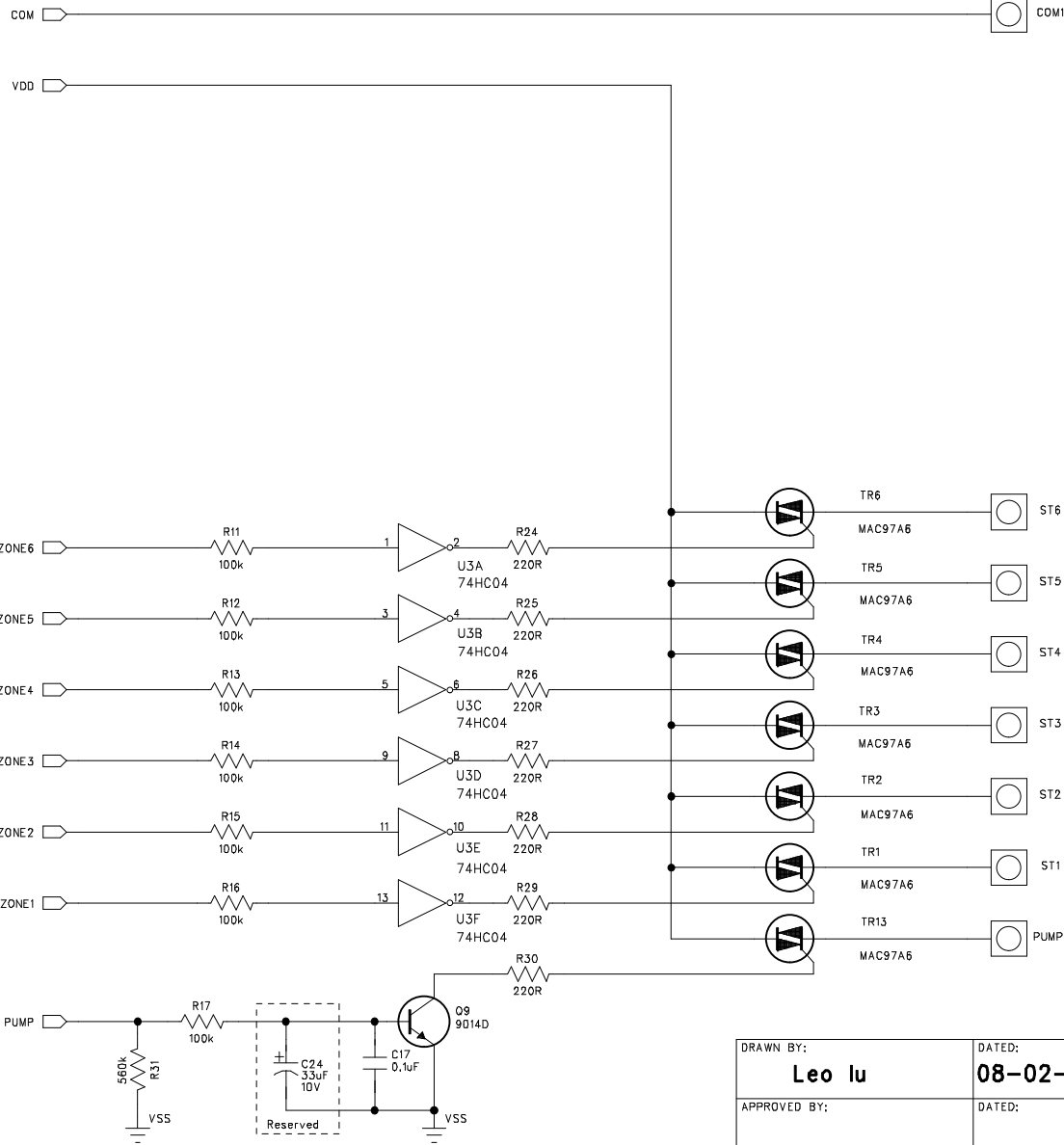
D

A

B

C

D



REVISION RECORD			
VER.	DETAIL	LOC.	DATE
1.6	The super-regenerative receiver was changed to heterodyne receiver. The receiver part was removed from the power board. The new receiver board was added.		080299

PCB: WT2DR_03

DRAWN BY: Leo lu	DATED: 08-02-99	COMPANY: Edwin McAuley Electronics Ltd.	
APPROVED BY:	DATED:	PRODUCT ID: WT2DC	SIZE: A3
		DESC: WT2DC Driving Schematic	
		FILENAME: WT2DCV16.SCH	VER.: 1.6 SHEET: 2 OF 4

1

2

3

4

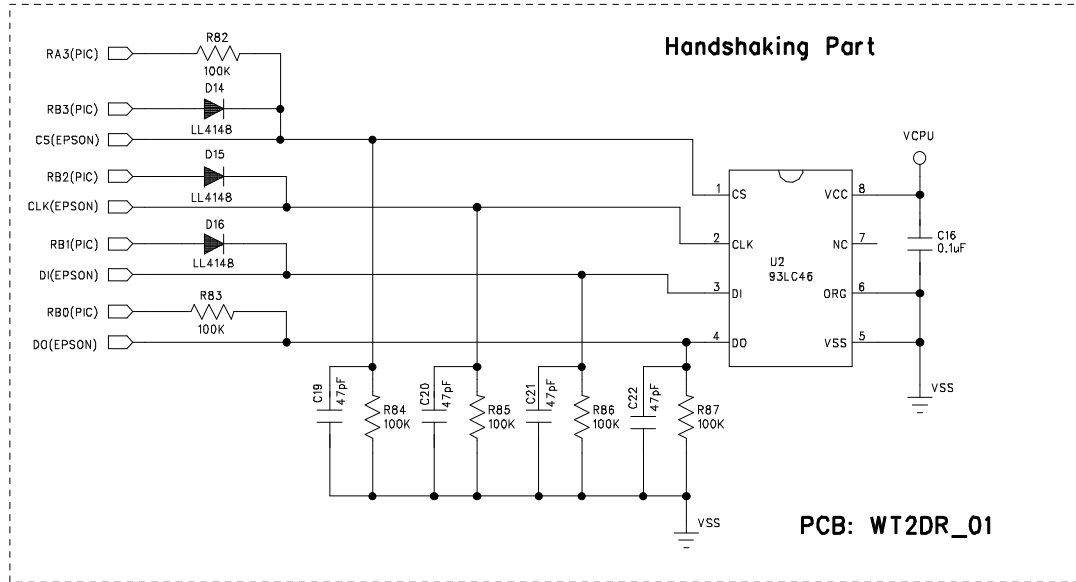
5

6

REVISION RECORD			
VER.	DETAIL	LOC.	DATE
1.6	The super-regenerative receiver was changed to heterodyne receiver. The receiver part was removed from the power board. The new receiver board was added.		080299

A

A

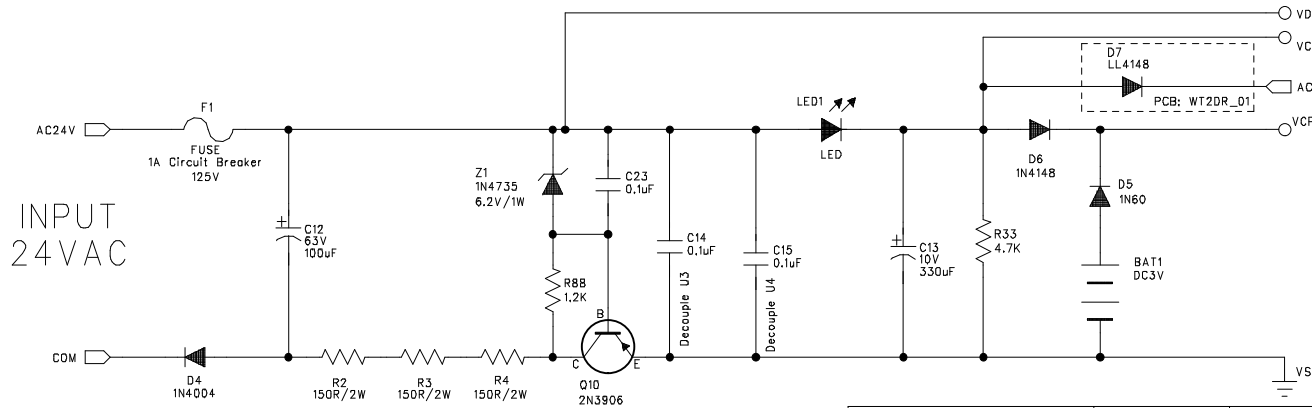


B

B

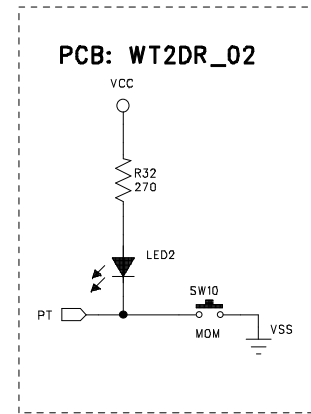
C

C



D

D



PCB: WT2DR_03

DRAWN BY: Leo lu	DATED: 08-02-99	COMPANY: Edwin McAuley Electronics Ltd.	
APPROVED BY:	DATED:	PRODUCT ID: WT2DC	SIZE: A3
DESC: WT2DC Power Schematic		FILENAME: WT2DCV16.SCH	SHEET: 3 OF 4
		VER.: 1.6	

COPYRIGHT BY EME
ALL RIGHT RESERVED

EMEA3SCH.SCH

1

2

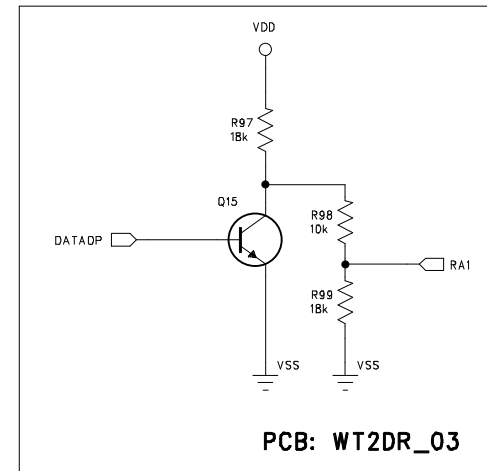
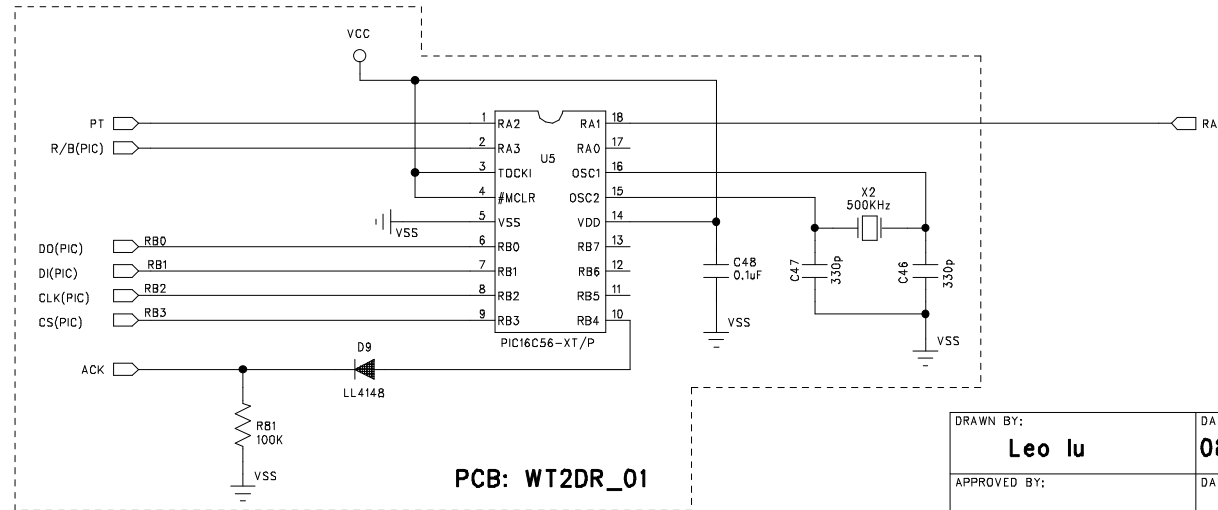
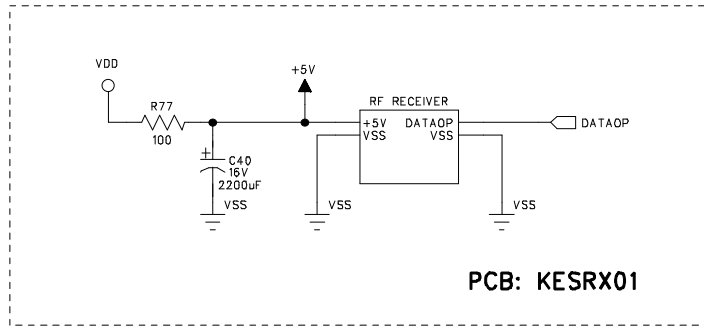
3

4

5

6

REVISION RECORD			
VER.	DETAIL	LOC.	DATE
1.6	The super-regenerative receiver was changed to heterodyne receiver. The receiver part was removed from the power board. The new receiver board was added.		080299



DRAWN BY: Leo lu	DATED: 08-02-99	COMPANY: Edwin McAuley Electronics Ltd.	
APPROVED BY:	DATED:	PRODUCT ID: WT2DC	SIZE: A3
		DESC: WT2DC RF CONTROL PART	
		FILENAME: WT2DCV16.SCH	VER. 1.6 SHEET: 4 OF 4

1

2

3

4

5

6

REVISION RECORD			
VER.	DETAIL	LOC.	DATE
1.0	First Release		080299

A

A

B

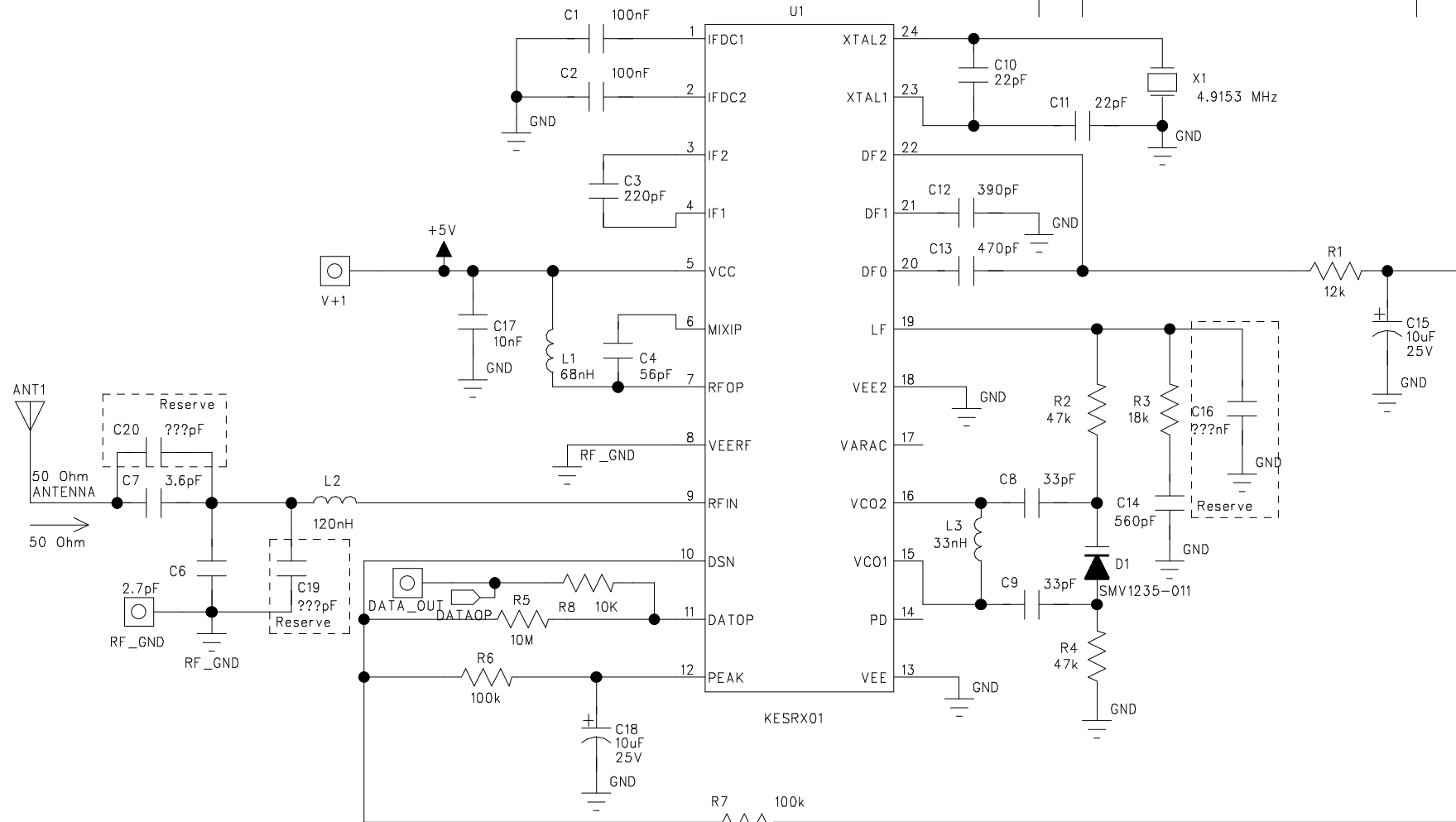
B

C

C

D

D



Distribution: Etronics

DRAWN BY: Leo lu	DATED: 8 February, 1999	COMPANY: Edwin McAuley Electronics Ltd.	
APPROVED BY:	DATED:	PRODUCT ID: WT2DC	
		DESC: WT2DC 315MHz ASK RF Receiver Section	SIZE: A4
		FILENAME: 315RFV10.SCH	VER. 1.0 SHEET: 1 OF 1

COPYRIGHT BY EME
ALL RIGHT RESERVED

EMEA4SCH.SCH