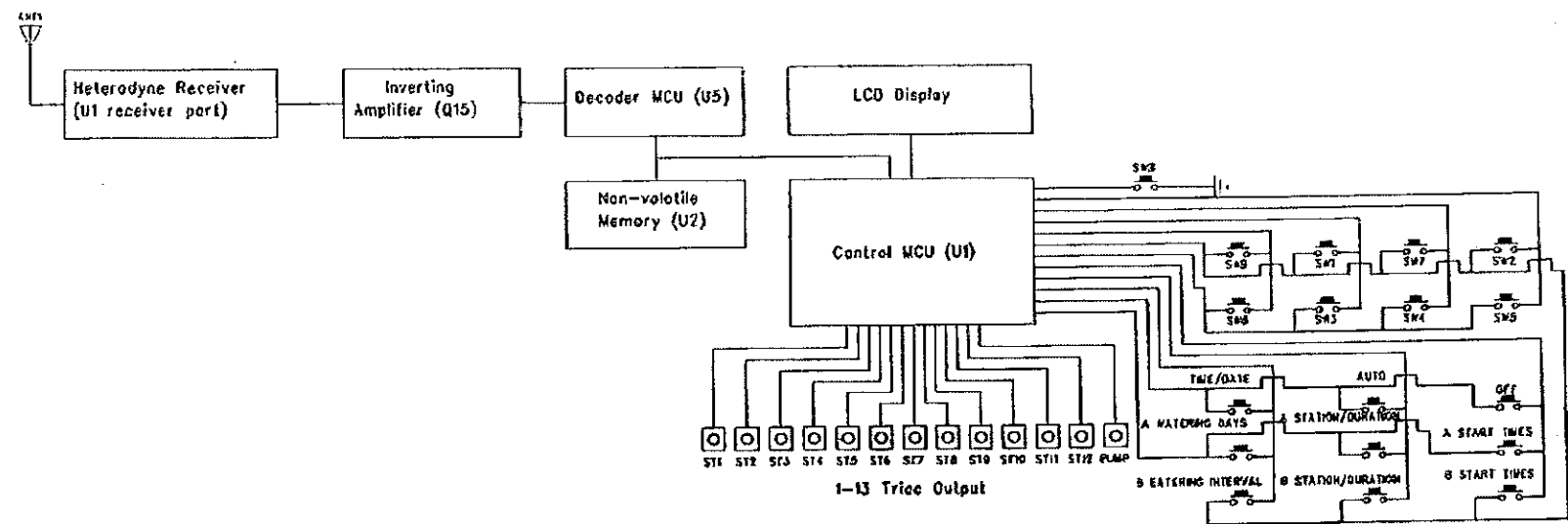


REVISION RECORD		
VER.	DETAIL	LOC. DATE
1.0	FIRST RELEASE	110299
L1	SIMPLIFIER BLOCK DIAGRAM	230299



DRAWN BY:	DATE:	COMPANY:	Edwin McAuley Electronics Ltd.	
Leo lu	23 Feb, 99	PRODUCT ID:	WT2DC	
APPROVED BY:	DATE:	DESC:	BLOCK DIAGRAM OF WT2DC	SHEET: A3
		FILENAME:	WT2DCRX1.SCH	VER. 1.1 SHEET: 1 of 1

COPYRIGHT BY EME
ALL RIGHT RESERVED

EMEALESCHSCH

P. 2/2

TOTAL P. 002