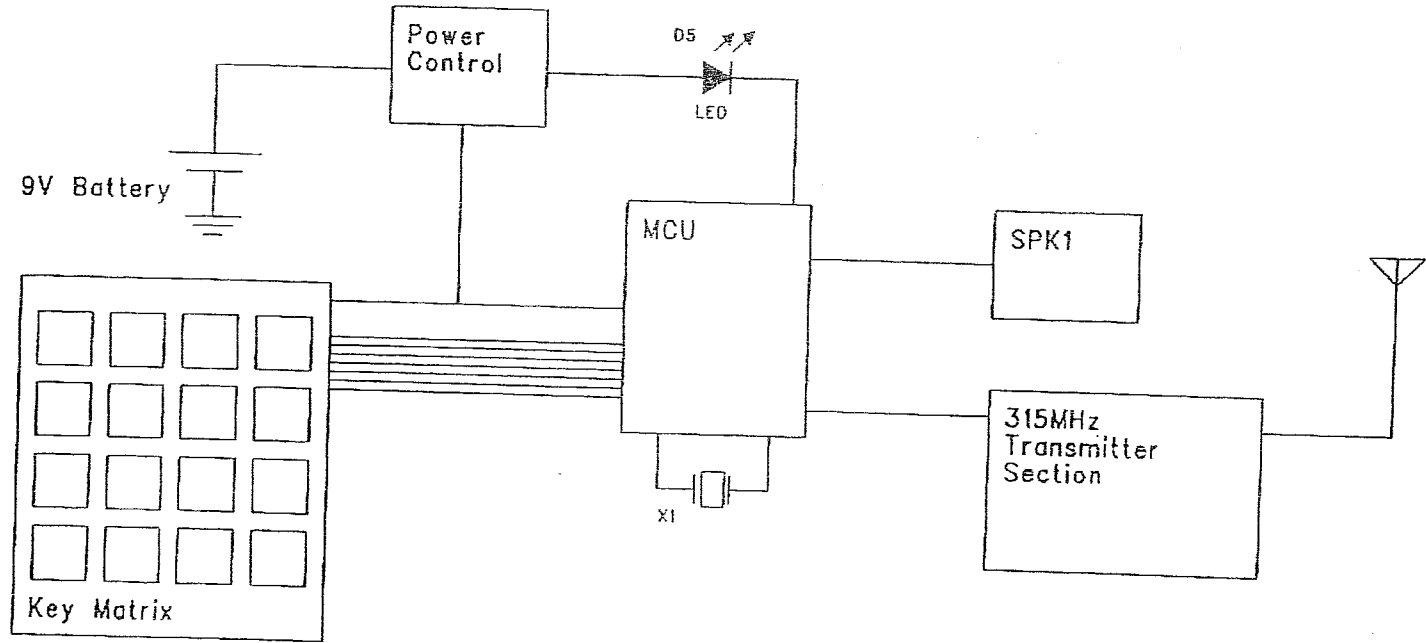


REVISION RECORD			
VER.	DETAIL	LOC.	DATE
1.0	First Release		20021113



DRAWN BY:		DATED:		COMPANY: Edwin McAuley Electronics Ltd.	
Leo lu		Nov 13, 2002		PRODUCT ID: WT2RF Transmitter	
APPROVED BY:		DATED:		DESC: Block Diagram of WT2RF Transmitter	
				VER. 1.0	
FILENAME: WT2RF_TX.SCH				SHEET: 1 OF 1	

Distribution:

COPYRIGHT BY EME
ALL RIGHT RESERVED

EMEA4SCH.SCH

+852 2856 3010 P.002/003

EDWIN MCAULEY ELECT LTD

14-NOV-2002 10:25

P.02

96%

+852 2856 3010

14-NOV-2002 10:31