

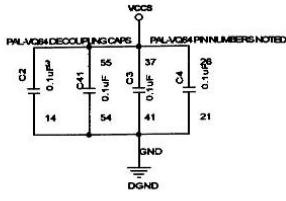
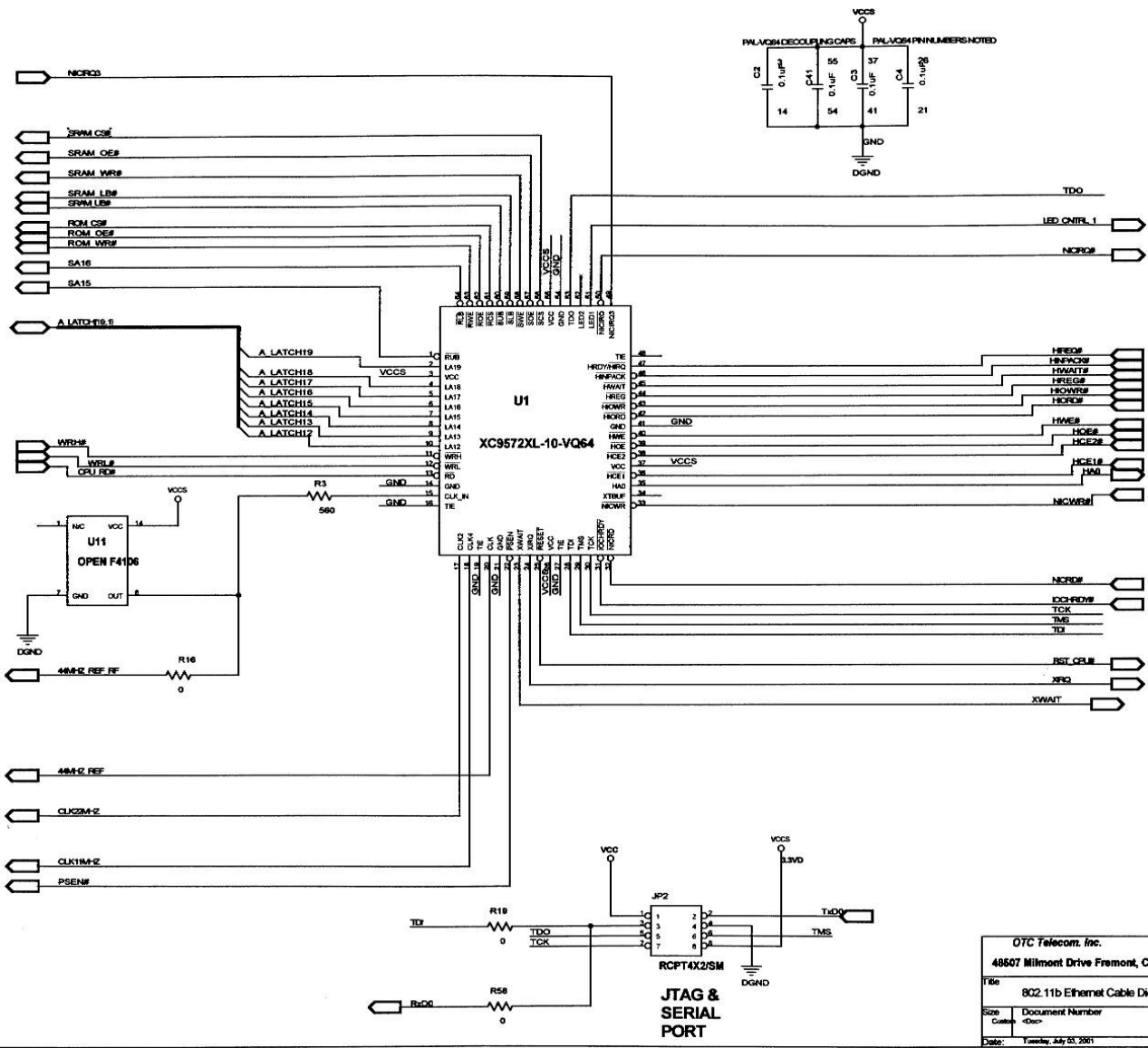
OTC Telecom, Inc.  
 48507 Millmont Drive Fremont, CA 94538

Title: 802.11b Ethernet Cable Digital Board

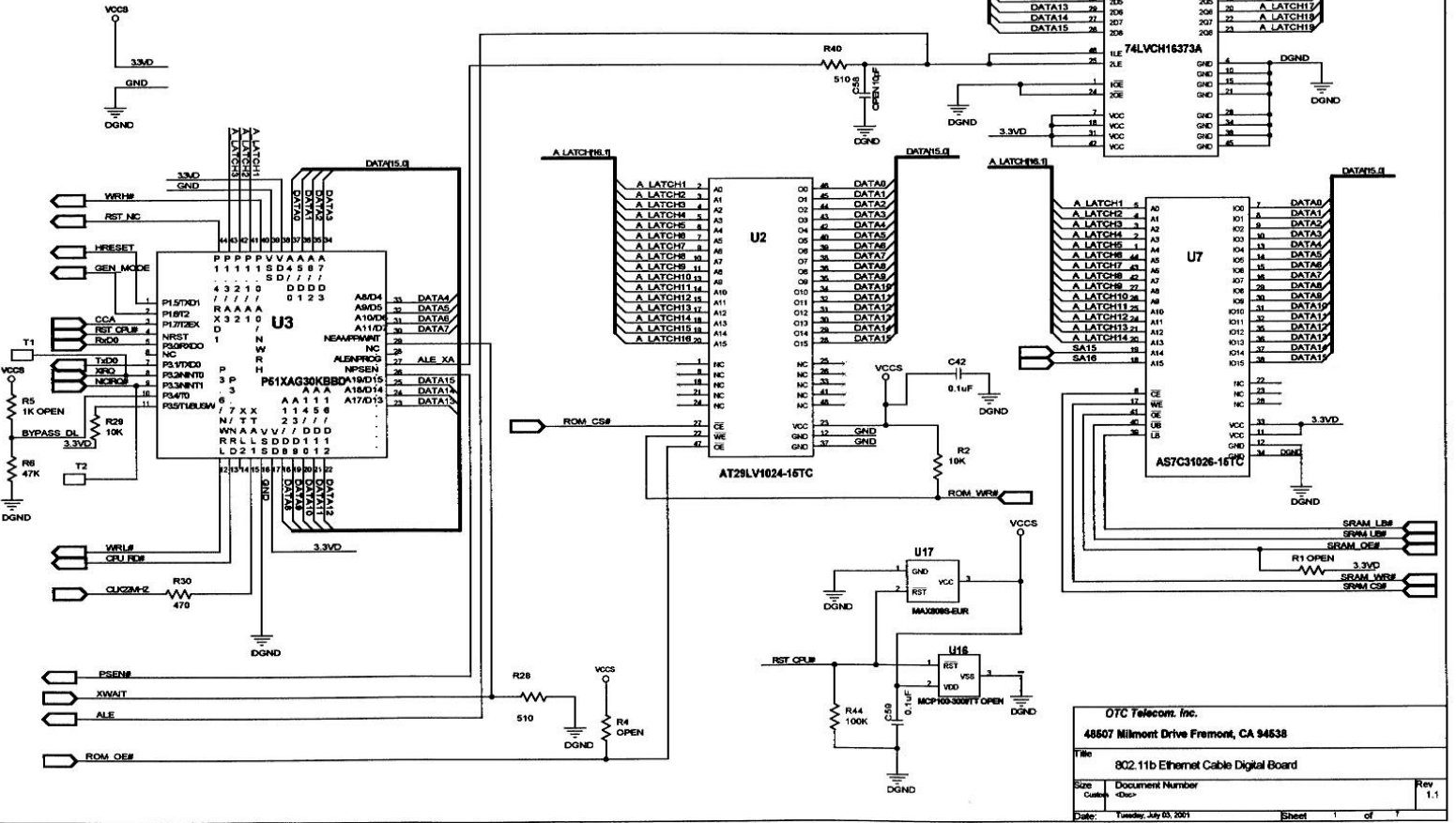
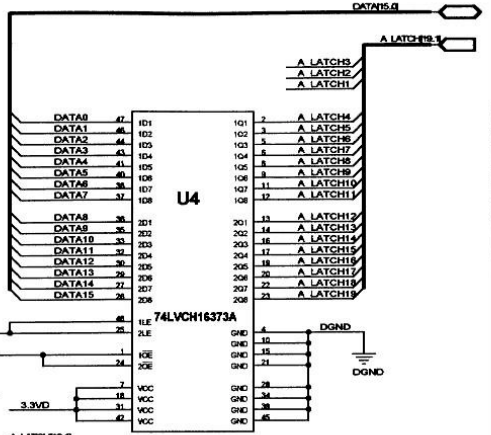
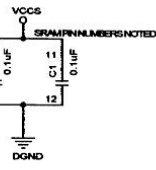
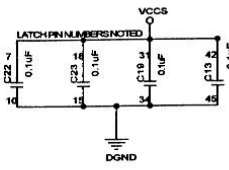
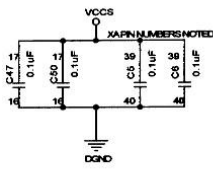
Size: Document Number  
 Date: Tuesday, July 05, 2001

Rev: 1.1

Sheet 2 of 7



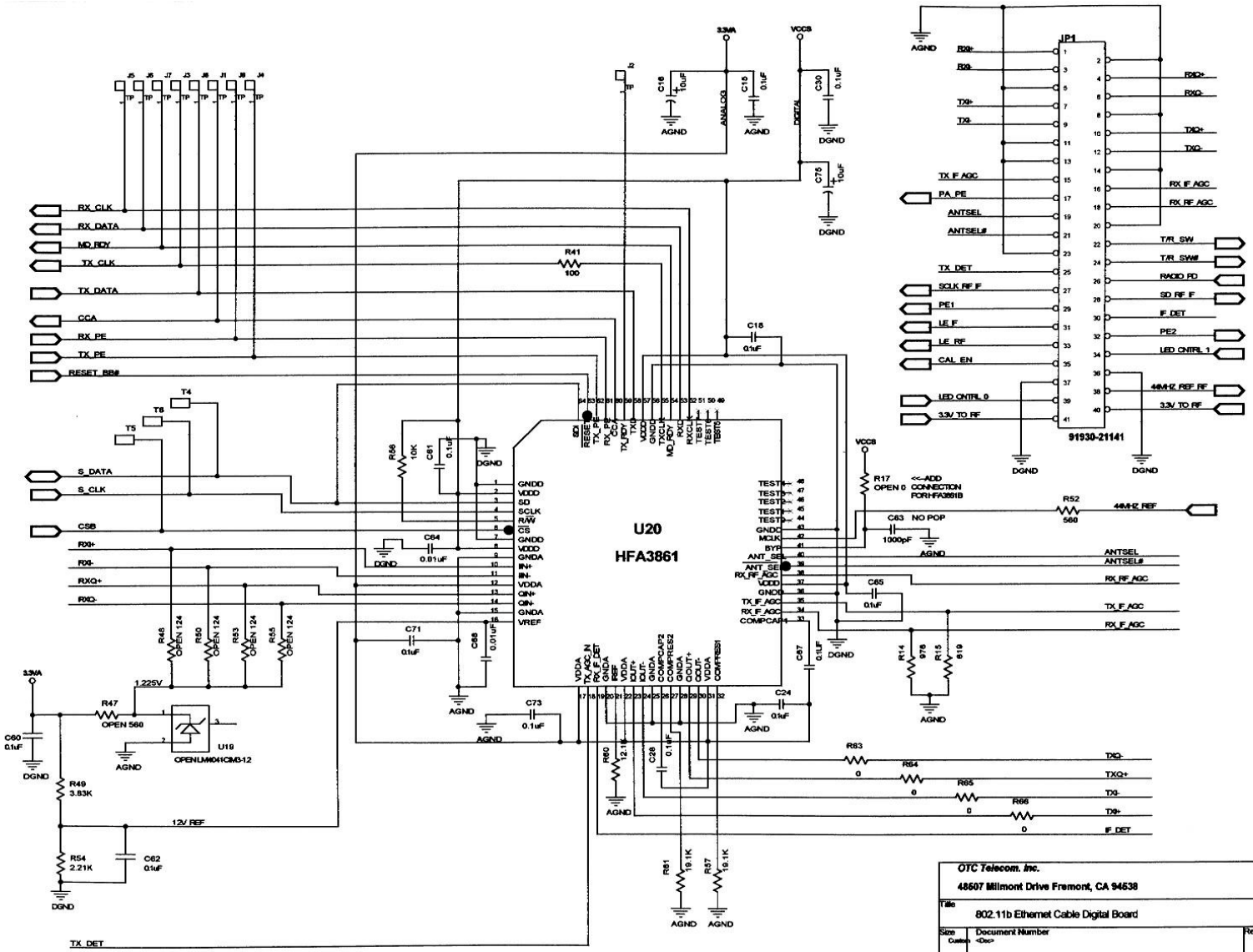
OTC Telecom, Inc.		
48607 Millmont Drive Fremont, CA 94538		
File 802.11b Ethernet Cable Digital Board		
Size	Document Number	Rev
Quantity	<Doc>	1.1
Date:	Tuesday, July 03, 2001	Sheet 3 of 7



OTC Telecom, Inc.  
48507 Milmont Drive Fremont, CA 94538

File: 802.11b Ethernet Cable Digital Board

Size: Document Number  
Cuts: Date: Tuesday, July 05, 2001 Sheet 1 of 1 Rev 1.1



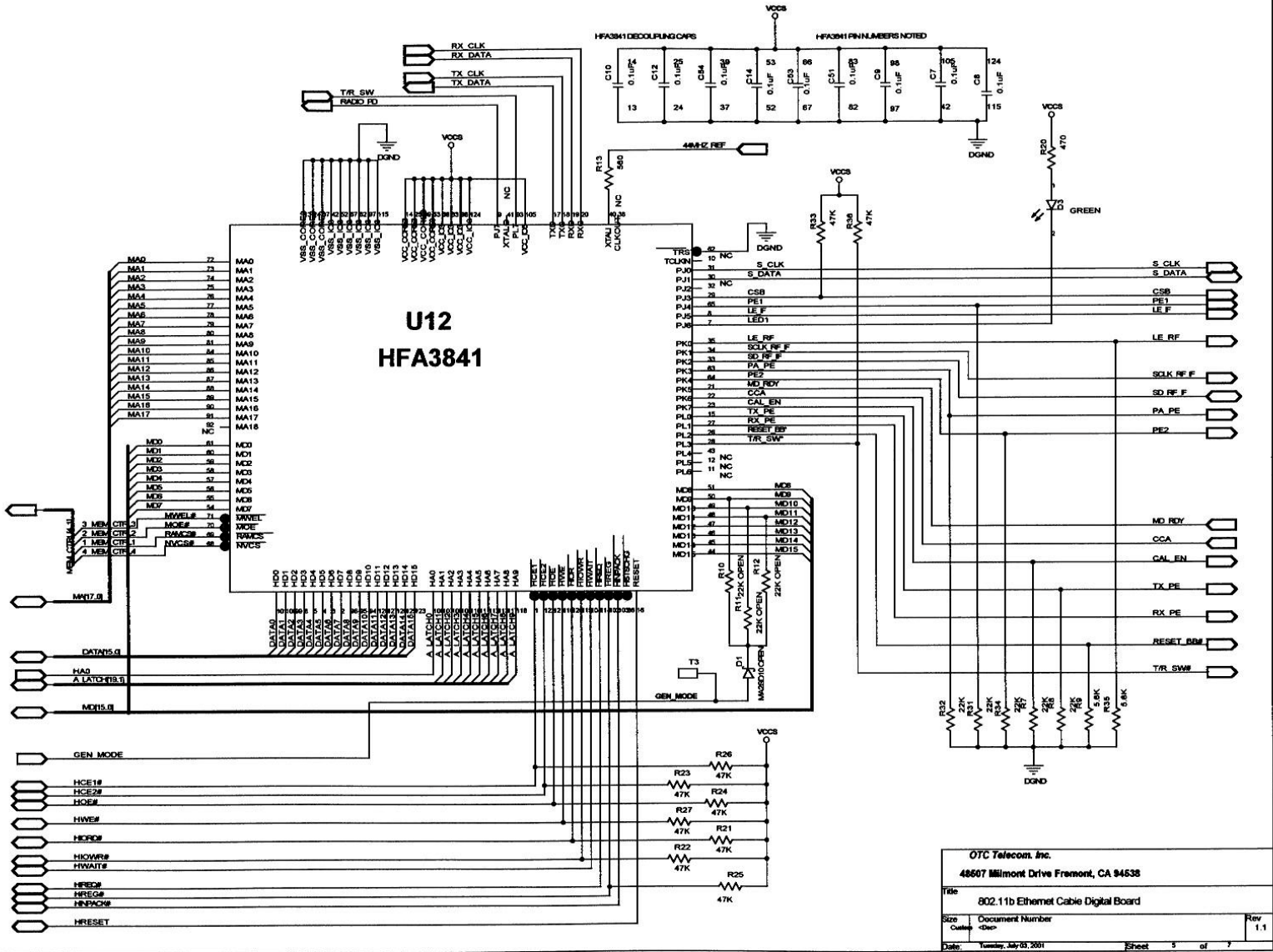
OTC Telecom, Inc.  
48607 Millmont Drive Fremont, CA 94538

Rev  
1.1

Date: Tuesday, July 03, 2001

Sheet 4 of 7

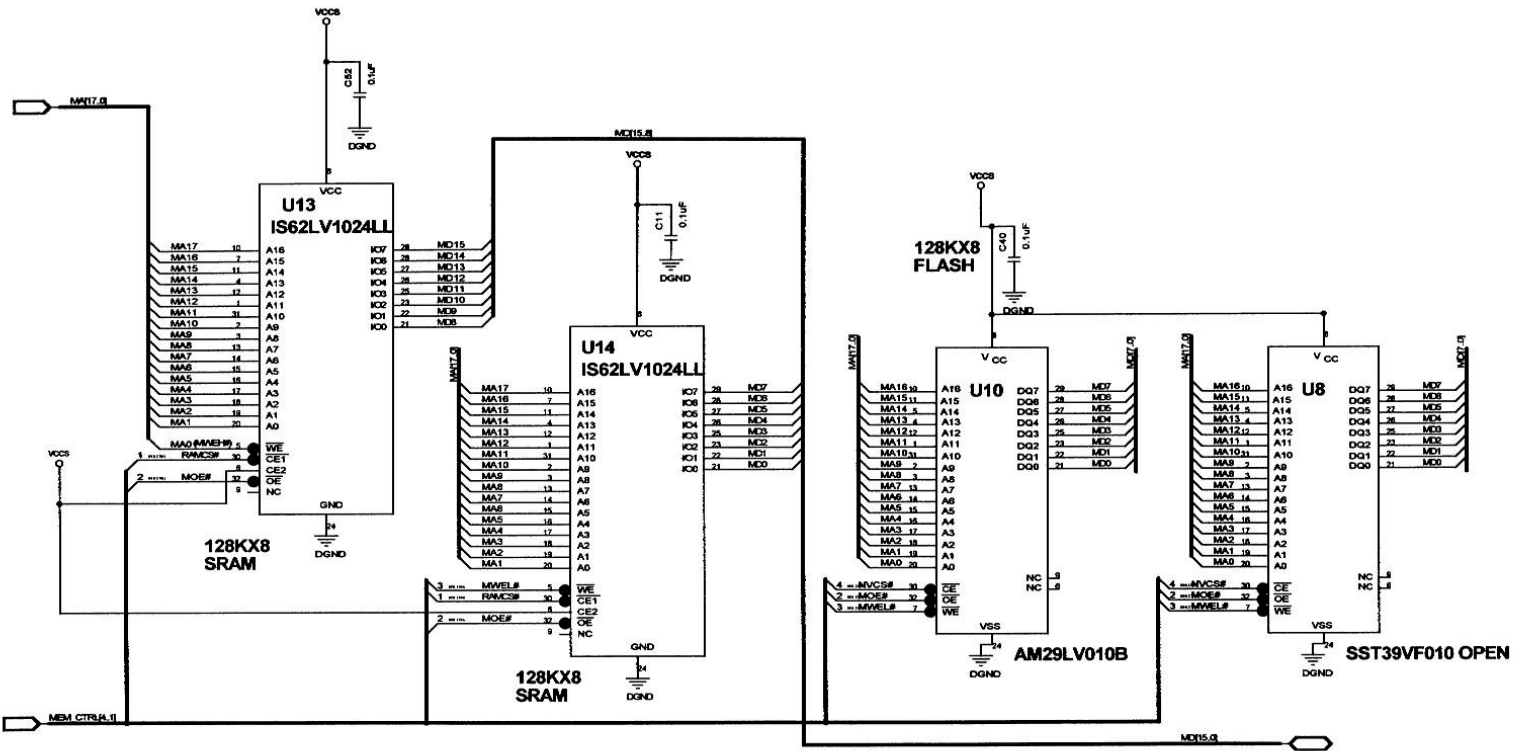
**U12  
HFA3841**



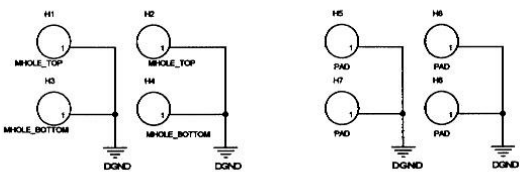
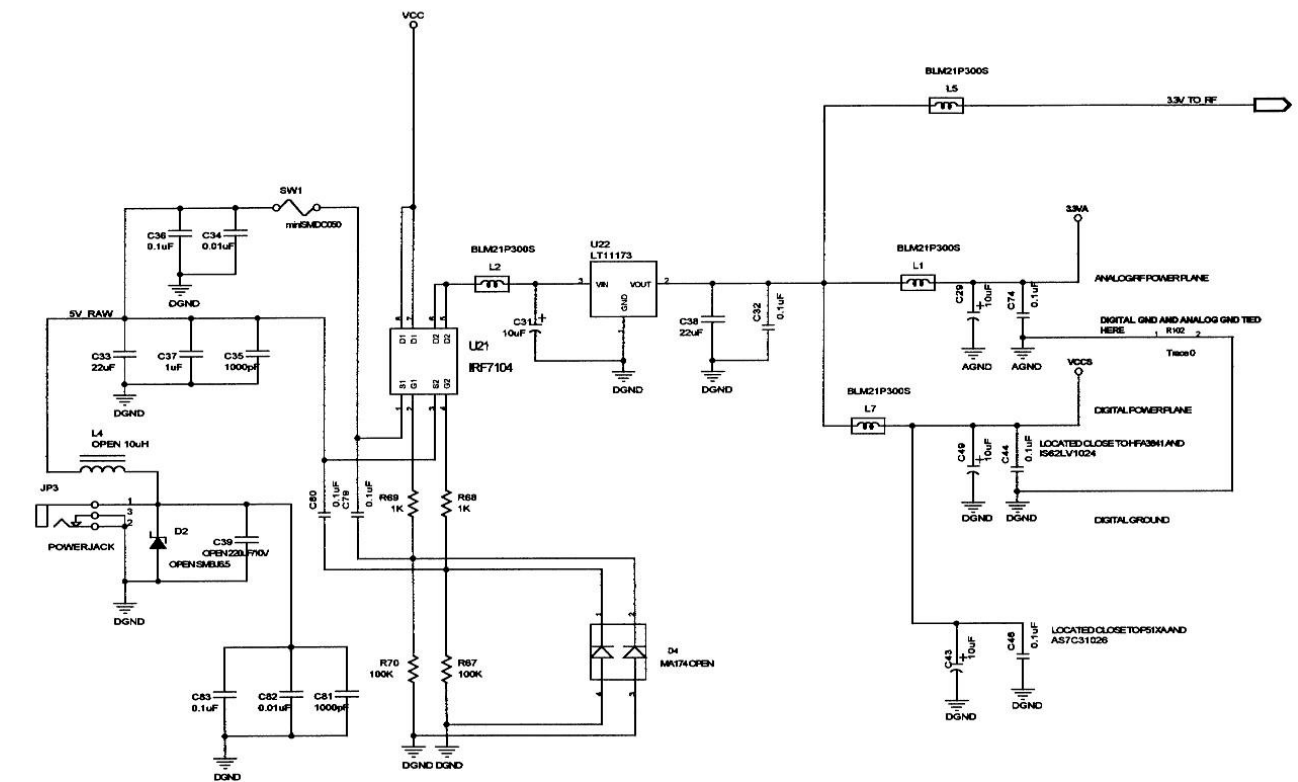
OTC Telecom, Inc.  
 48607 Millmont Drive Fremont, CA 94538

File	802.11b Ethernet Cable Digital Board		Rev
Size	Document Number		1.1
Created	Date	Thursday, July 05, 2001	Sheet 5 of 7





OTC Telecom, Inc.		
48607 Millmont Drive Fremont, CA 94538		
Title: 802.11b Ethernet Cable Digital Board		
Size: Custom	Document Number: 000	Rev: 1.1
Date: Tuesday, July 05, 2001	Sheet: 8	of: 7



OTC Telecom, Inc.		
48607 Millmont Drive Fremont, CA 94538		
Title:	902.11b Ethernet Cable Digital Board	
Size:	Document Number	Rev
Outline:	0000	1.1
Date:	Tuesday, July 03, 2001	Sheet 7 of 7