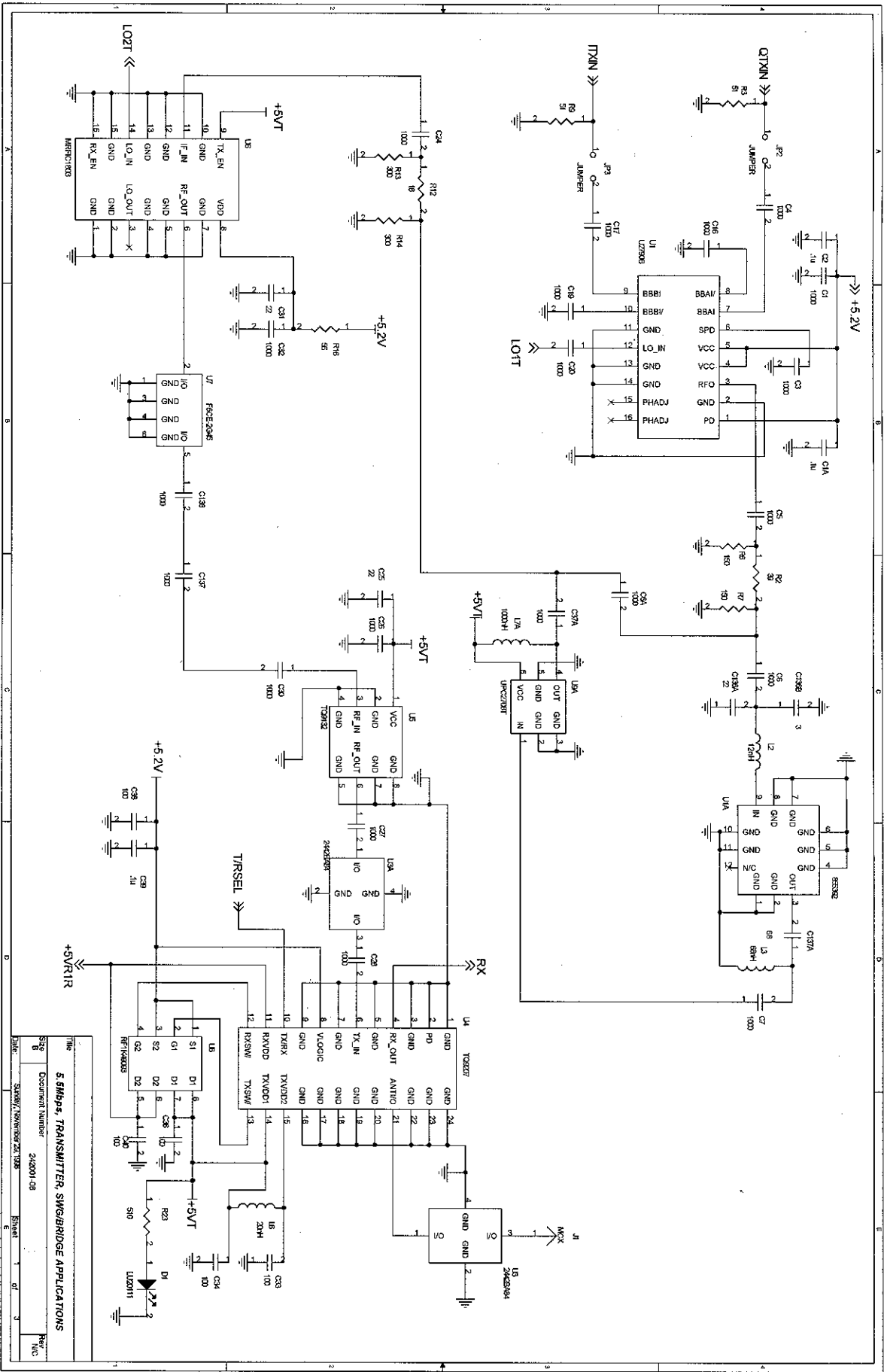
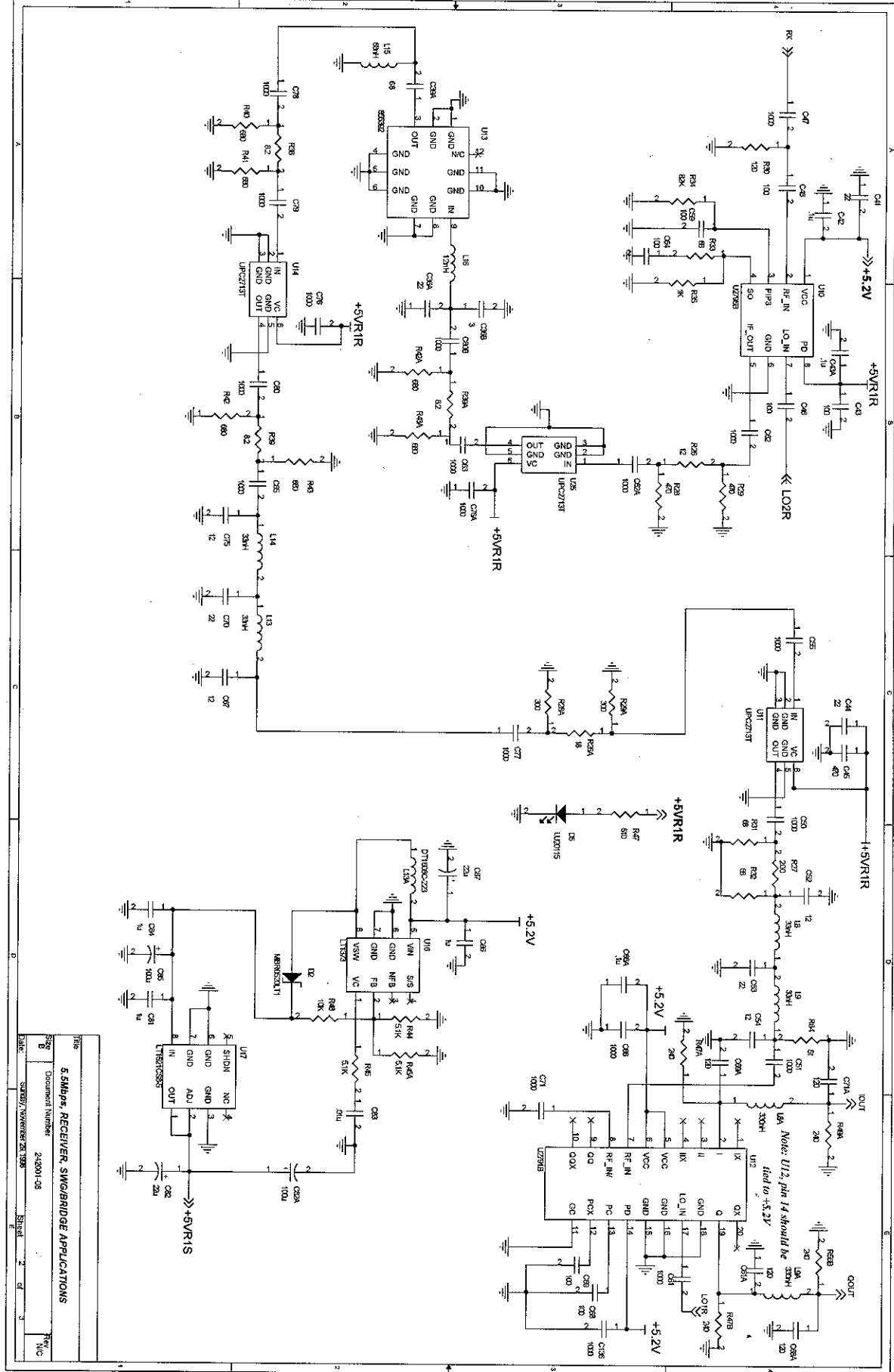


Title		5.5Mbps SYNTHESIZER, SWG/BIDGE APPLICATIONS	
Std		Document Number	
B		242901-08	
Date		SIXTEEN NOVEMBER 29 1988	
Rev		Sheet	
NC		3 of 3	



Title		Doc. Number		Rev. No.	
5.5Mbps, TRANSMITTER SWG/BIDGE APPLICATIONS		242001-08		1	
SHEET		OF		3	
DATE		REVISED		BY	
242001-08		242001-08		242001-08	



File	5.5Mbps RECEIVER, SWBRIDGE APPLICATIONS
Size	242001-08
Document Number	242001-08
Date	SARNOFF/NOVEMBER 26, 1985
Sheet	2 of 3
Rev	NC