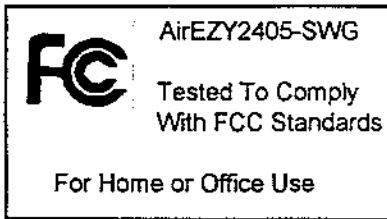


This device complies with Part 15 of the FCC Rules. Operation is subject to the following two conditions: (1) this device may not cause harmful interference, and (2) this device must accept any interference, that may cause undesired operations.

FCC ID: MKZAZY2405SWG



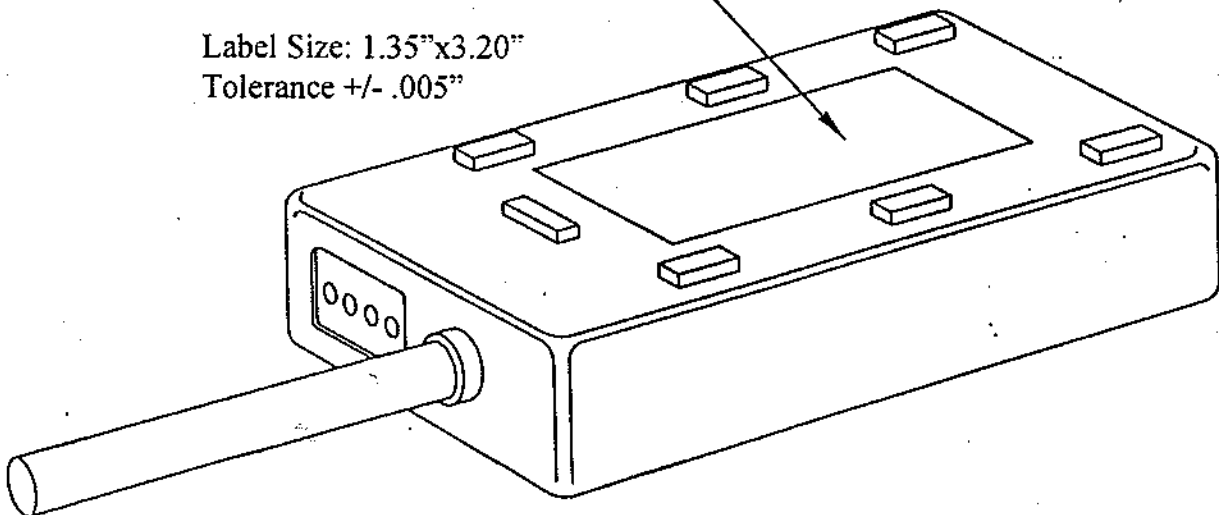
This device complies with

**OTC Telecom
Made in USA**

Notes:

1. **FCC label will be placed
On the bottom of the box.**
2. **Label size is 1.35"x3.20".**

Label Size: 1.35"x3.20"
Tolerance +/- .005"



**OTC Telecom
602 Chartcot Ave.
San Jose, CA 95131
(408)245-6888**