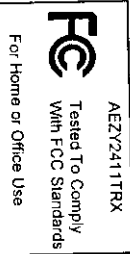


This device complies with Part 15 of the FCC Rules. Operation is subject to the following two conditions: (1) this device may not cause harmful interference, and (2) this device must accept any interference, that may cause undesired operations.

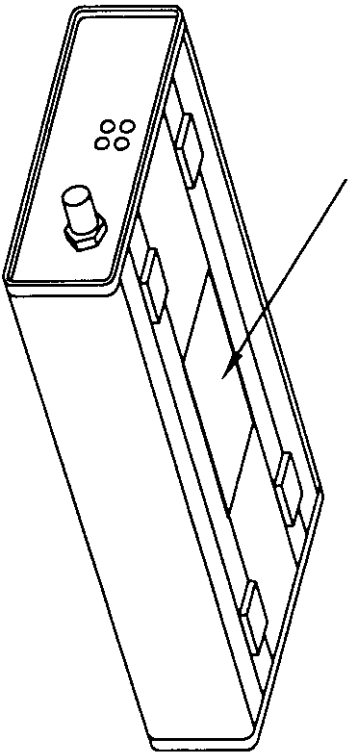
FCC ID: MKZAEZY2411BRG

AEZY2411TRX



OTC Telecom

Made in USA



AireZY2411 TRX

NOTE:

1. FCC ID label will be placed on the bottom of the housing.
2. Label size is approximately 1.45 x 4.25"



OTC
Telecom

2036 Berling Dr.
San Jose, CA 95131
MAY 6, 1998