

**AirEZY2411-éLAN Bridge™**  
**(Point to Point)**

*wireless Ethernet Bridge*

by  
OTC Telecom, Inc.

Installer's manual

### **Copyright**

© 1998 OTC Telecom Inc., San Jose, CA. All rights reserved. This manual is copyrighted with all rights reserved. No part of this publication may be reproduced, transmitted, transcribed, stored in a retrieval system or translated into any language in any form by any means without the written permission of OTC Telecom, Incorporated.

### **Trademarks**

AirEZY2411 e'lan Bridge, the AirEZY logo, OTC Telecom Inc., and the OTC Telecom logo are trademarks of OTC Telecom, Inc. NetWare and Personal NetWare are trademarks of Novell, Inc. Windows, Windows NT are trademarks of Microsoft Corporation, Apple, AppleTalk, Macintosh, PowerBook, Power PC are trademarks of Apple, and Pentium is a trademark of Intel. All other trademarks are the property of their respective owners.

### **Limited Warranty, Disclaimer, Limitation of Liability**

For a period of one (1) year from the date of purchase by the retail customer, OTC Telecom Inc., warrants the AirEZY2411 e'lan Bridge wireless LAN against defects in materials and workmanship. OTC Telecom will not honor this warranty if there has been any attempt to tamper with or remove the unit's chassis.

This warranty does not cover and OTC Telecom will not be liable for any damage or failure caused by misuse, abuse, acts of God, accidents, or other causes beyond OTC Telecom's control, or claim by other than the original purchaser.

If, after inspection, OTC Telecom determines there is a defect, OTC Telecom will repair or replace the AirEZY2411 e'lan Bridge unit at no cost to you. To return defective merchandise to OTC Telecom please call OTC Telecom Customer Service at (408) 245-6888 to obtain a Return Merchandise Authorization (RMA) Number.

In no event shall OTC Telecom, Incorporated be responsible or liable for any damages arising:

- From the use of the product
- From the loss of use, revenue or profit of the product; or
- As a result of any event, circumstance, action, or abuse beyond the control of OTC Telecom, Incorporated;

whether such damages be direct, indirect, consequential, special or otherwise and whether such damages are incurred by the person to whom this warranty extends or a third party.

### **Warranty Return Policy**

If you have a problem with your AirEZY2411 e'lan Bridge product (P/N: AEZY2411-TRX), please call OTC Telecom Technical Support at (408) 245-6888. OTC Telecom Technical Support will assist with resolving any technical difficulties you may have with your OTC Telecom product.

After calling OTC Telecom Technical Support, if your product is found to be defective, you may return the product to OTC Telecom after obtaining an RMA number from OTC Telecom Customer Service. The product must be returned in its original packaging. The RMA number should be clearly marked

on the outside of the box. OTC Telecom cannot be held responsible for any product returned without an RMA number, and no product will be accepted without an RMA number.

When calling OTC Telecom, please provide the following information to expedite service:

- Customer account number
- Invoice number
- Date of Sale
- Model number of product
- Serial number of product

#### **FCC Identification**

**MKZAEZY2411BRG**

#### **FCC Warning**

NOTE: This equipment has been tested and found to comply with the limits for a Class B digital device, pursuant to part 15 of the FCC Rules. These limits are designed to provide reasonable protection against harmful interference in a residential installation. This equipment generates, uses, and can radiate radio frequency energy and, if not installed and used in accordance with the instructions, may cause harmful interference to radio communications. However, there is no guarantee that interference will not occur in a particular installation. If this equipment does cause harmful interference to radio or television reception, which can be determined by turning the equipment off and on, the user is encouraged to try to correct the interference by one or more of the following measures:

- Reorient or relocate the receiving antenna.
- Increase the separation between the equipment and receiver.
- Connect the equipment into an outlet on a circuit different from that to which the receiver is connected.
- Consult the dealer or an experienced radio/TV technician for help.

**This manual is for the professional installer to use as a guide to install OTC Telecom's 11Mbps wireless Bridge for point to point communications purpose. To avoid the interference with others and to meet FCC's regulation it is required by law that the installer to strictly follow the guideline set up by this manual.**

## DECLARATION OF CONFORMITY

We OTC Telecom Inc.,  
2036 Bering Drive  
San Jose, CA, 95131

Telephone: (408)245-6888

Declare under our sole responsibility that the product

AirEZY2411-BRG

Complies with part 15 of FCC Rules. Operation is subject to the following two conditions: (1) this device may not cause harmful interference, and (2) this device must accept any interference received, including interference that may cause undesired operation.

## **CONTENTS**

1.0 INTRODUCTION

2.0 SYSTEM REQUIREMENTS

3.0 PRODUCT PACKAGE

4.0 INSTALLATION OVERVIEW

4.1 AirEZY2411 e'lan Bridge DIAGNOSTIC SOFTWARE

4.2 ANTENNA INSTALLATION

APPENDIX A

APPENDIX B

Helpful Hints / Trouble Shooting Guide

## 1.0 Introduction

Congratulations on your purchase of OTC Telecom's AirEZY2411 e'lan Bridge! The AirEZY2411 e'lan Bridge is a cost effective "plug and play" wireless Ethernet Bridge that can provide wireless network connectivity when people and information are scattered among several nearby buildings within a few of miles (line of sight is required between the two connectivity points). OTC Telecom's wireless bridge provides wireless point to point connectivity and high performance.

AirEZY2411 e'lan Bridge offers the user easy installation and use. AirEZY2411 e'lan Bridge can be connected directly to your existing Ethernet network by connecting the AirEZY2411 e'lan Bridge's RJ-45 connectors to an Ethernet bridge, switch, router, or to a file server with an Ethernet card. Aim the provided directional antennas, and the AirEZY2411 e'lan Bridge will be up and running.

Another built in feature with your AirEZY2411 e'lan Bridge is platform independence. AirEZY supports all major network operating systems without the need of installing complex and time consuming software drivers.

## 2.0 System Requirements

To begin using your AirEZY2411 e'lan Bridge wireless LAN, your network system will need to have an Ethernet ready bridge, switch, router, or file server with available Ethernet connectivity ports. The "point to point" locations to be connected via AirEZY2411 e'lan Bridge must have one of the following:

- **Server:** *Hardware*--486 or Pentium PC, Apple Macintosh & PowerPC, UNIX Host (SUN, DEC,...), IBM AS-400, and IBM Mainframe with an Ethernet Interface Adapter. ***Your file servers should have at least two Ethernet ports. when using the configuration described in Appendix A (AirEZY2411 e'lan Bridge will occupy one Ethernet port if you choose to connect it directly to the file server.) See Appendix A***

*NOS/Protocol*--Novell NetWare, AppleTalk, LAN Manager, Windows NT Server, Windows 95 & 98, UNIX with TCP/IP, and SNA. ***AirEZY2411 e'lan Bridge will also operate with most third party bridge and router software packages.***

» **Hub / Bridge / Switch:** *Hardware*--3Com, Hewlett-Packard, Cisco, Bay Networks, etc...

» **Router:** *Hardware*--3Com, Cisco, Bay Networks, etc...

» You will also need to run an AirEZY2411 e'lan Bridge unit at each of the location that you wish to connect.

## 3.0 Product Package

AirEZY2411 e'lan Bridge	2 units	AirEZY2411 e'lan TRX wireless transceiver units
	2 each	High Gain Directional antennas
	2 each	20 ft segments of low loss RF cable
	2 each	20 ft segment <b>STD "N" to UNEF</b>
	2 each	Lightning Arrestor
	1 each	AirEZY2411 e'lan Bridge user's manual
	2 cable	3 ft TX/RX twisted pair cable for bridge, switch, and router connection
	2 cable	7 ft BLUE Cross over cable for connection to file servers and PCs.

Custom configurations: Please see Packing List enclosed with shipping boxes

#### **4.0 Installation Overview**

After removing AirEZY2411 e'lan Bridge from the shipping box, be sure to lay out all the contents to ensure that all necessary components are accounted for before you begin the installation process. Refer to **Section 3.0** of this manual for a complete list of provided components.

In order to maximize AirEZY2411 e'lan Bridge's full wireless bridging capabilities, the proper placement of your AirEZY2411 e'lan Bridge unit with the antenna properly installed is crucial to its overall performance. The AirEZY2411 e'lan Bridge is a wireless bridge system designed to be used in point-to-point applications. **We require that the installation of this system be performed by a qualified installer.** Please provide the installer with this installation guide. This installation guide will provide the installer with the required information for proper installation wireless bridge.

Antenna placement and installation should be the **first step** in the process of installing your AirEZY2411 e'lan Bridge. After the antenna is properly installed, 1) connect the RF cable to the antenna and 2) to the AirEZY2411 e'lan Bridge unit. See **Appendix A & B** for proper connection of cable to antenna and AirEZY2411 e'lan Bridge. AirEZY2411 e'lan Bridge will perform the best when the antennas are within line of sight. If possible, place the AirEZY2411 e'lan Bridge antenna in a location so that the radio's propagation path is not obstructed by tall trees, buildings, freeway overpasses, or any other large obstacle that may interfere or disperse the radio frequency signal. Optimal performance range for AirEZY2411 e'lan Bridge is between five to seven miles when used with the provided high gain antennas.\*\*\*

Note: The AirEZY2411 e'lan Bridge output near the antenna exceeds the FCC adopted RF exposure limits for people. The antenna must be installed so that this exposure does not exceed 1.0mW/cm<sup>2</sup>. Based on the effective radiated power of the AirEZY2411 e'lan Bridge using the antennas supplied, a separation distance of 30 centimeters is required to limit the exposure. The antenna must be installed such that a person would not be exposed to RF energy from the antenna that exceeds these limits.

\*\*\*OTC Telecom, Inc. does not guarantee distances. Your geographical location or the presence of obstacles between your connectivity points may affect AirEZY2411 e'lan Bridge's overall performance.

#### **4.1 AirEZY2411 e'lan Bridge Entry Diagnostic Software**

OTC Telecom, Inc. provides the user with a Diagnostic and Configuration diskette that will help facilitate the installation and configuration of the AirEZY2411 e'lan Bridge units. This program can be used in either Windows 3.1 and Windows 95 & 98 environments. Please consult the *HELP menu* found on the diskette **before** attempting to perform diagnostics and/or re-configuration of your wireless system!

The Diagnostic & Configuration software allows the user to configure their own RF Channels and RF Security Codes. **In order for the system to link properly and operate, your corresponding Bridge units must be configured to the same RF Channel and the same RF Security Codes.**

FACTORY DEFAULT: The RF Channel is set to CH. 2 (2.442 GHz)

To change the RF Channel or RF Security Code, load the Diagnostic program diskette to configure the wireless bridge units one-by-one. Connect the AirEZY2411 e'lan Bridge units to the Ethernet port of a PC by using a straight-through UTP cable. Run the Diagnostic program under Windows 3.1 or Windows 95 & 98 environment with NetWare IPX protocol installed and enabled.

We recommend that the user familiarize themselves with the wireless bridge hardware and review the *HELP menu* on the Diagnostic Configuration diskette before attempting any re-configurations.

Configuration Guide:

- 1) Connect the AirEZY2411 e'lan Bridge units to a PC's Ethernet port via a straight-through UTP cable.
- 2) Run the diagnostic program.
- 3) In the Diagnostic program's main menu, select item Control and Config.
- 4) A configuration will pop up.
- 5) Press the GETID button to get unit ID, default RF Channel, and default RF Security Code.
- 6) Highlight the unit ID to select the unit.
- 7) The current RF Security Code and RF Channel will appear in the box.
- 8) To modify the current settings, select the desired RF channel and/or RF Security Code.
- 9) Press the SET button. The new RF Channel and RF Security Code will be set. **REMEMBER:** Set your corresponding wireless bridge unit to the same RF Channel and RF Security Code or the system will not operate properly.
- 10) Exit configuration menu by pressing the STOP button.
- 11) Power-Cycle your AirEZY2411 e'lan Bridge units to activate the new configurations.

Please consult the *Help menu* on the diskette if you have any additional questions or concerns.

#### **4.2 Antenna Installation (See Appendix B)**

**WARNING:** The authority to operate this device requires its operation and installation, including antennas, to comply with the FCC-adopted radio frequency(RF) exposure limits. It is the responsibility of the installer to install this device and associated antennas so that RF exposures to persons do not exceed  $1.0\text{mW}/\text{cm}^2$ . For the AirEZY2411 e'lan Bridge antenna system (24dB, or 12dB antennas) the exposure limit is generally satisfied if the antennas are at least 30.48 centimeters or 12 inches away from nearby persons.

Before installing AirEZY2411 e'lan Bridge onto your network, be sure to properly install the directional antenna onto your building. **We require that the installation of the antennas be performed by a qualified or licensed antenna installer.** The front panel of your AirEZY2411 e'lan Bridge unit will have four LEDs and a RF cable connector. The provided antenna cable will have a proprietary 32UNEF female connector that is matched to the AirEZY2411 e'lan Bridge unit. Be sure to have the **UNEF Connector** matched to the AirEZY2411 e'lan Bridge unit. **Be sure not to over torque the screw as this may damage your AirEZY2411 e'lan Bridge unit's 32UNEF male connector!!!**

When installing the antenna and the RF cable follow the following set-up procedure.

- 1) Be sure to attach the antenna to the antenna mast first. Please align the antennas on the two points that you intend to connect before proceeding to the next step. **Line of sight needs to be established between the two high gain antennas.**
- 2) **Do not attach the low loss RF cable onto the AirEZY2411 e'lan Bridge unit before the cable is attached and connected to the antenna.**
- 3) Once the antennas are properly installed onto the antenna mast and properly secured to your building, you are ready to connect the RF cable to the antenna. Connect the RF cable to the antenna by connecting the **STD "N" female to STD "N" male** connector on the antenna RF feed cable.

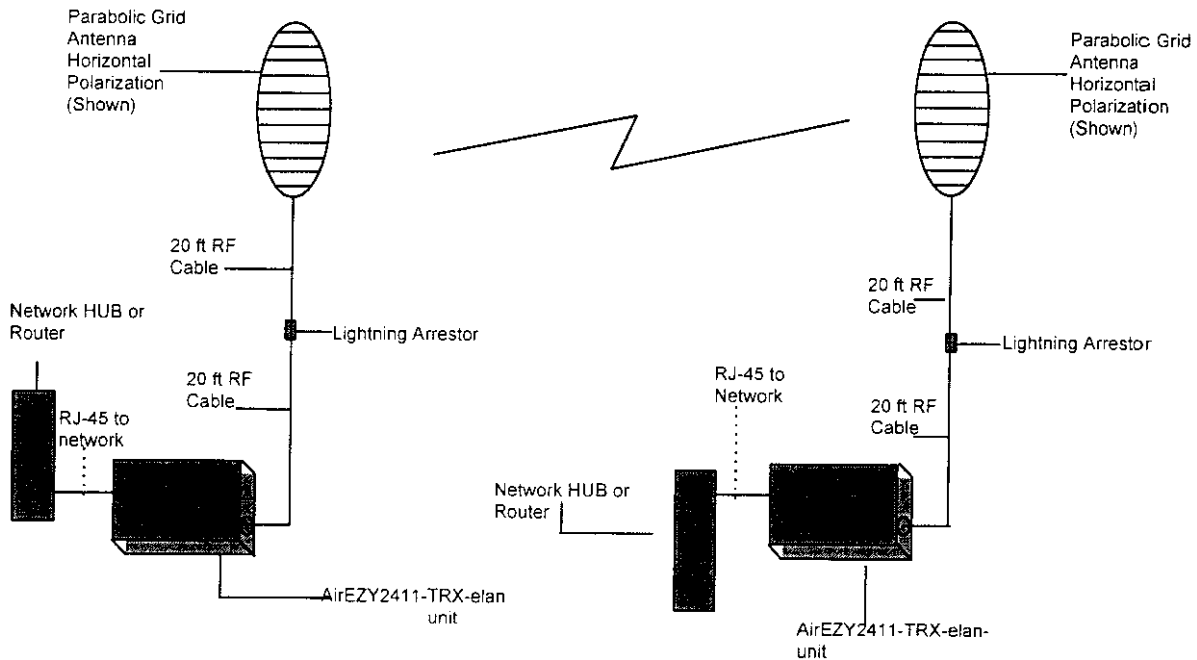


- 4) Run the RF cable along the antenna mast to where the AirEZY2411 e'lan Bridge unit will be located.
- 5) Secure the cable approximately 12"-18"(inches) away from the AirEZY2411 e'lan Bridge unit to allow for stress relief along the RF cable. (Connecting the RF cable to the unit without stress relief in place will damage the connector assembly on the AirEZY2411 e'lan Bridge units!)

**After you have completed the installation of the antenna systems, please refer to the user's manual for the network connection.**

# Appendix A

# AirEZY2411 elan Bridge Installation Guide



•Please use RJ-45/UTP Cross-Over Cable for connection to Router/Switch or Hub.

• Please use RJ-45/UTP Straight-Through Cable for direct connection to (computer/server/laptop) ethernet port.

NOTE: Dipole assemblies and reflector assemblies are available in 21 dBS and 24 dBS versions. Your actual parts may look different, but this will not affect installation.

NOTE: Reflector and dipole assemblies must be used in matched gain sets  
 - i.e. a 21 dBS dipole assembly can only be used with a 21 dBS reflector assembly.

Refer to Figure 1 for the following instructions.

1. Insert feed tube clamps (item 1) in slots on reflector plate.
2. Insert dipole assembly into feed tube clamps and align holes. Standalone dipole assemblies with attached cable should have the cable fed through the hole in the reflector plate as shown in Figure 3.
3. Secure dipole assembly to feed tube clamps using bolt (item 2) and lock nut (item 3).
4. Insert U-bolts (item 4) from the side shown into the reflector assembly. For horizontal polarization, the U-bolts should be placed in the holes which align with the long side of the reflector, see Figure 1. For vertical polarization, the U-bolts should be placed in the holes which align the short side of the reflector, see Figure 2.
5. Place mounting brackets (item 5) on U-bolts and install lock nuts (item 4).
6. Slide antenna over mast and tighten locknuts evenly to 45 ± 5 inch-pounds.

**CAUTION**

WHEN PLACING ANTENNA ON MAST, MAKE SURE THE AREA OVERHEAD IS CLEAR OF POWER LINES.

**MOUNTING HARDWARE KIT P/N 90009 (-1, ZINC; -2, GALVANIZED)**

1	2	130457	FEED TUBE CLAMP
2	1	70565	BOLT, HEX HEAD, .190-32 X 1.5
3	1	70564	LOCKNUT, 10-32
4	2	70509	U-BOLT, 1/4-20
5	4	130080	MOUNTING BRACKET
6	4	70527	LOCKNUT, 1/4-20

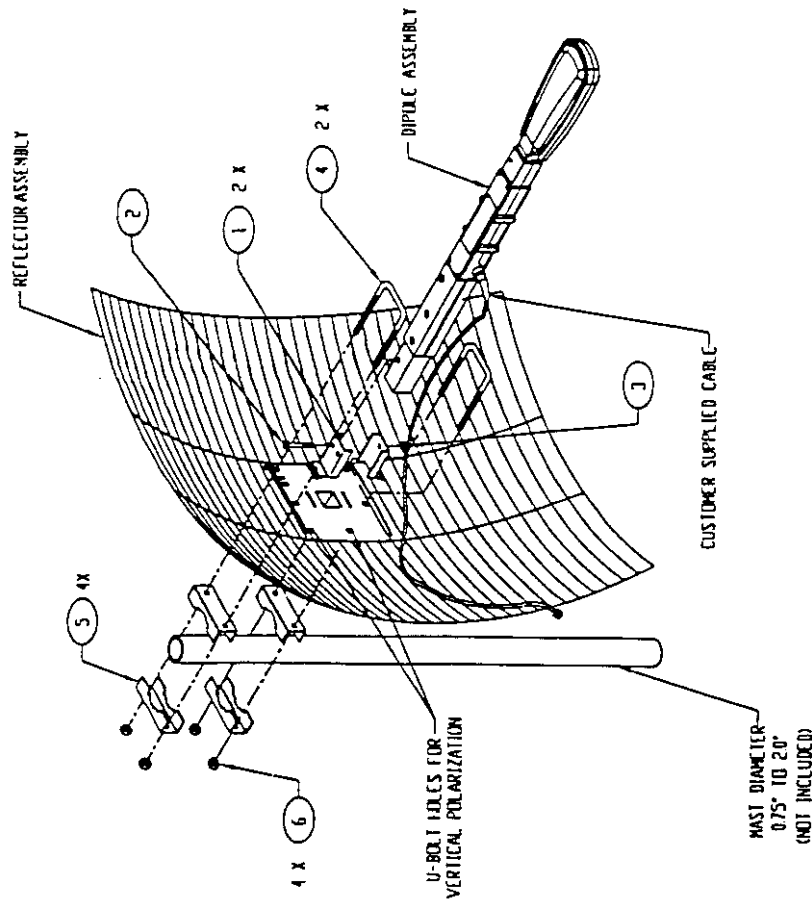


FIGURE 1  
 24 dBS Integrated Antenna  
 Shown in Horizontal Polarization

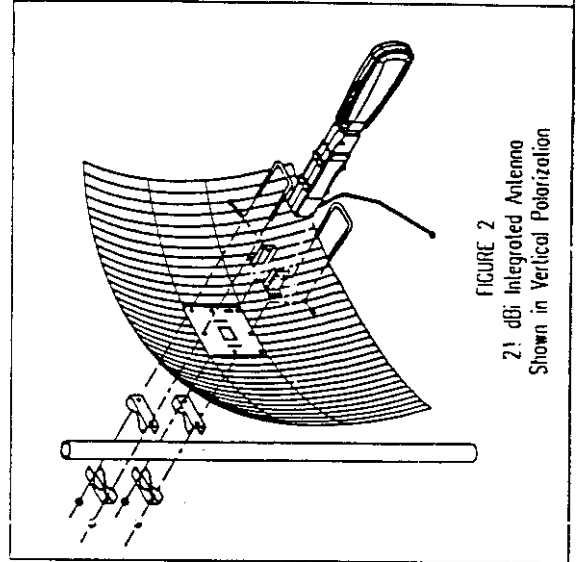


FIGURE 2  
 21 dBS Integrated Antenna  
 Shown in Vertical Polarization

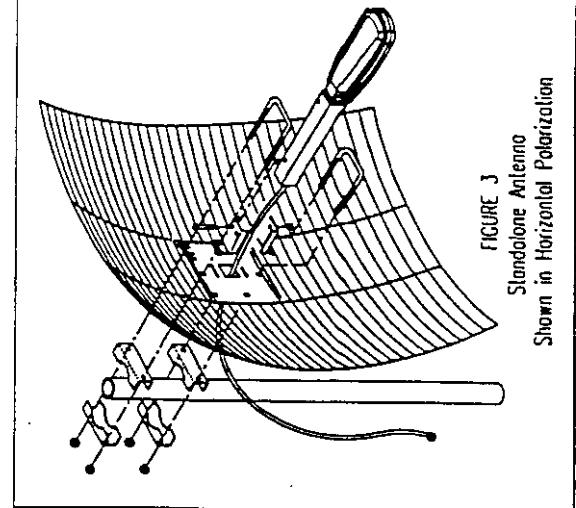


FIGURE 3  
 Standalone Antenna  
 Shown in Horizontal Polarization