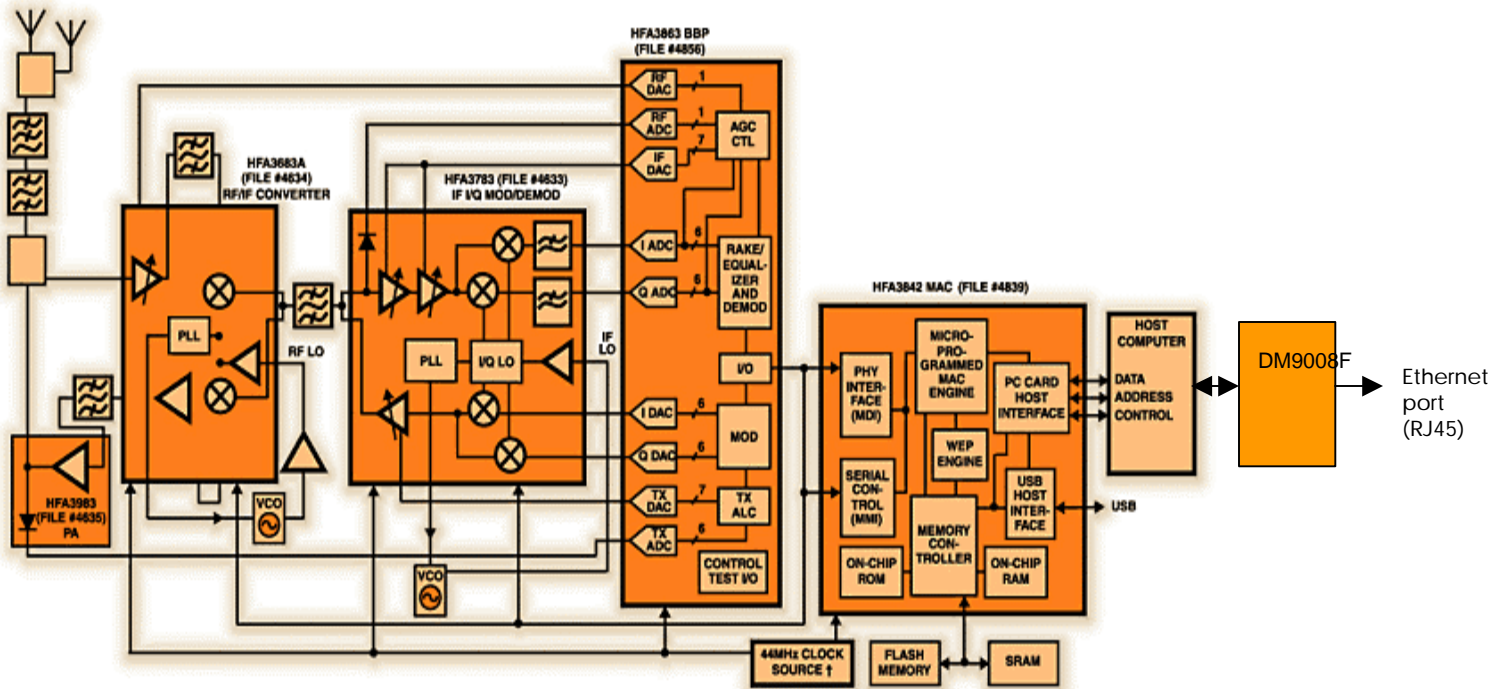


OTC Wireless WiSER 2000 Block Diagram



† THE HFA3842 MUST BE SUPPLIED WITH A SEPARATE 48MHz CLOCK WHEN USB IS USED.