

ELECTRO-MAG,
 INTERNATIONAL

TITLE:
 SCHEMATIC, 2 LAMP / TB / 120V
 NORTH AMERICAN SERIES INSTANT
 START (SUPER SLIM LINE VERSION)
 L2325I1205

ORIGINAL ENGINEER M. MOISIN DATE 01/23/00

ORIGINAL APPROVED DATE

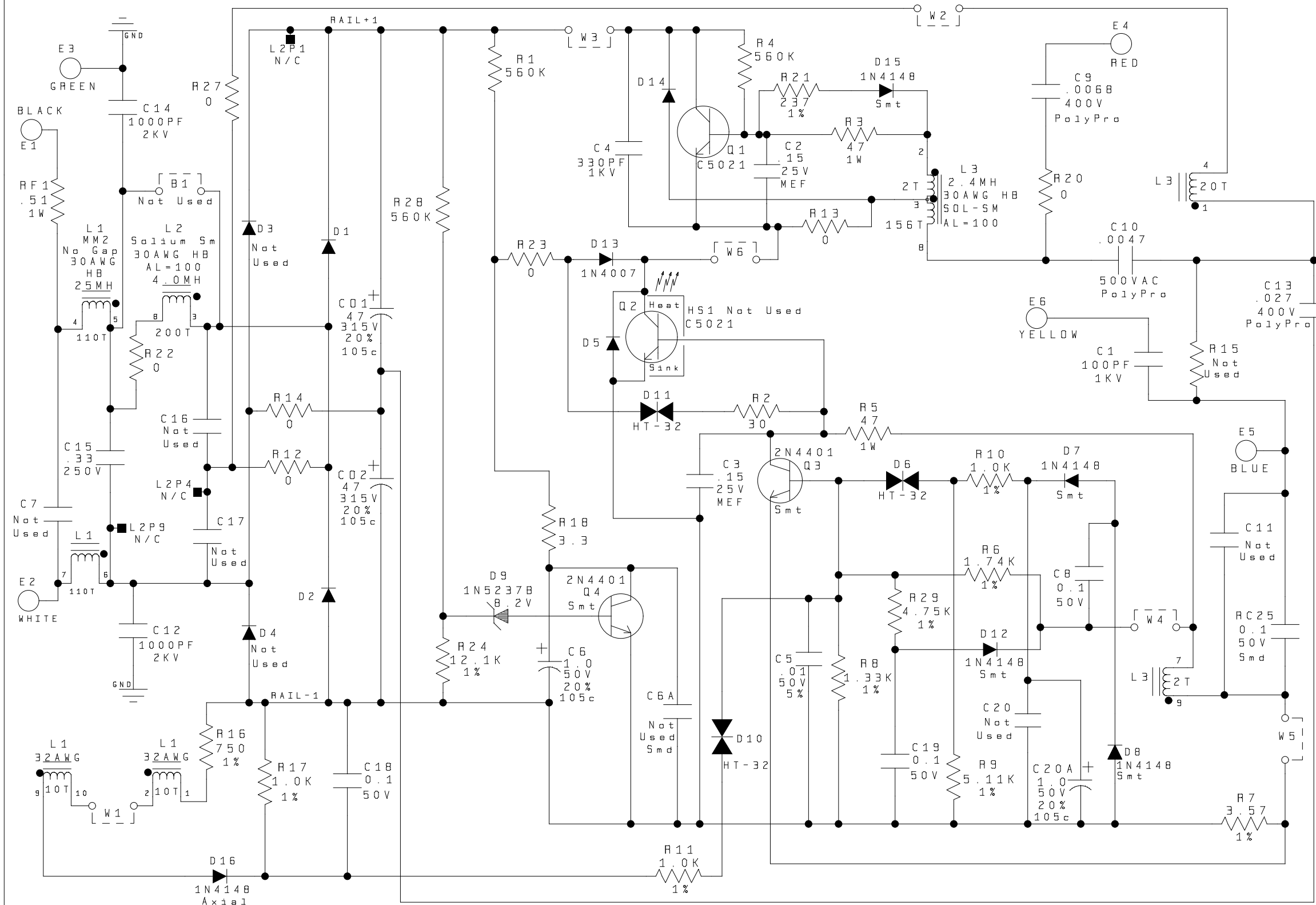
FIRST USED ON

FIRST ISSUED UNDER ECO DATE OF PRINT

SCALE	DRAWN	DATE	CHKD	APPD
***	DJP	01/23/00		

REVISION

REV	ECN	DESCRIPTION	DATE



- NOTES: UNLESS OTHERWISE SPECIFIED
1. ALL RESISTOR VALUES ARE IN OHMS, 1/4W, +/- 5%
 2. ALL CAPACITOR VALUES ARE IN UF, +/- 10%
 3. ALL DIODES ARE UF4007
 4. "E" PREFIX INDICATES ENGINEERING PROTOTYPES