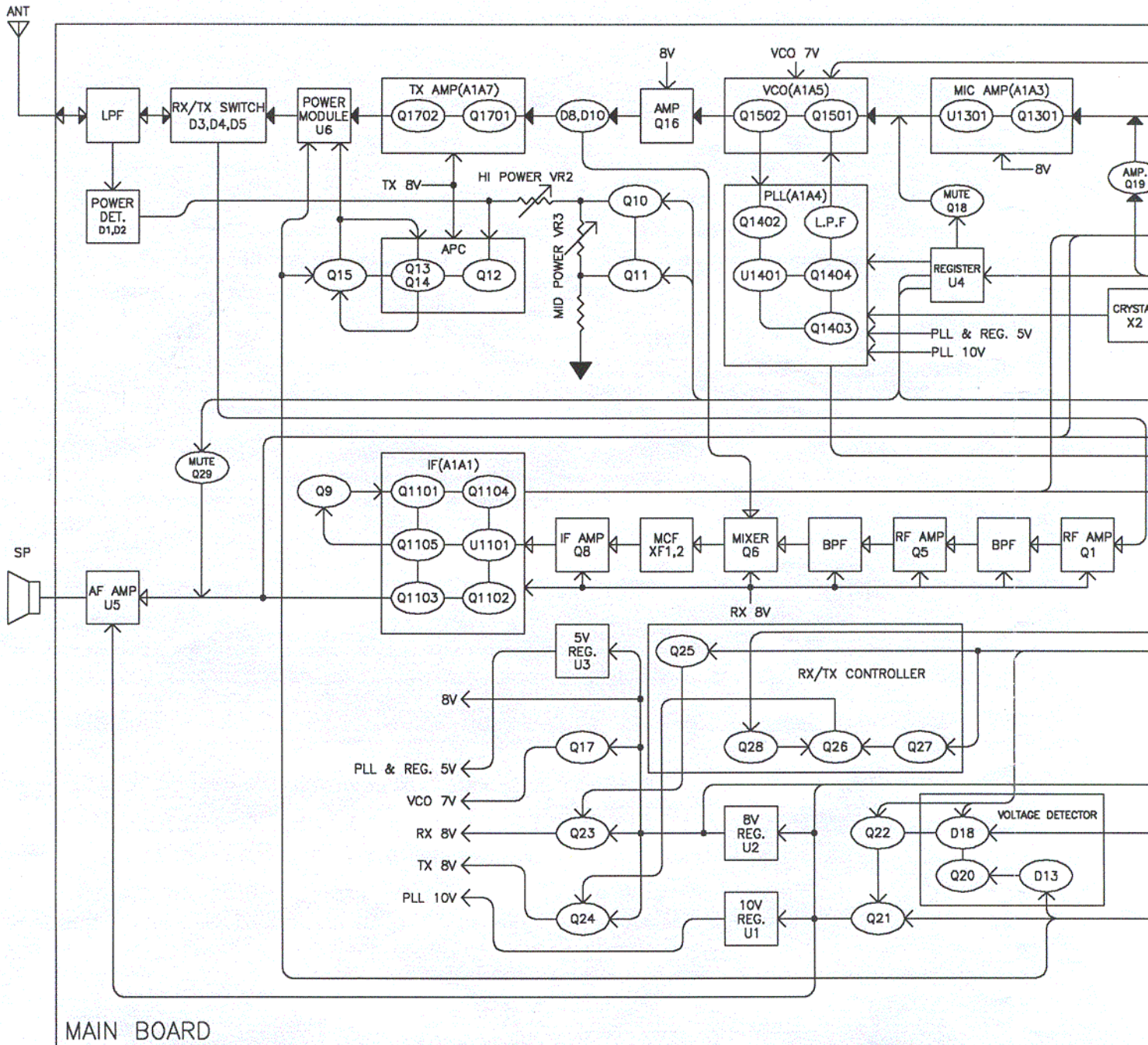


BLOCK DIAGRAM



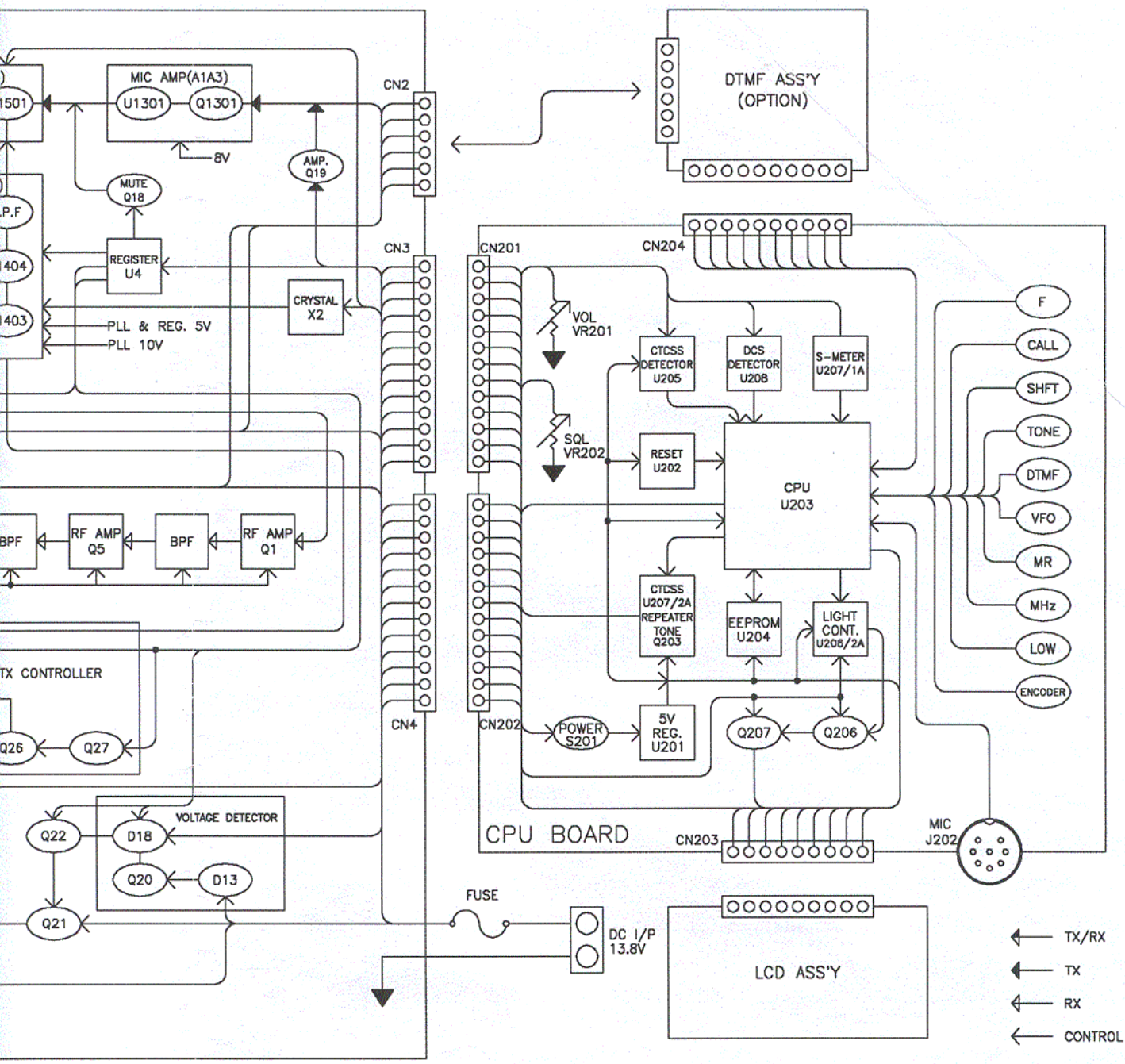
MAIN BOARD

FILE NO. AR-247

ADI Communications Corporation
FCC ID: MKDAR247
Exhibit #: 3

REV.	PART NO.	DESCRIPTION	APPROVED NO.	REMARK

BLOCK DIAGRAM



- ← TX/RX
- ← TX
- ← RX
- ← CONTROL

H
G
F
E
D
C
B
A