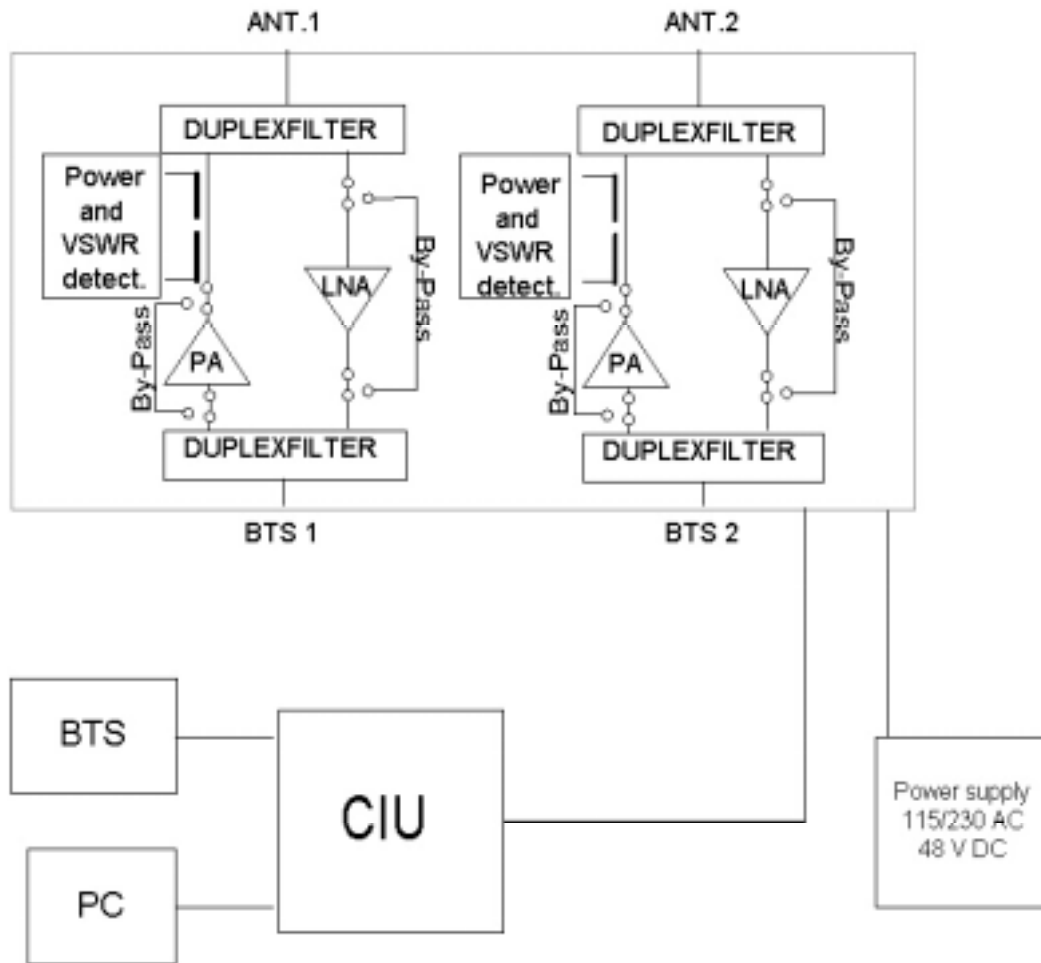


1 Block diagram

For functional description see exhibit 12.



1.1 Abbreviations

BTS	Base Transceiver Station
CIU	Control Interface Unit
CSU	Control Surveillance Unit
CW	Continuous Wave
HPA	High Power Amplifier
LNA	Low Noise Amplifier
MS	Mobile Station
PBU	Power Back-up Unit
PSU	Power Supply Unit
TMA	Tower Mounted Amplifier (Low Noise)
TMB	Tower Mounted Booster