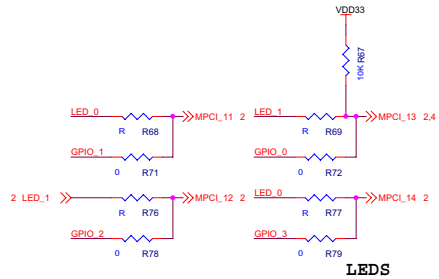
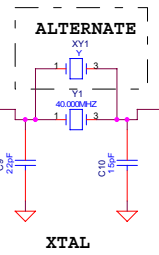
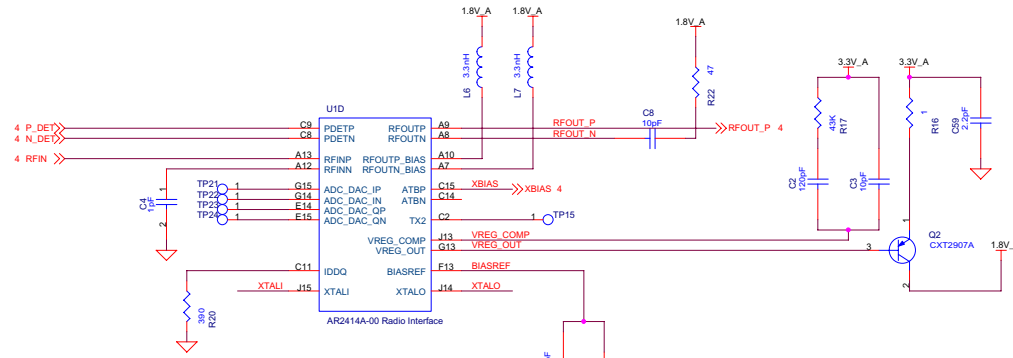


# iWavePort WLM54G 1B



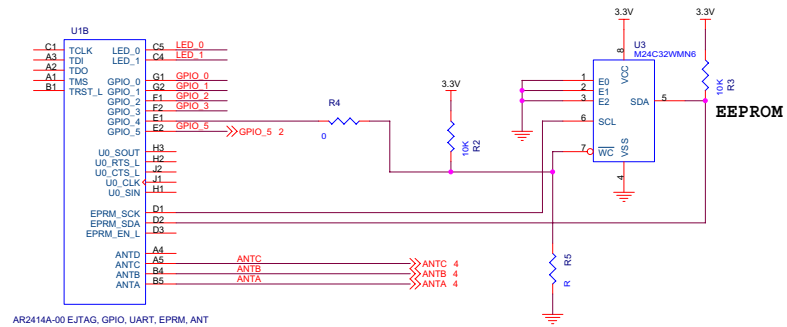
LEDS

IMPORTANT NOTE: NEVER INSTALL R69 AND R76.



BIASREF

XTAL



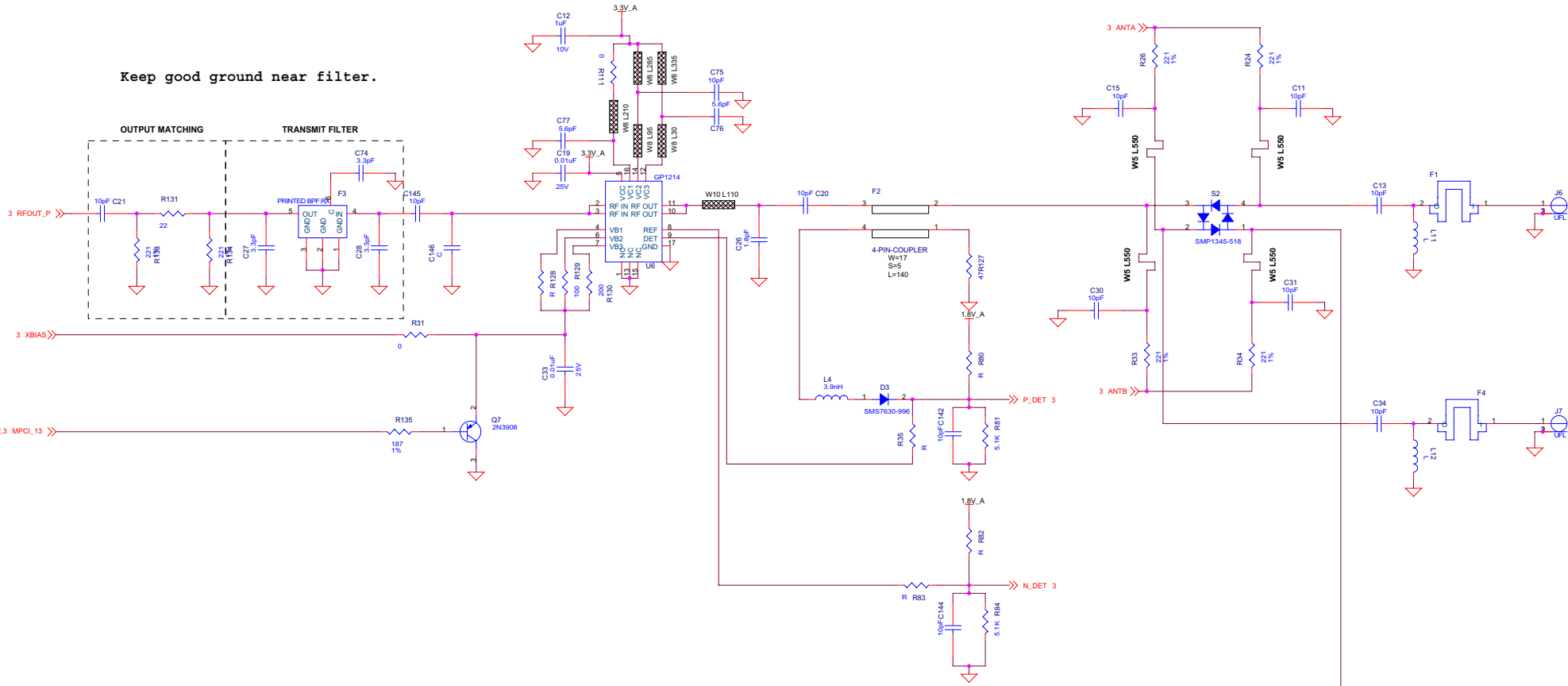
EEPROM

AR2414A-00 E.JTAG, GPIO, UART, EPRM, ANT

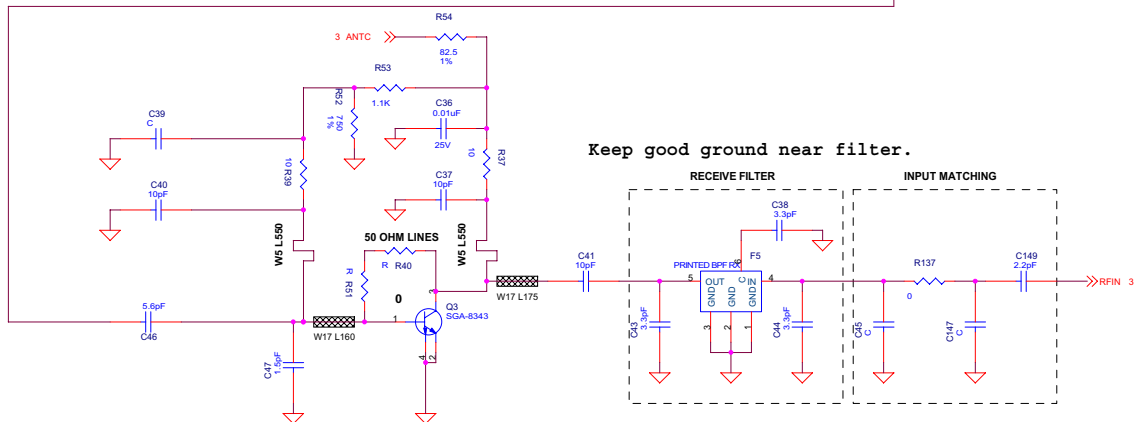
RFDATAIN\_3 = U0\_CTS\_L  
 RFDATAIN\_2 = U0\_CLK  
 RFDATAIN\_1 = U0\_SIN  
 RFDATAIN\_0 = EPRM\_SCK  
 RFDATAIN\_5 = EPRM\_SDA  
 RFRST = ANTID  
 RFRST\_1 = ANTB  
 RFRST\_2 = ANTA

**ATHEROS CONFIDENTIAL**  
**PRELIMINARY**

Keep good ground near filter.



Keep good ground near filter.



**ATHEROS CONFIDENTIAL**  
**PRELIMINARY**

# ATHEROS CONFIDENTIAL

## PRELIMINARY

